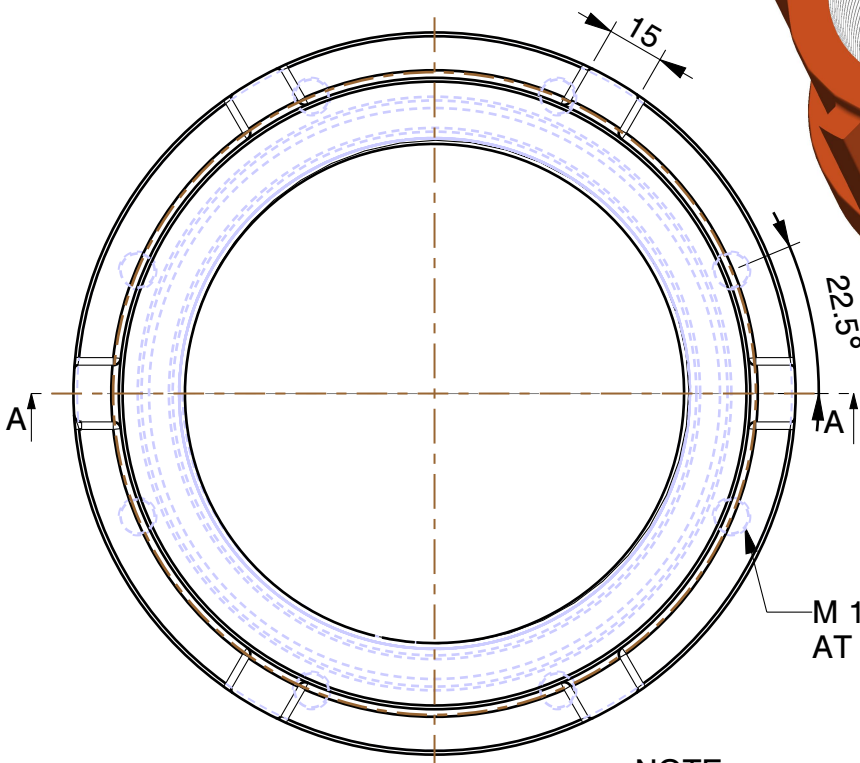
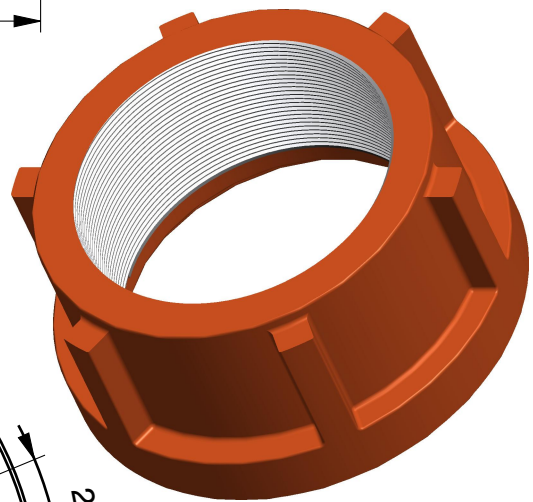


SECTION A-A



M 10 X 17 DEEP TAPPING  
AT P.C.D. 170 , 8 NOS.

NOTE:-

- 1).ALL DIMENSIONS ARE IN mm.
- 2).DO NOT SCALE,IF ANY DOUBT PLEASE ASK.
- 3).ALL DIMENSIONS ARE AS MACHINED.

**MICROCARE TECHNIQUES P. LTD.**

Survey No.11,Nr. Kalpataru Society,Village : Zundal.

Dist. :Gandhinagar-382421, Gujarat, INDIA. email: microcare25@microcaregroup.com

<b>PART NAME:</b>			<b>SCALE</b>
<b>NRV - 393 - SHORT</b>			1 / 2
<b>MATERIAL:</b>	<b>DESCRIPTION:</b>	<b>DATE</b>	
CAST IRON	Weight:--- 6.800 Kgs.	11-06-2011	