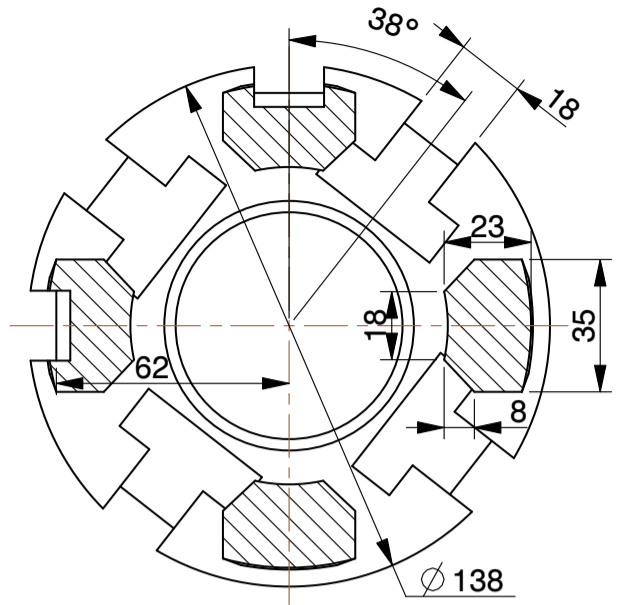


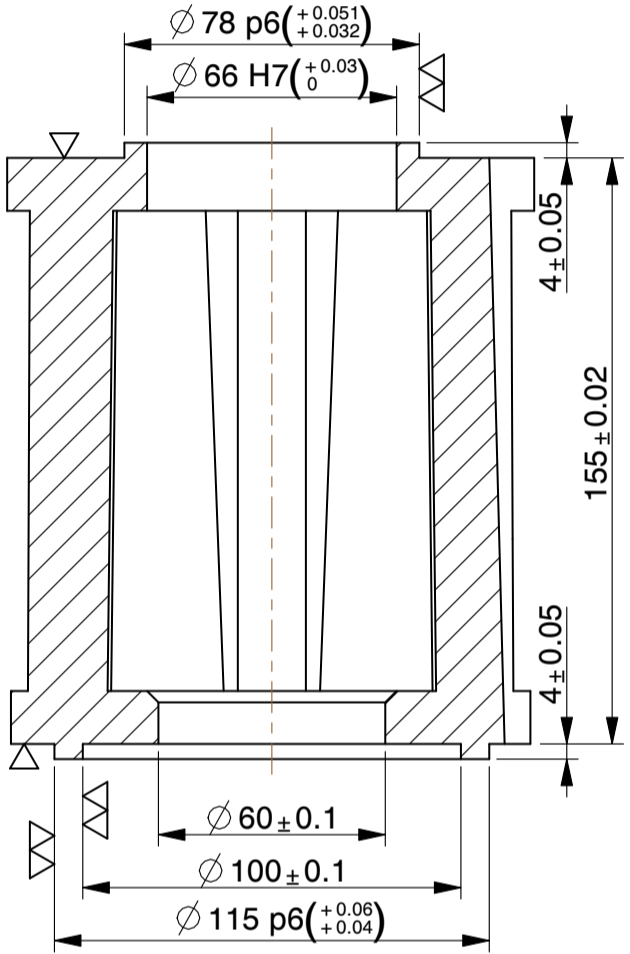
4 3 2 1

H
G
F
E
D
C
B
A

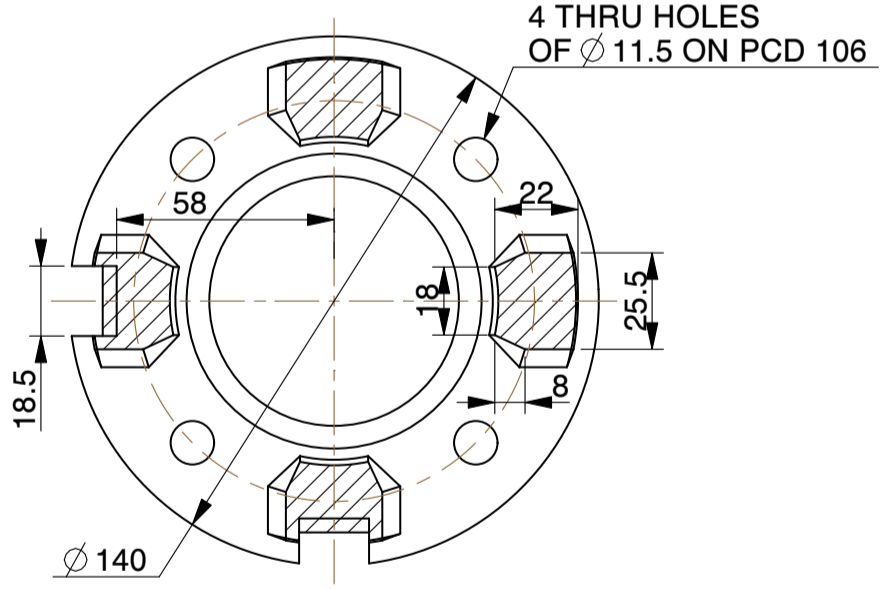
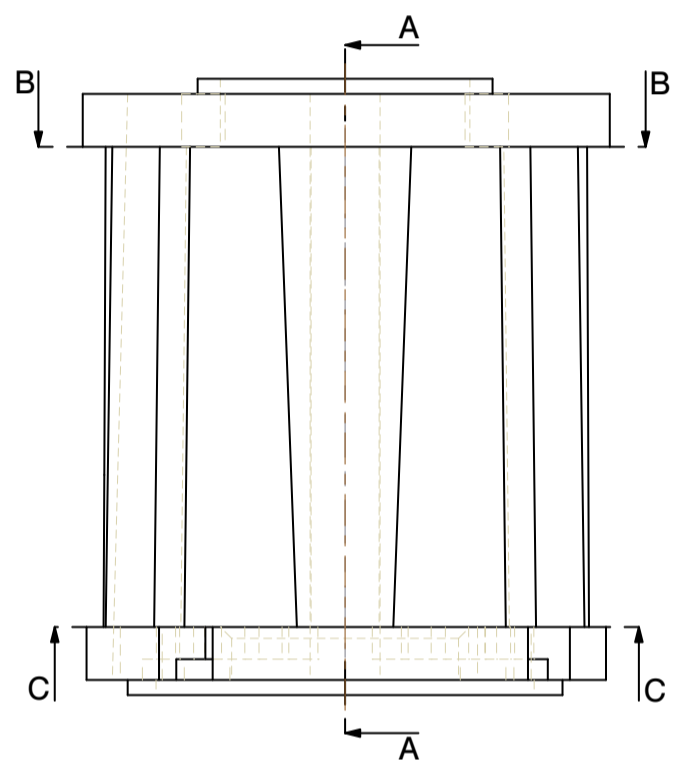
H
G
F
E
D
C
B
A



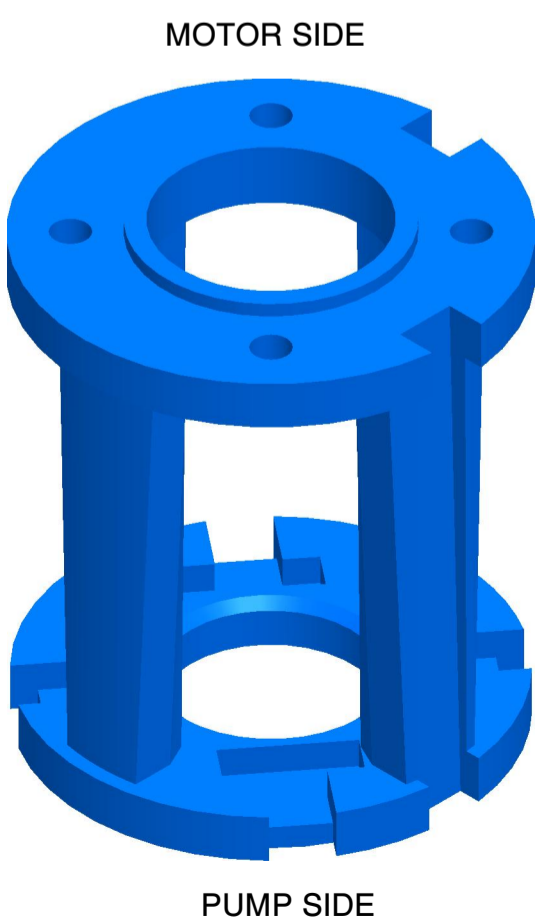
SECTION B-B



SECTION A-A



SECTION C-C



MOTOR SIDE

PUMP SIDE

- NOTE:-
- 1).ALL DIMENSIONS ARE IN mm.
 - 2).DO NOT SCALE,IF ANY DOUBT PLEASE ASK.
 - 3).ALL DIMENSIONS ARE AS MACHINED.

WEIGHT (AS CAST) :- 6.1 Kg.

MICROCARE TECHNIQUES P. LTD.		
<i>Survey No.11,Nr. Kalpataru Society, Village : Zundal. Dist. :Gandhinagar-382421, Gujarat, INDIA. email: microcare25@microcaregroup.com</i>		
PART NAME:		SCALE
IP 'K' TYPE - V6		1:2
MATERIAL:	DESCRIPTION:	DATE
CAST IRON	-	17-05-2011

Associated Model File Name : IP_K_TYPE