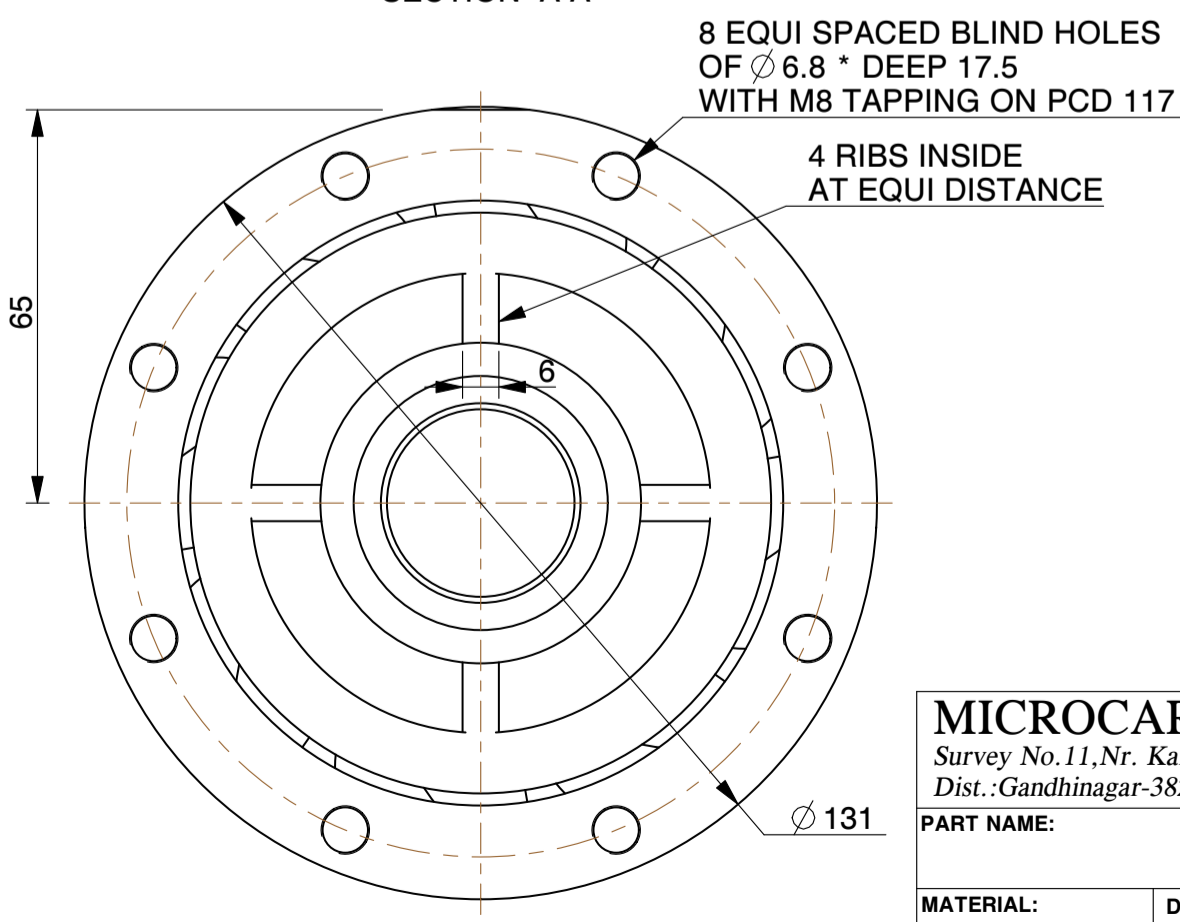
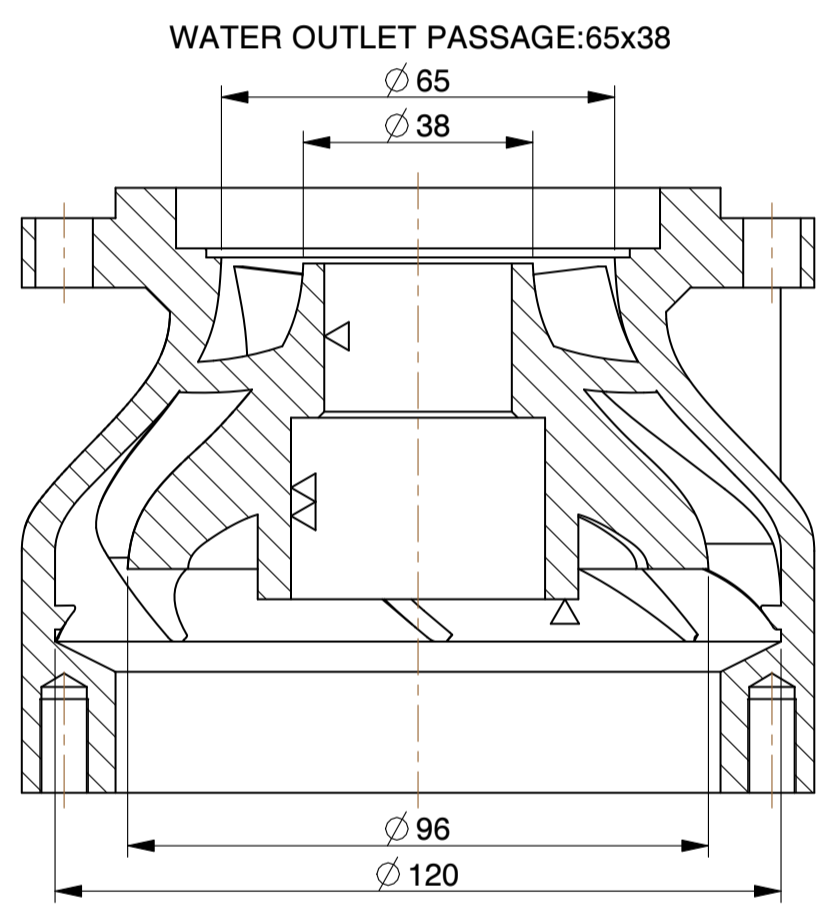
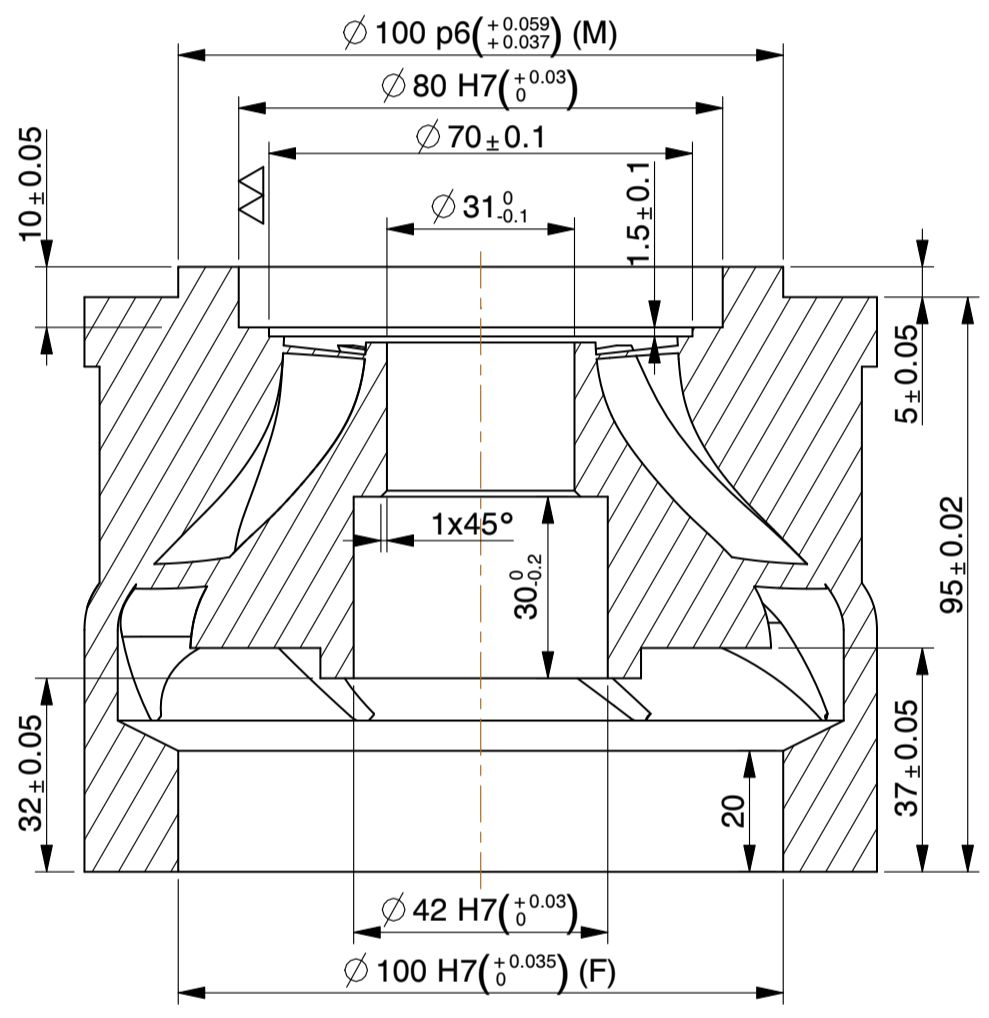
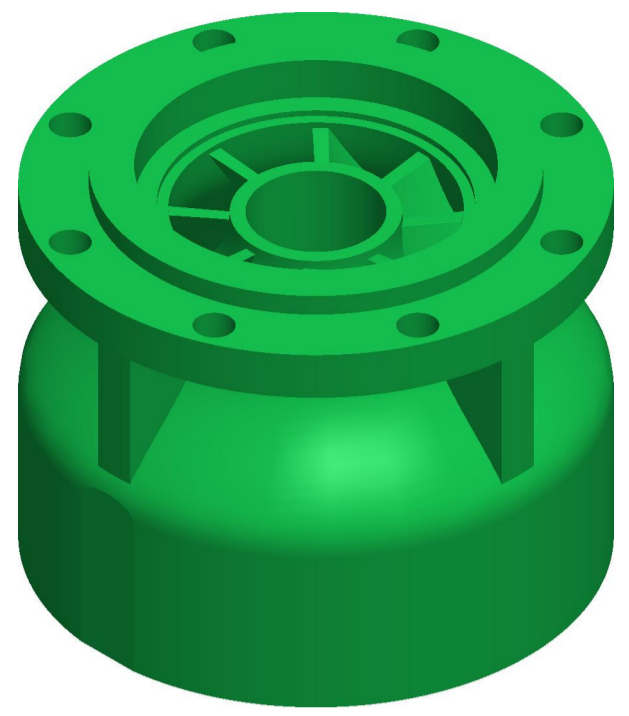
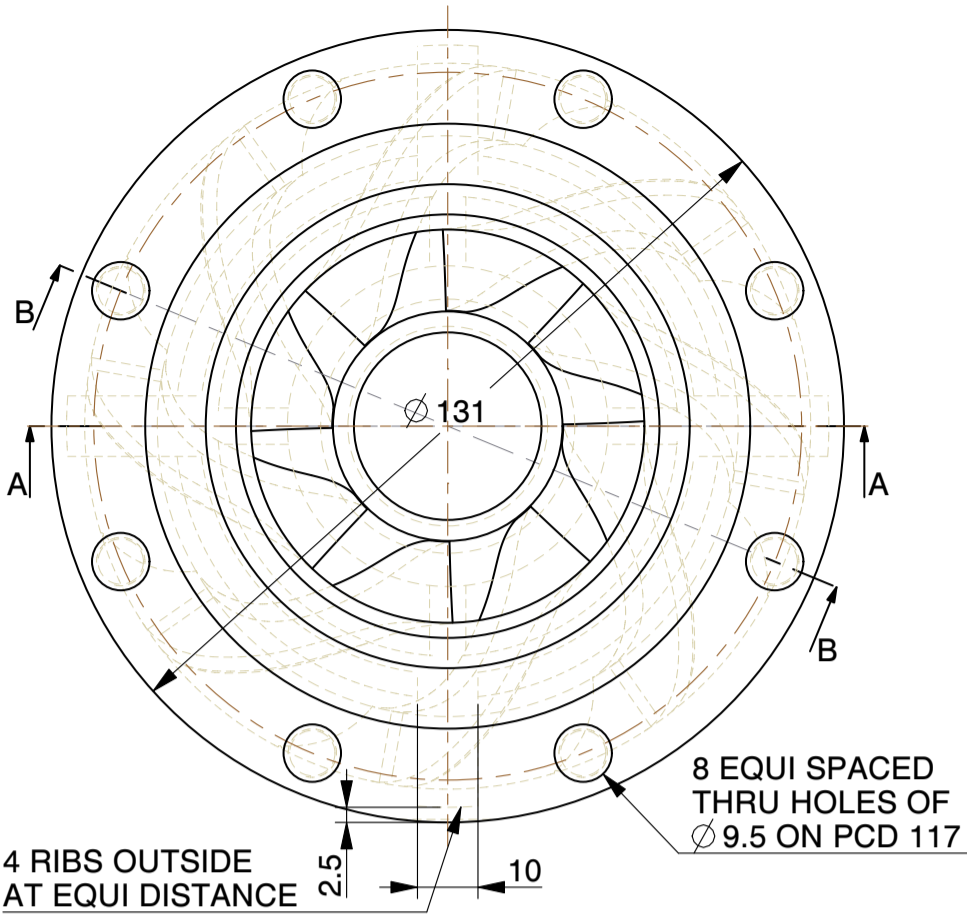


4 3 2 1

H G F E D C B A



VERTICAL GAP FOR IMPELLER MOVEMENT BETWEEN TWO BOWLS ASSEMBLY	42
WATER INLET PASSAGE:	120 x 96
WATER OUTLET PASSAGE:	65 x 38
WEIGHT (AS CAST)	4.6 Kg

NOTE :-
 1). ALL DIMENSIONS ARE IN mm
 2).DO NO SCALE,IF ANY DOUBT PLEASE ASK
 3).ALL DIMENSIONS ARE-AS MACHINED

MICROCARE TECHNIQUES P. LTD.
 Survey No.11,Nr. Kalpataru Society, Village : Zundal.
 Dist.:Gandhinagar-382421, Gujarat, INDIA. email: microcare25@microcargroup.com

PART NAME:	BOWL - 242	SCALE	1:1.25
MATERIAL:	CAST IRON	DATE	17-05-2011