

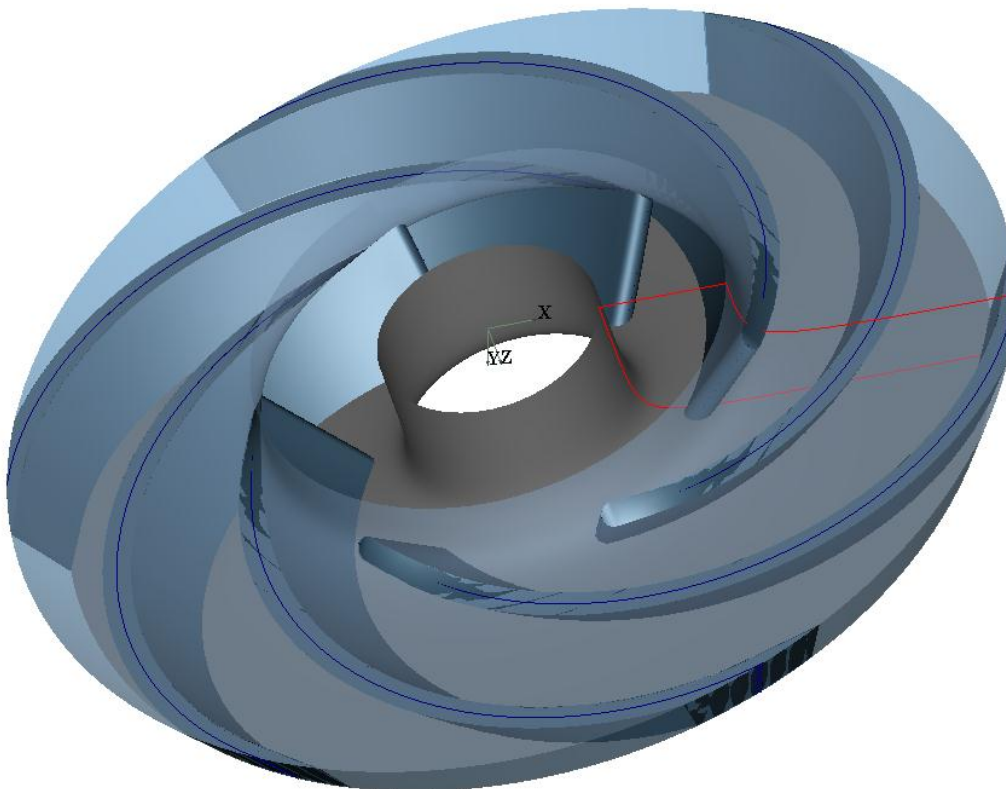
DETAILED BROCHURE - MR009B12

Technical Parameters

Model No	MR009B12
Type of flow	Radial flow
Borewell Size	6"
Flow Rate	09 m ³ /hr (150 LPM)
Head / Stage	12 Mtrs
Shut off Head	22.6 Mtrs
Power driven by pump / stage	0.443 KW (0.59 HP)
Pump Efficiency	66 %
Rated RPM	2880 @ 50 Hz
No. of Blades / Blade Shape	6 (CCW) / 3D
Production Method	Investment Casting
Compatible Diffuser Model No.	MRD009B012

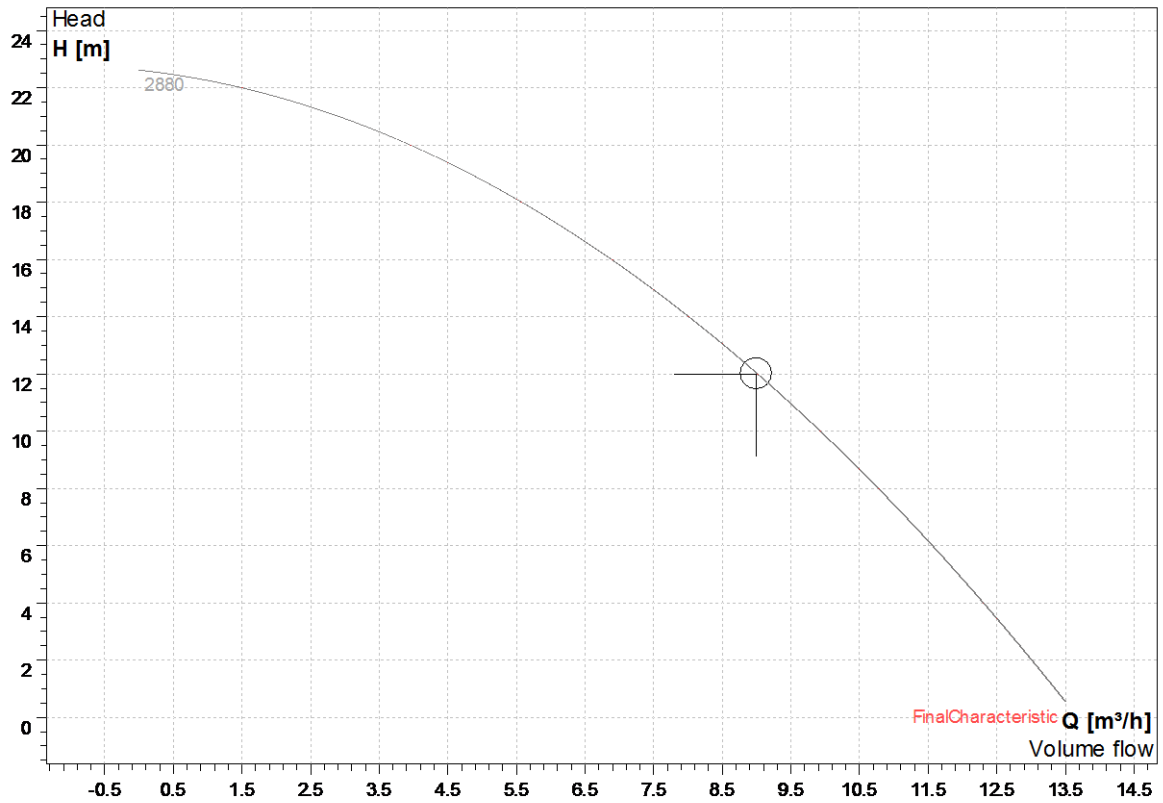
Pump Efficiency @ different Head				
	Head (Mtrs)	Flow Rate		Pump Efficiency (%)
		(m ³ /hr)	LPM	
1	12 (Duty Point)	09	150	66
2	10.80 (-10%)	10.99	167	58
3	15.00 (+25%)	8.53	133	65

Conceptual Design of Impeller

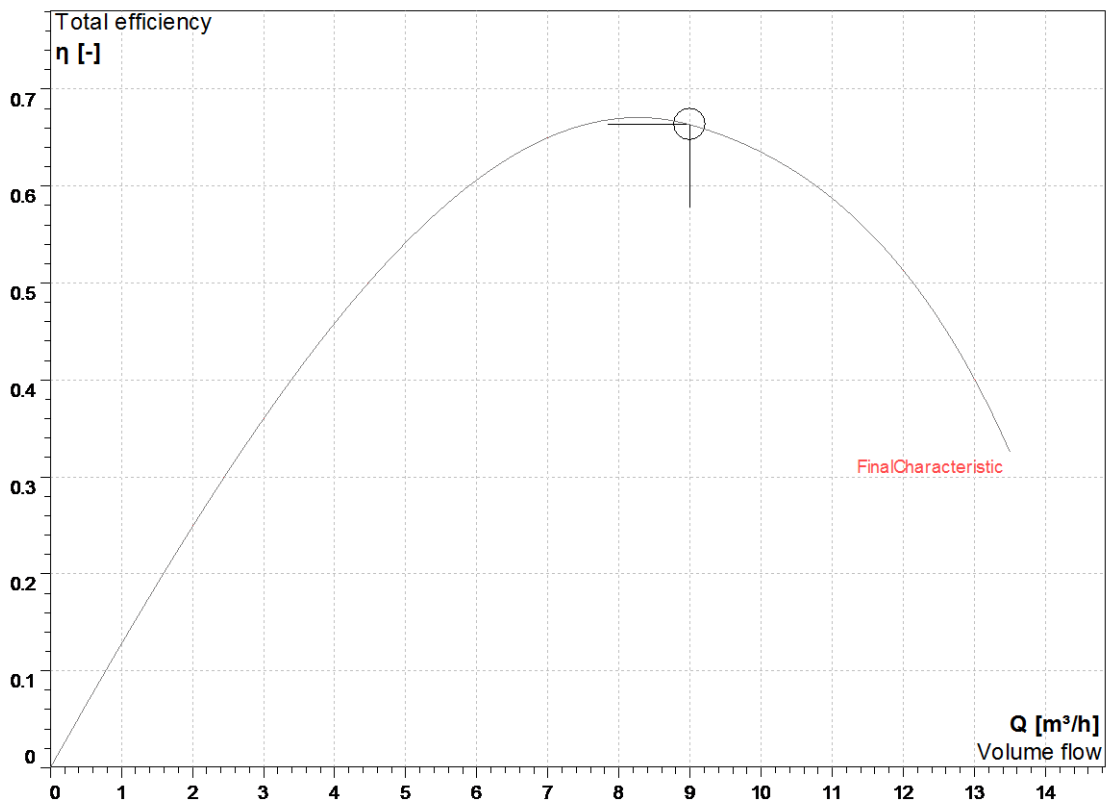


PERFORMANCE GRAPHS

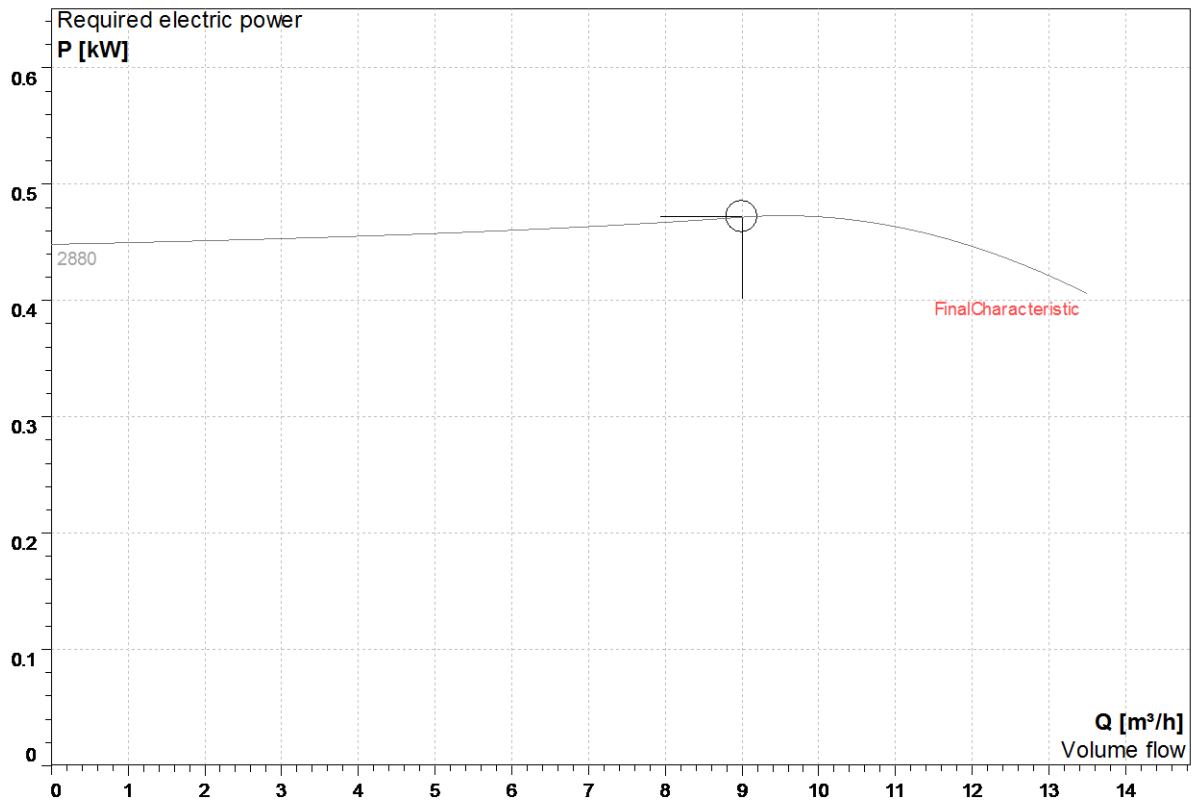
1. Volume Flow vs. Head



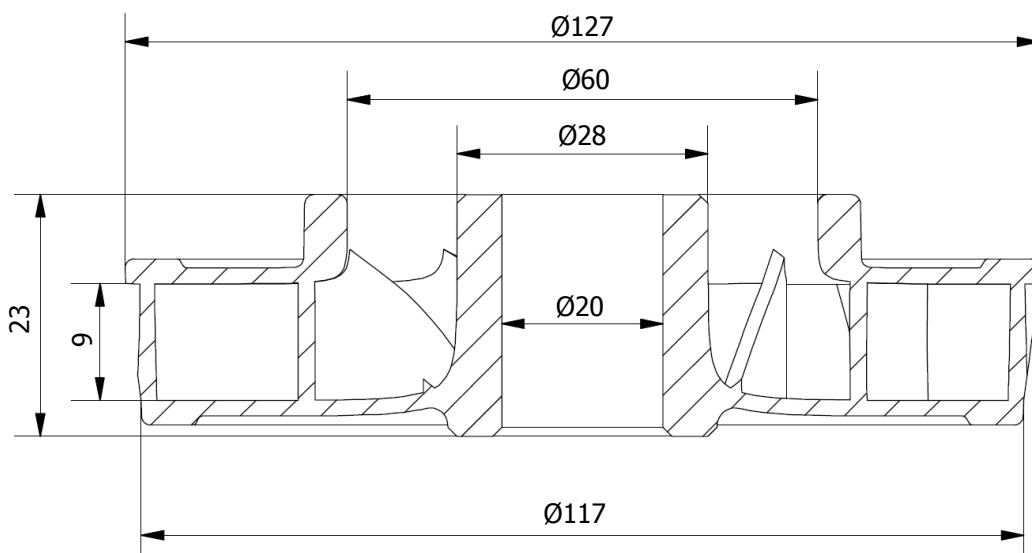
2. Volume Flow vs. Total Efficiency



3. Volume Flow vs. Required Driving Power



OVERALL DIMENSIONS (Not to Scale)



Note: All Dimensions are in mm.

For Your query related to this product please write us on microcare25@microcaregroup.com

Or fill up the Inquiry form given on our website. [Click here to open Inquiry page](#)