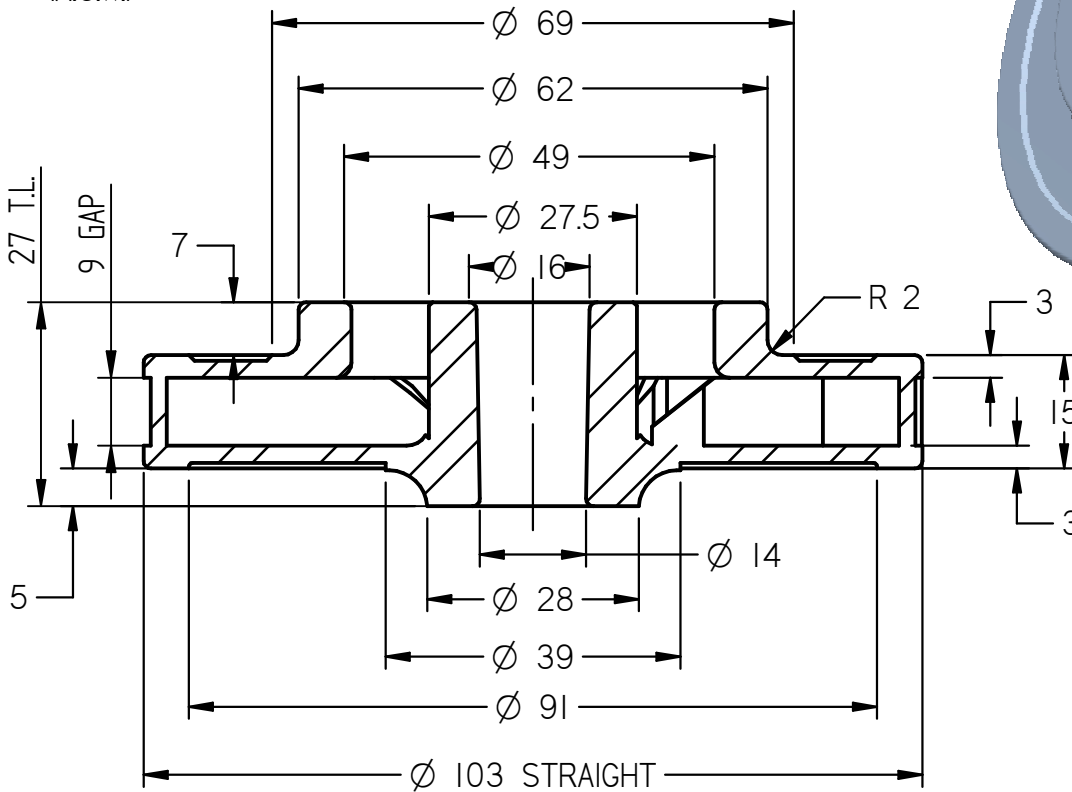


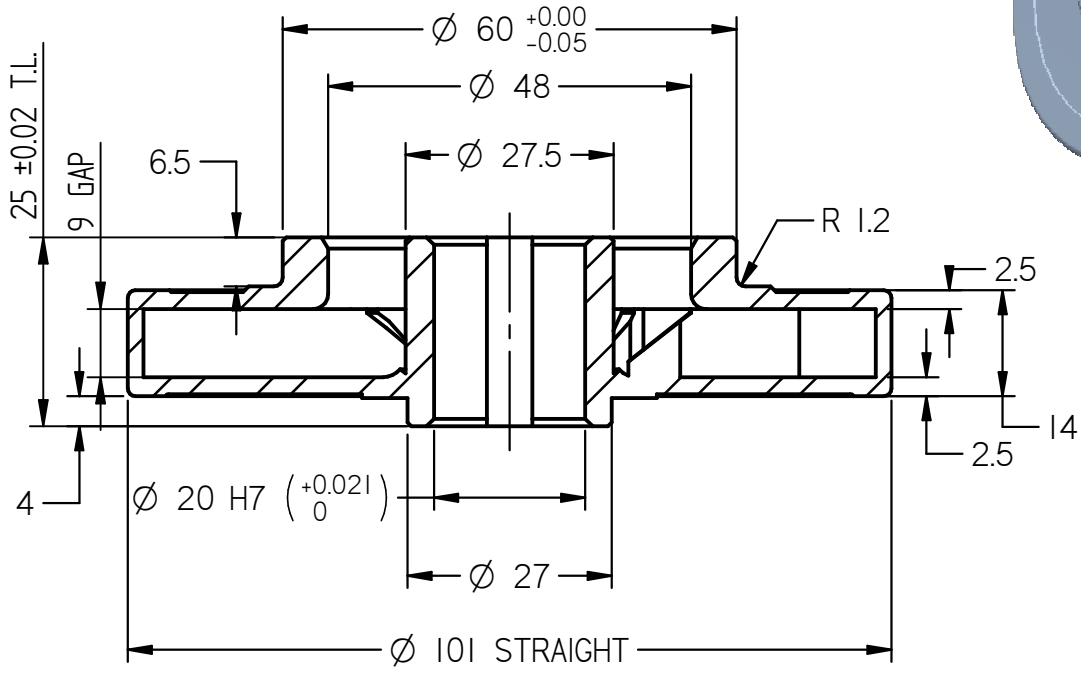
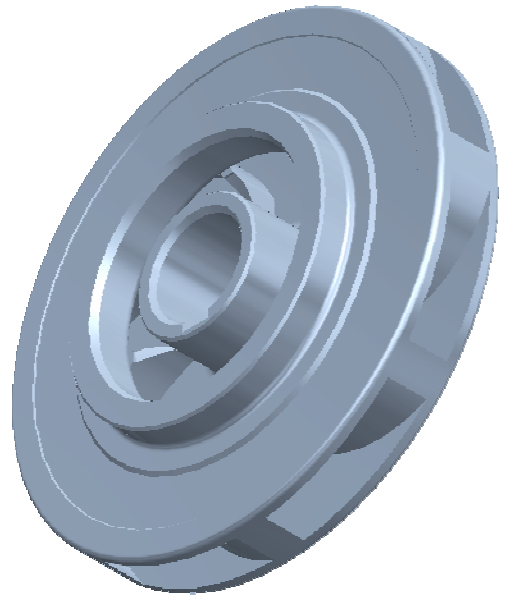
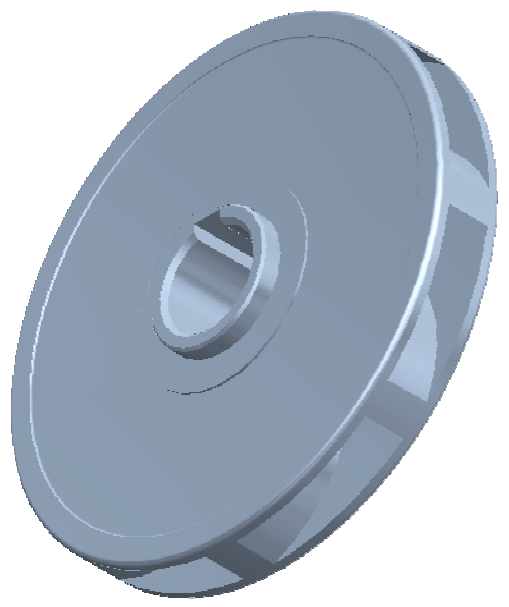
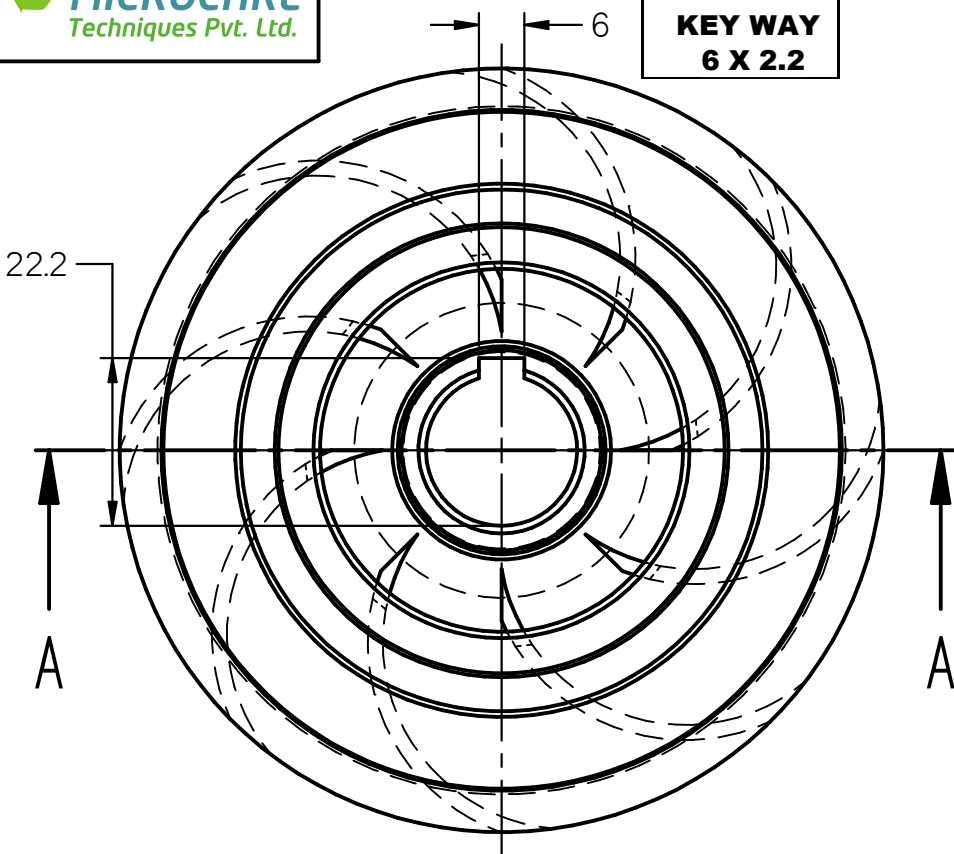
8 BLADES  
EQ. SP.  
(A.C.W.)



SECTION A-A

**NOTE : ALL DIMENSIONS ARE IN mm.  
DO NOT SCALE, IF ANY DOUBT PLEASE ASK.  
ALL DIMENSIONS ARE AS CAST**

Material : S.S. 410 / 304	Head :Duty Point/ Shut Off : 8 / 12 Mtrs.	<b>V6 RF IMPELLER</b>
Weight : 0.500 kg	Power : 0.7 H.P. / 0.52 K.W.	
Borewell : 6"	Flow : 14.40 M3 / Hr , 240 L.P.M.	<b>A-70 - GAP 9 mm</b>
Scale : N.T.S.	Nos. of Blades : 8 A.C.W.	
Date : 25. 01 . 2012	Motor R.P.M. : 2880	<b>Shell Mould</b>



**SECTION A-A**

**NOTE : ALL DIMENSIONS ARE IN mm.  
DO NOT SCALE, IF ANY DOUBT PLEASE ASK.  
ALL DIMENSIONS ARE MACHININED**

<b>Material</b> : S.S. 410 / 304	<b>Head :Duty Point/ Shut Off</b> : 8 / 12 Mtrs.	<b>V6 RF IMPELLER</b>
<b>Weight</b> : 0.400 kg	<b>Power</b> : 0.7 H.P. / 0.52 K.W.	
<b>Borewell</b> : 6"	<b>Flow</b> : 14.40 M3 / Hr , 240 L.P.M.	<b>A-70 - GAP 9 mm</b>
<b>Scale</b> : N.T.S.	<b>Nos. of Blades</b> : 8 A.C.W.	
<b>Date</b> : 25. 01 . 2012	<b>Motor R.P.M.</b> : 2880	<b>Shell Mould</b>