

NOTE : ALL DIMENSIONS ARE IN mm.

DO NOT SCALE, IF ANY DOUBT PLEASE ASK.

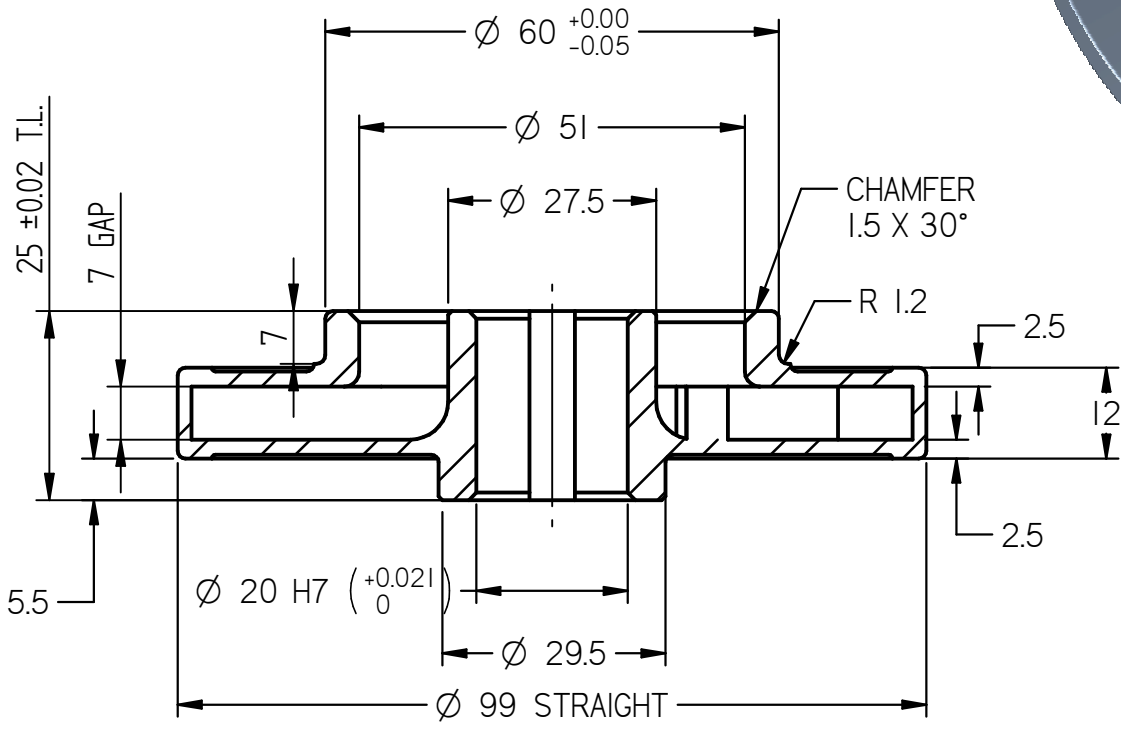
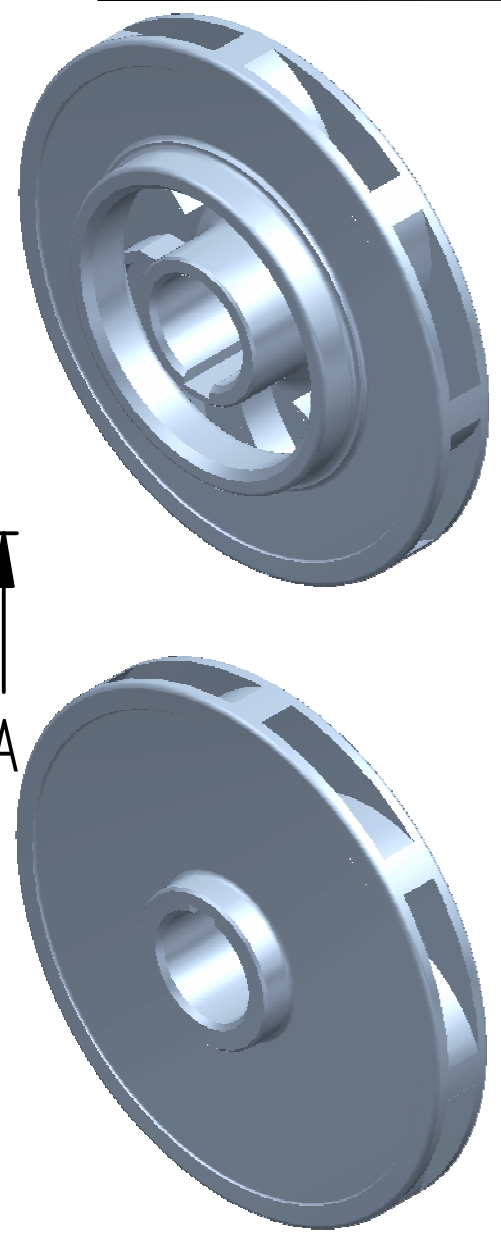
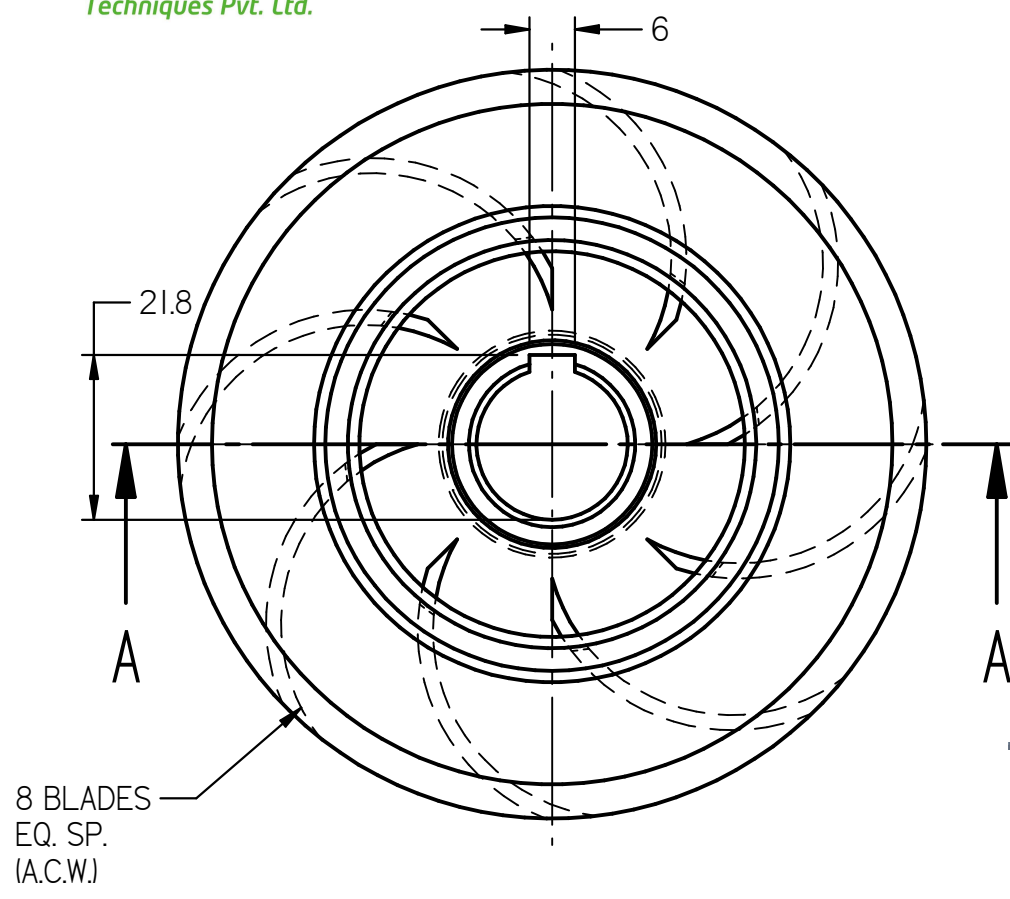
ALL DIMENSIONS ARE AS CAST

SECTION A-A

Material : S.S. 410	Head : Duty Point / Shut Off : 8 / 12 Mtrs.	MS 60 RF IMPELLER
Weight : 0.500 kg	Power : 0.6 H.P. / 0.45 K.W.	
Borewell : 6"	Flow : 13.2 M3 / Hr , 220 L.P.M.	GAP 7 mm
Scale : N.T.S.	Nos. of Blades : 8 ACW	Shell Mould
Date : 10 . 01 . 2012	Motor R.P.M. : 2880	

**KEY WAY
6 X 1.8**

MODEL DRG. NO : MS-156-M



SECTION A-A

**NOTE : ALL DIMENSIONS ARE IN mm.
DO NOT SCALE, IF ANY DOUBT PLEASE ASK.
ALL DIMENSIONS ARE MACHININED**

Material : S.S. 410	Head : Duty Point / Shut Off : 8 / 12 Mtrs.	MS 60 RF IMPELLER
Weight : 0.450 kg	Power : 0.6 H.P. / 0.45 K.W.	
Borewell : 6"	Flow : 13.2 M3 / Hr , 220 L.P.M.	GAP 7 mm
Scale : N.T.S.	Nos. of Blades : 8 ACW	Shell Mould
Date : 10 . 01 . 2012	Motor R.P.M. : 2880	