

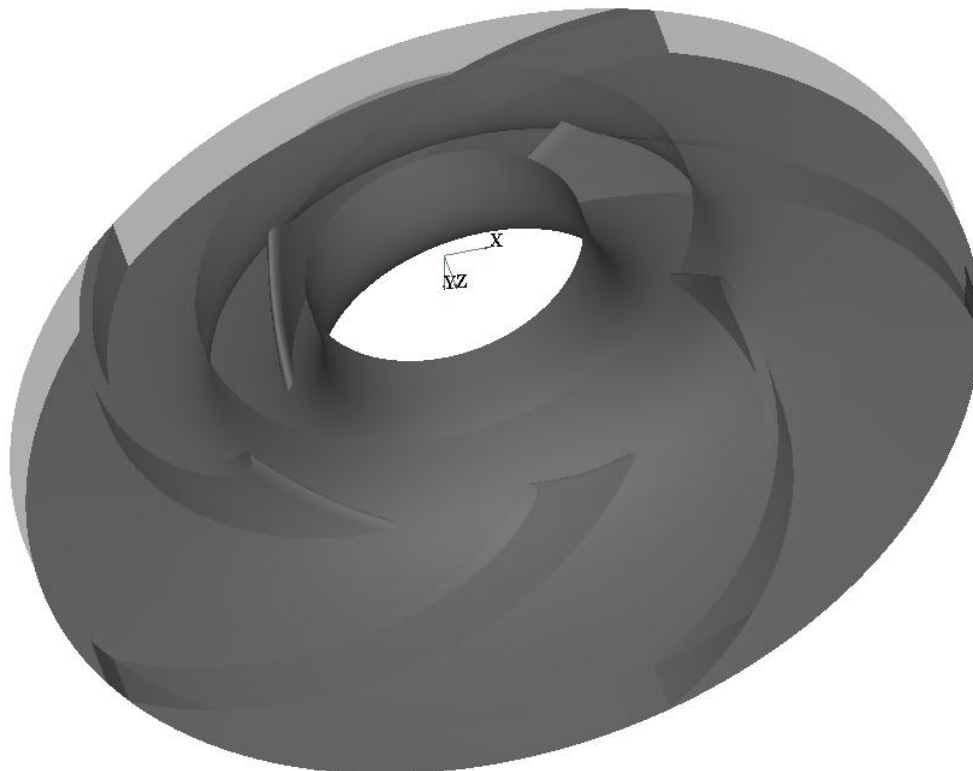
DETAILED BROCHURE - MR016B08

Technical Parameters

Model No	MR016B08
Type of flow	Radial flow
Borewell Size	6"
Flow Rate	16 m ³ /hr (267 LPM)
Head / Stage	8.5 Mtrs
Shut off Head	11.25 Mtrs
Power driven by pump / stage	0.48 KW (0.64 HP)
Pump Efficiency	76 %
Rated RPM	2850 @ 50 Hz
No. of Blades	7 (CCW)
Production Method	Investment Casting / Shell Moulding
Compatible Bowl Model No.	MMD016B08

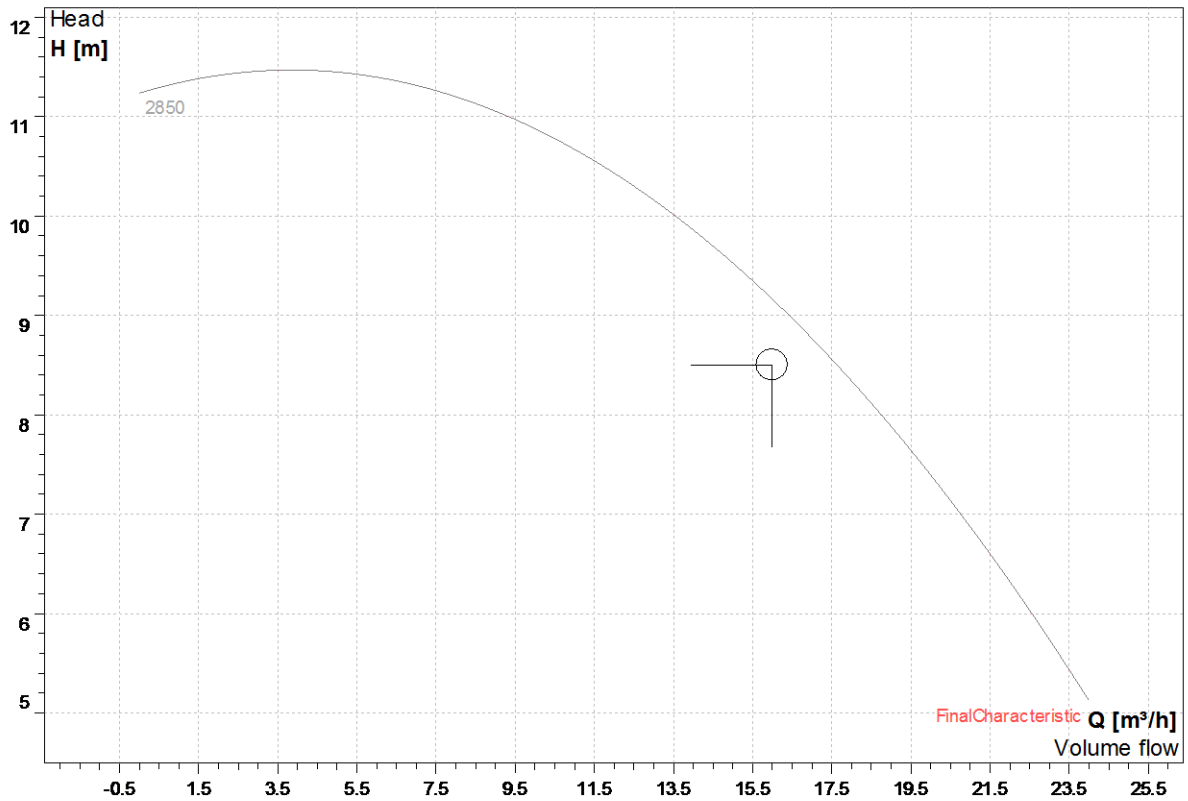
Pump Efficiency @ different Head				
	Head (Mtrs)	Flow Rate		Pump Efficiency (%)
		(m ³ /hr)	LPM	
1	8.5 (Duty Point)	16	267	76
2	7.65 (-10%)	12.27	204	70
3	10.63 (+25%)	11.06	184	68

Conceptual Design of Impeller

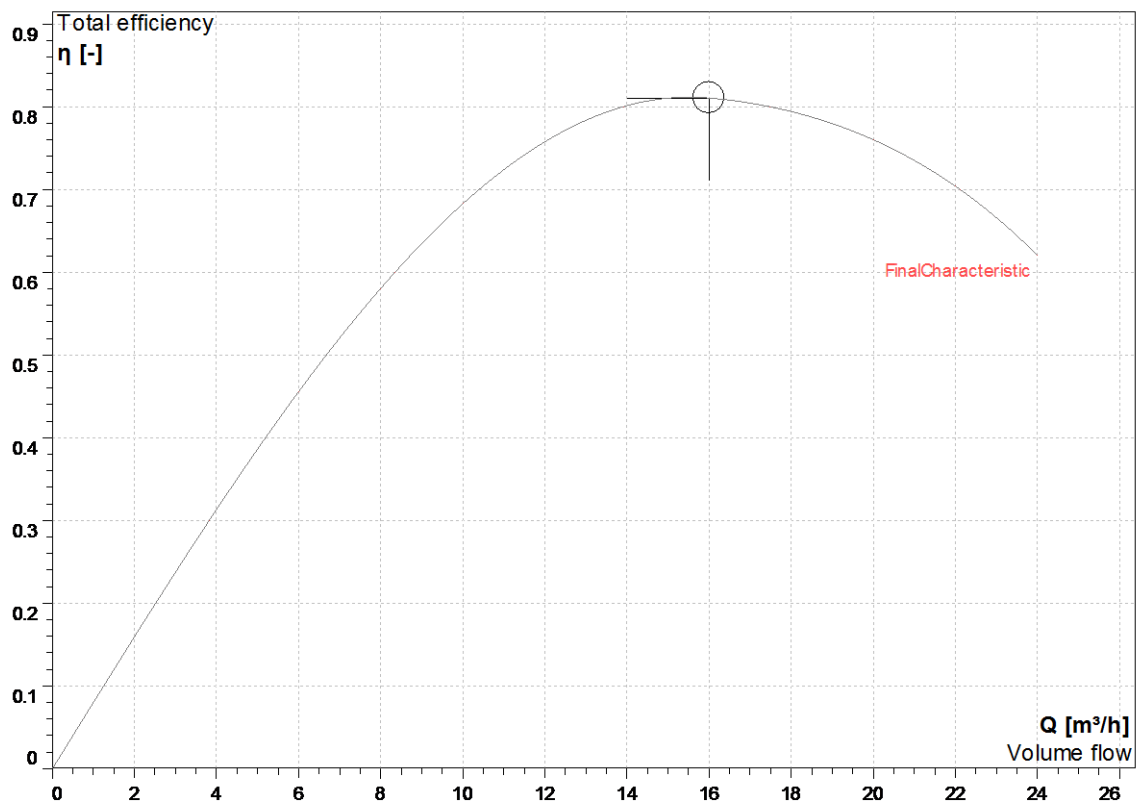


PERFORMANCE GRAPHS

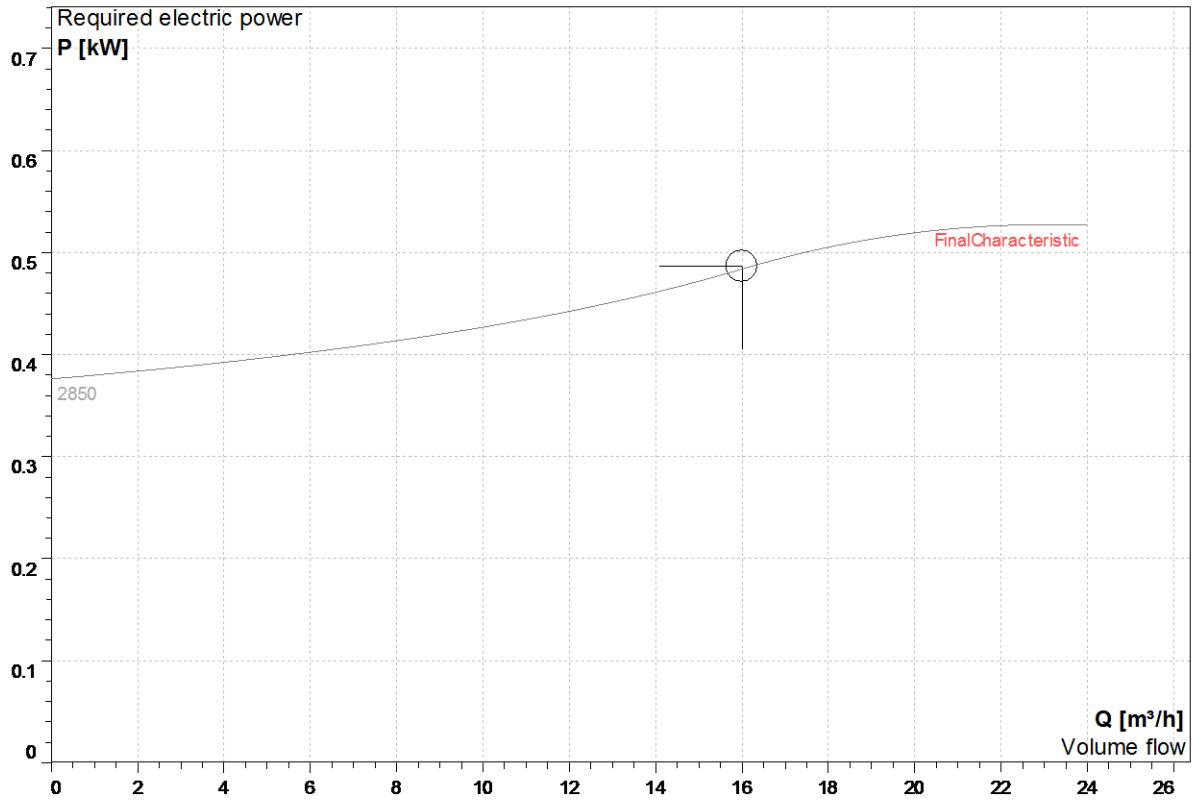
1. Volume Flow vs. Head



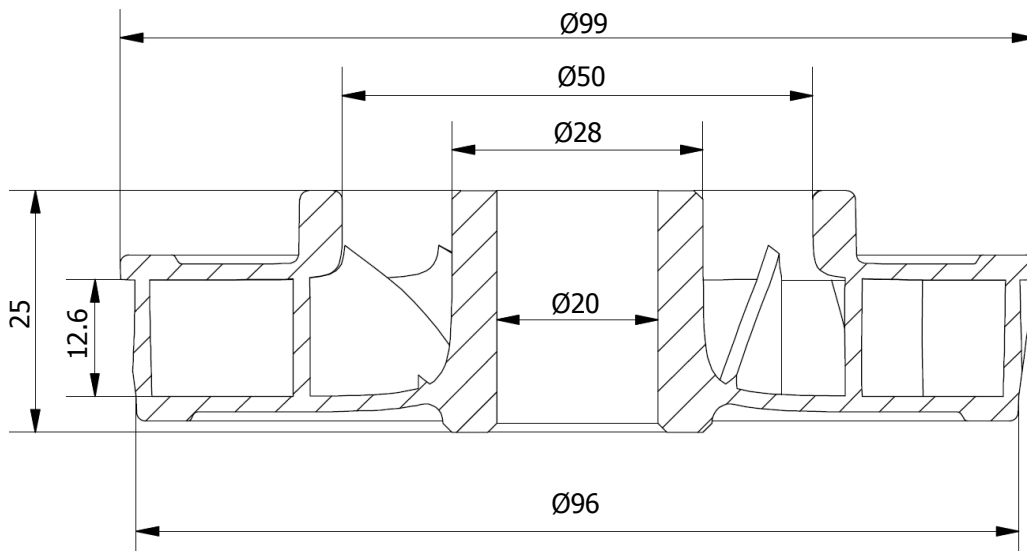
2. Volume Flow vs. Total Efficiency



3. Volume Flow vs. Required Driving Power



OVERALL DIMENSIONS (Not to Scale)



Note: All Dimensions are in mm.

For Your query related to this product please write us on microcare25@microcaregroup.com

Or fill up the Inquiry form given on our website. [Click here to open Inquiry page](#)