

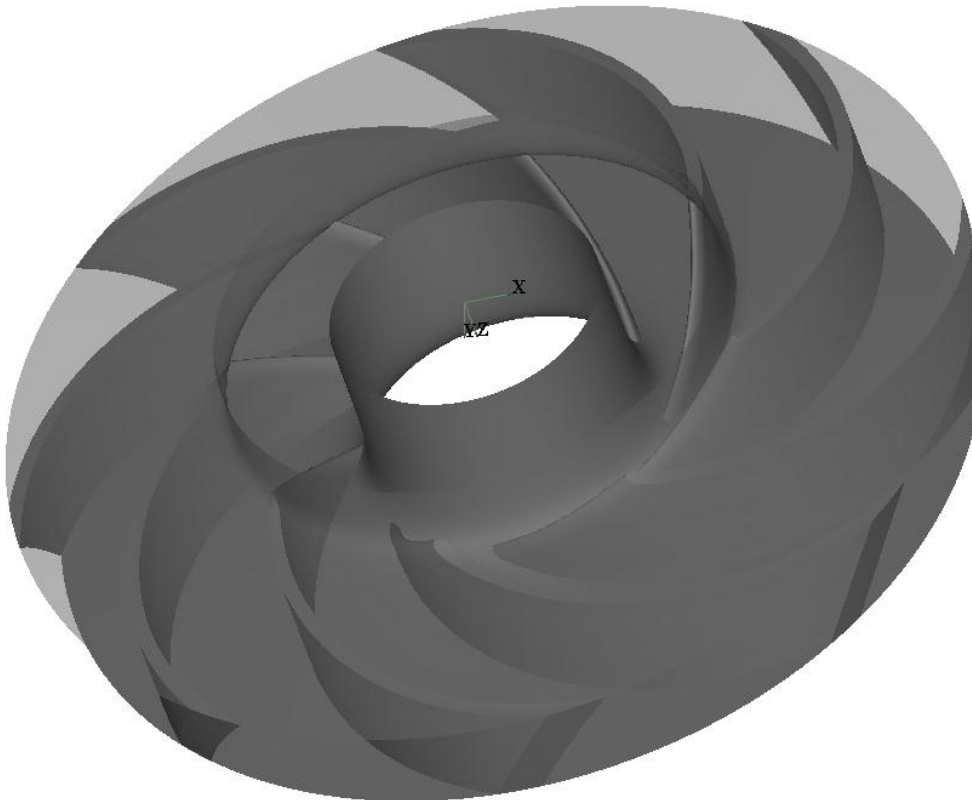
# DETAILED BROCHURE - MR020B09

## Technical Parameters

Model No	MR020B09
Type of flow	Radial flow
Borewell Size	6"
Flow Rate	20 m <sup>3</sup> /hr ( 333 LPM)
Head / Stage	9 Mtrs
Shut off Head	13 Mtrs
Power driven by pump / stage	0.65 KW (0.87 HP)
Pump Efficiency	78 %
Rated RPM	2850 @ 50 Hz
No. of Blades	8 (CCW)
Production Method	Investment Casting / Shell Moulding
Compatible Bowl Model No.	MMD020B09

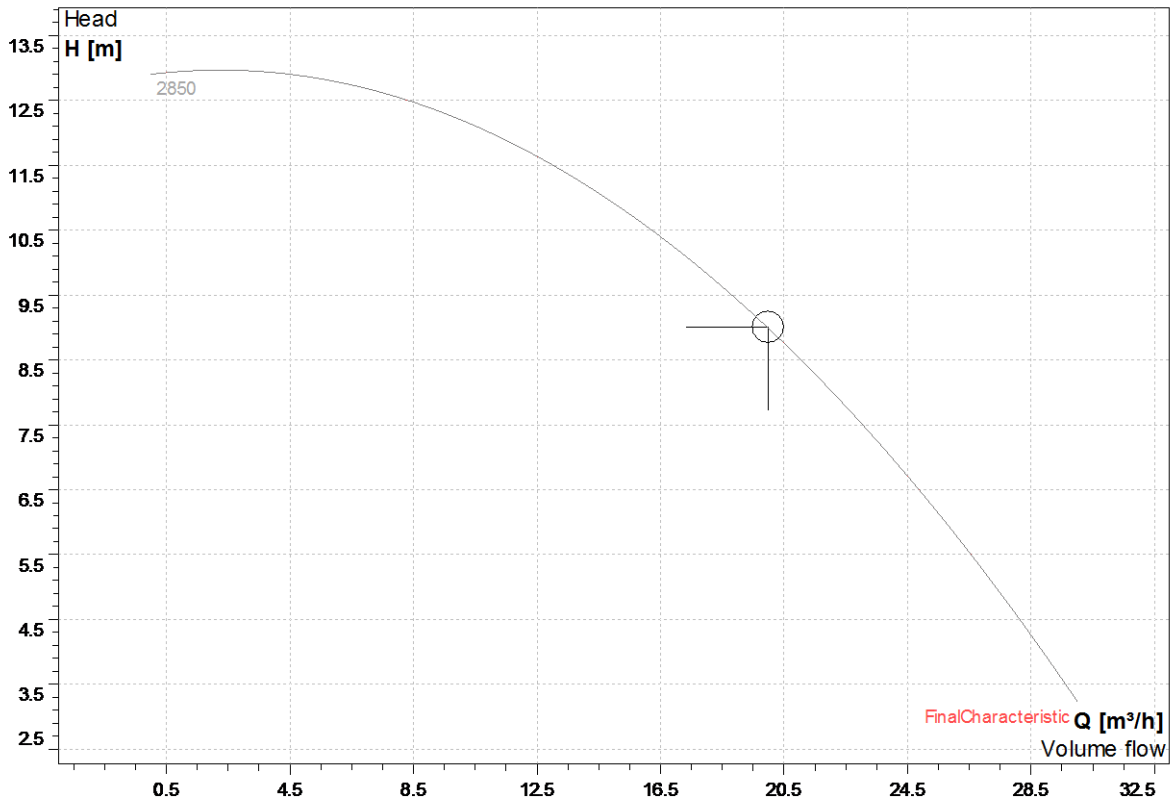
Pump Efficiency @ different Head				
	Head (Mtrs)	Flow Rate		Pump Efficiency (%)
		(m <sup>3</sup> /hr)	LPM	
<b>1</b>	9 (Duty Point)	20	333	78
<b>2</b>	8.10 (-10%)	21.89	365	75
<b>3</b>	11.25 (+25%)	13.94	232	69

## Conceptual Design of Impeller

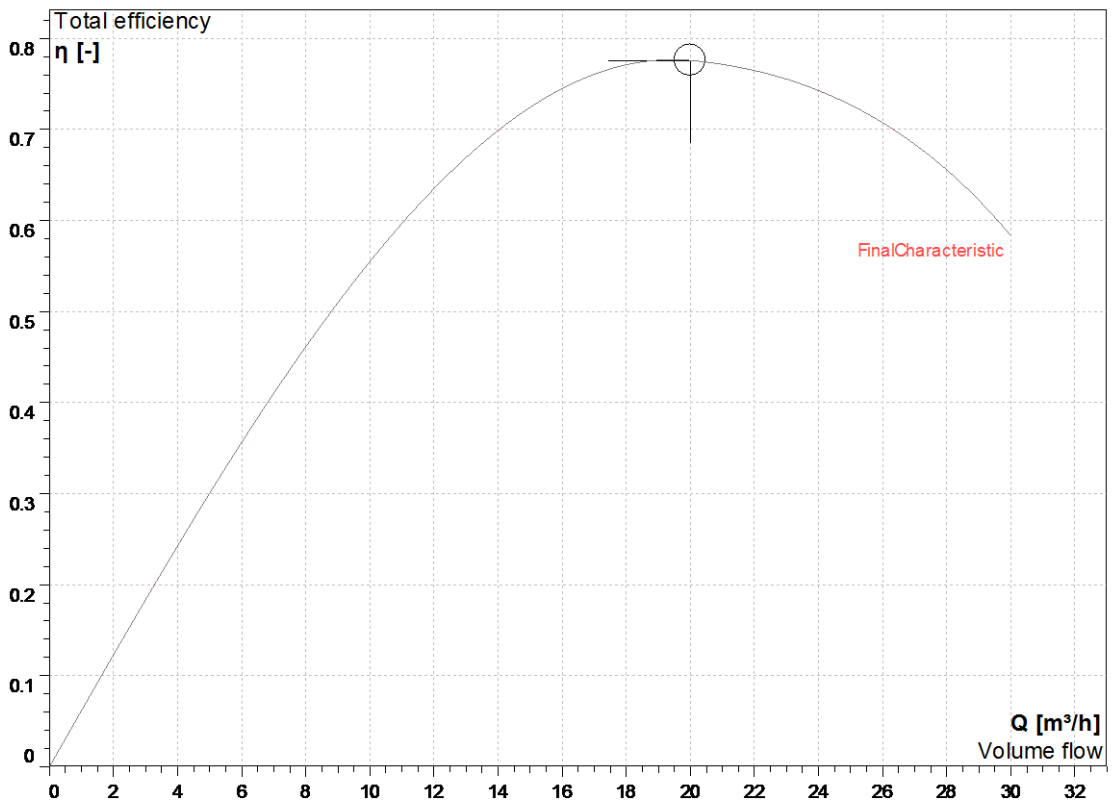


## PERFORMANCE GRAPHS

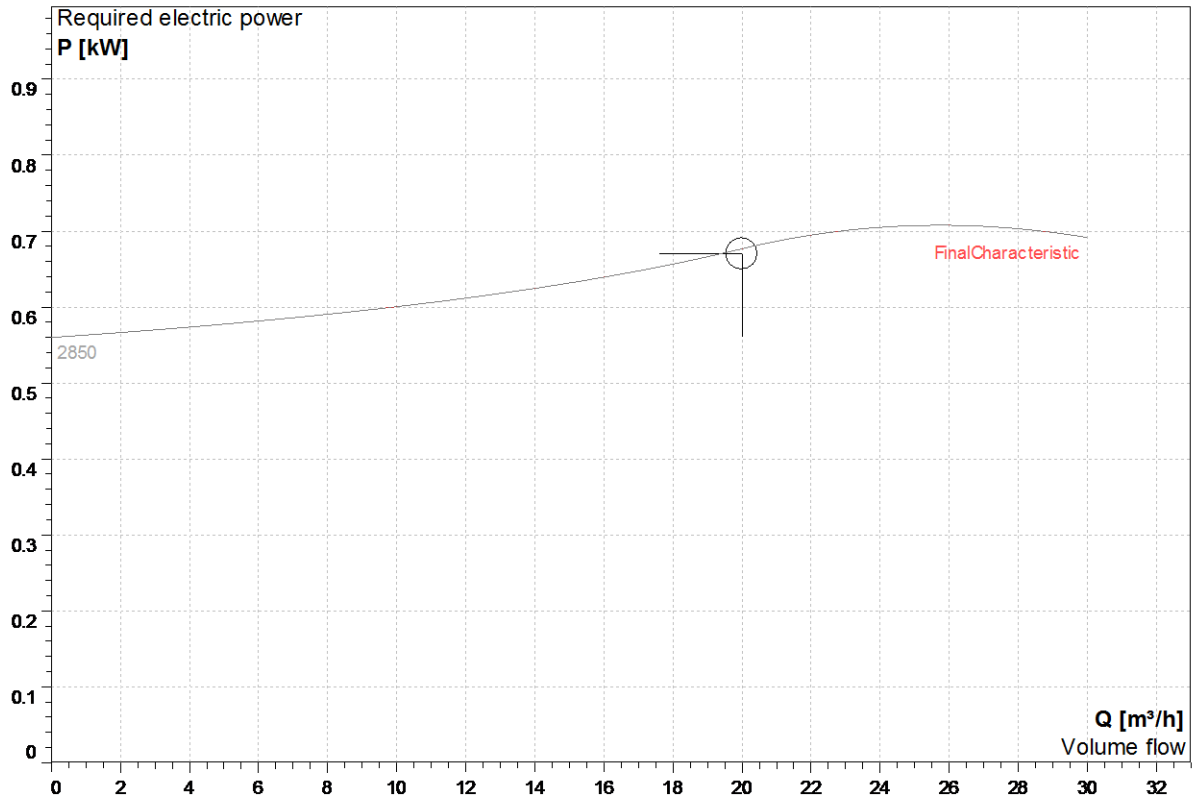
### 1. Volume Flow vs. Head



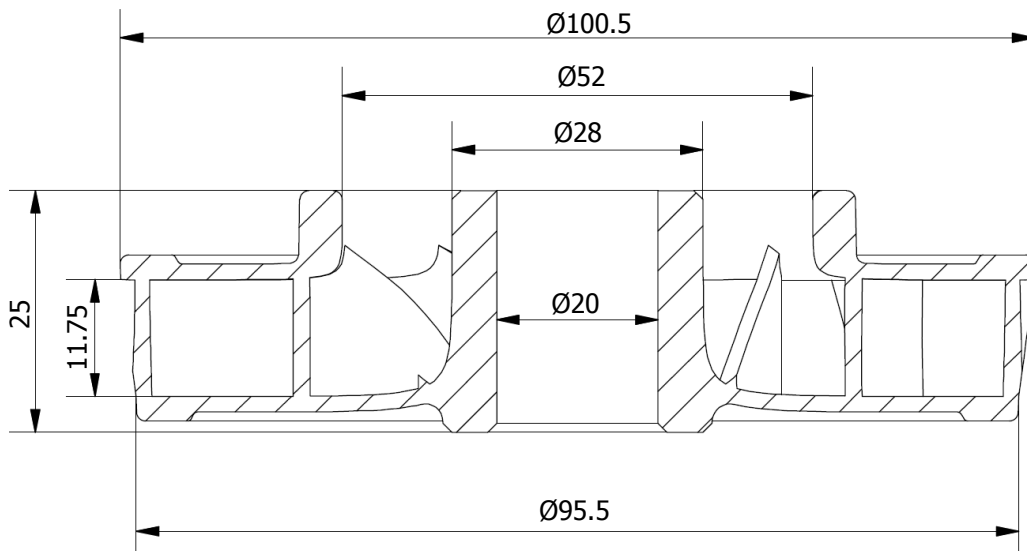
### 2. Volume Flow vs. Total Efficiency



### 3. Volume Flow vs. Required Driving Power



### OVERALL DIMENSIONS (Not to Scale)



**Note:** All Dimensions are in mm.

For Your query related to this product please write us on [microcare25@microcaregroup.com](mailto:microcare25@microcaregroup.com)

Or fill up the Inquiry form given on our website. [Click here to open Inquiry page](#)