

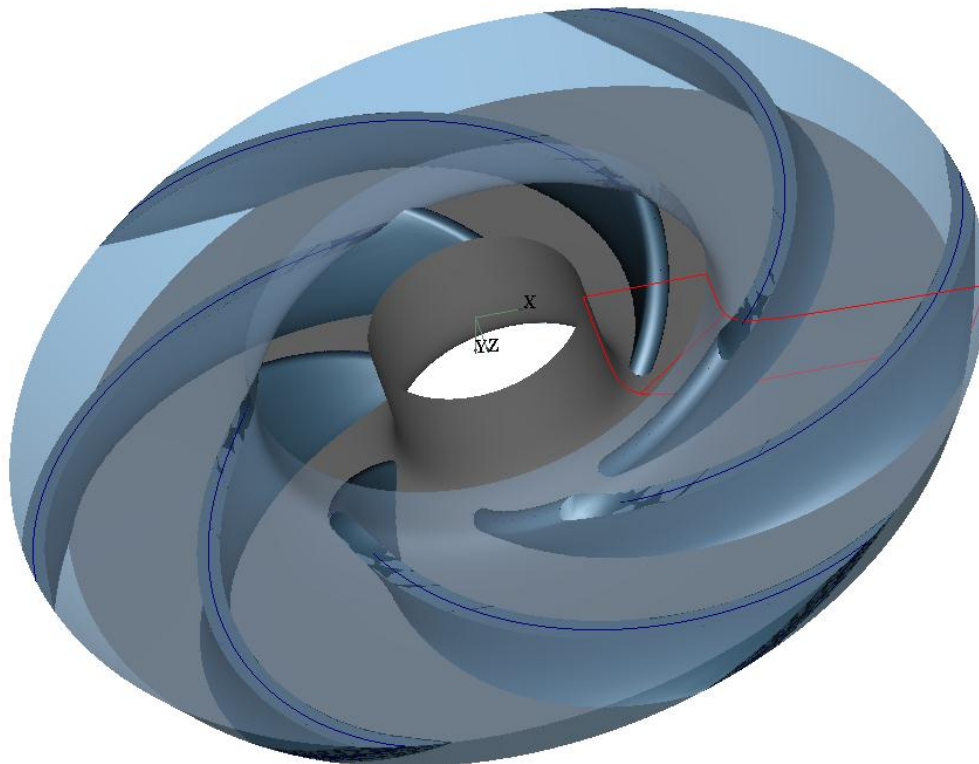
# DETAILED BROCHURE - MR016B12

## Technical Parameters

Model No	MR016B12
Type of flow	Radial flow
Borewell Size	6"
Flow Rate	016.5 m <sup>3</sup> /hr ( 275 LPM)
Head / Stage	12 Mtrs
Shut off Head	21.6 Mtrs
Power driven by pump / stage	0.726 KW (0.97 HP )
Pump Efficiency	74 %
Rated RPM	2880 @ 50 Hz
No. of Blades / Blade Shape	6 (CCW) / 3D
Production Method	Investment Casting
Compatible Diffuser Model No.	MRD016B012

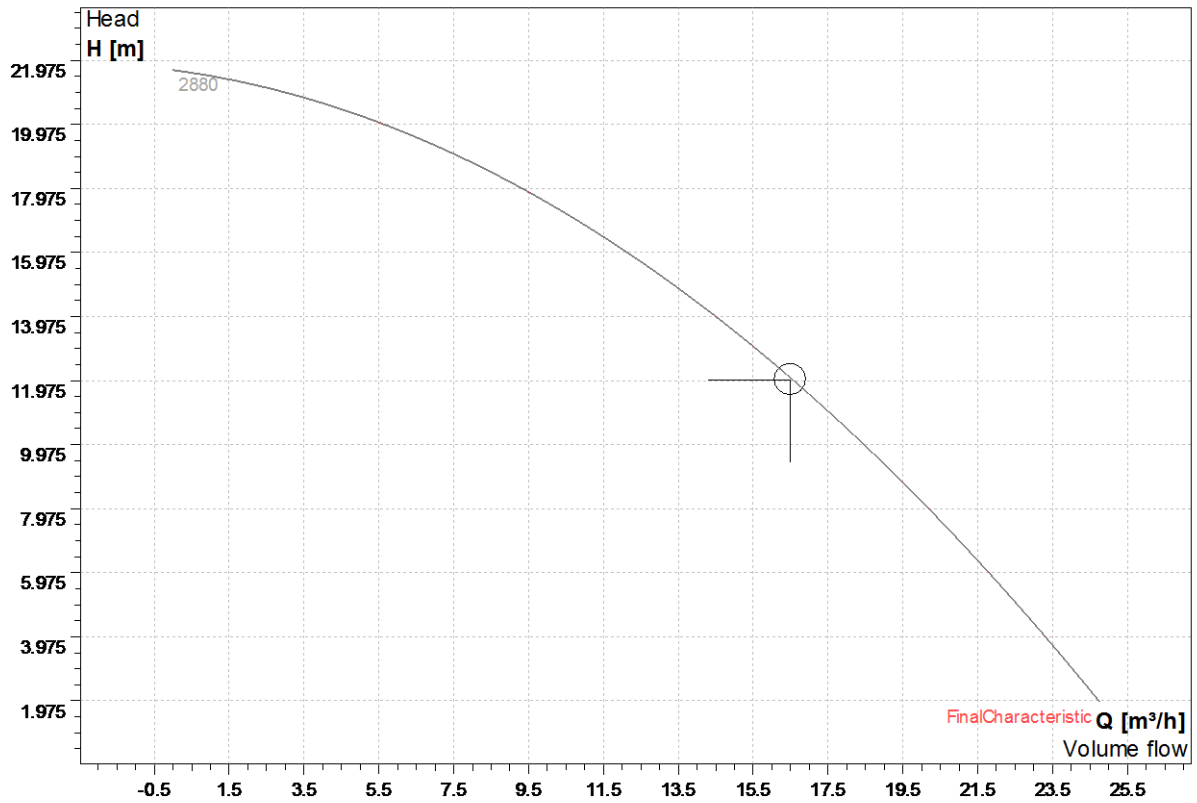
Pump Efficiency @ different Head				
	Head (Mtrs)	Flow Rate		Pump Efficiency (%)
		(m <sup>3</sup> /hr)	LPM	
<b>1</b>	12 (Duty Point)	016.5	275	74
<b>2</b>	10.80 (-10%)	19.19	317	71
<b>3</b>	15.00 (+25%)	14.4	233	73

## Conceptual Design of Impeller

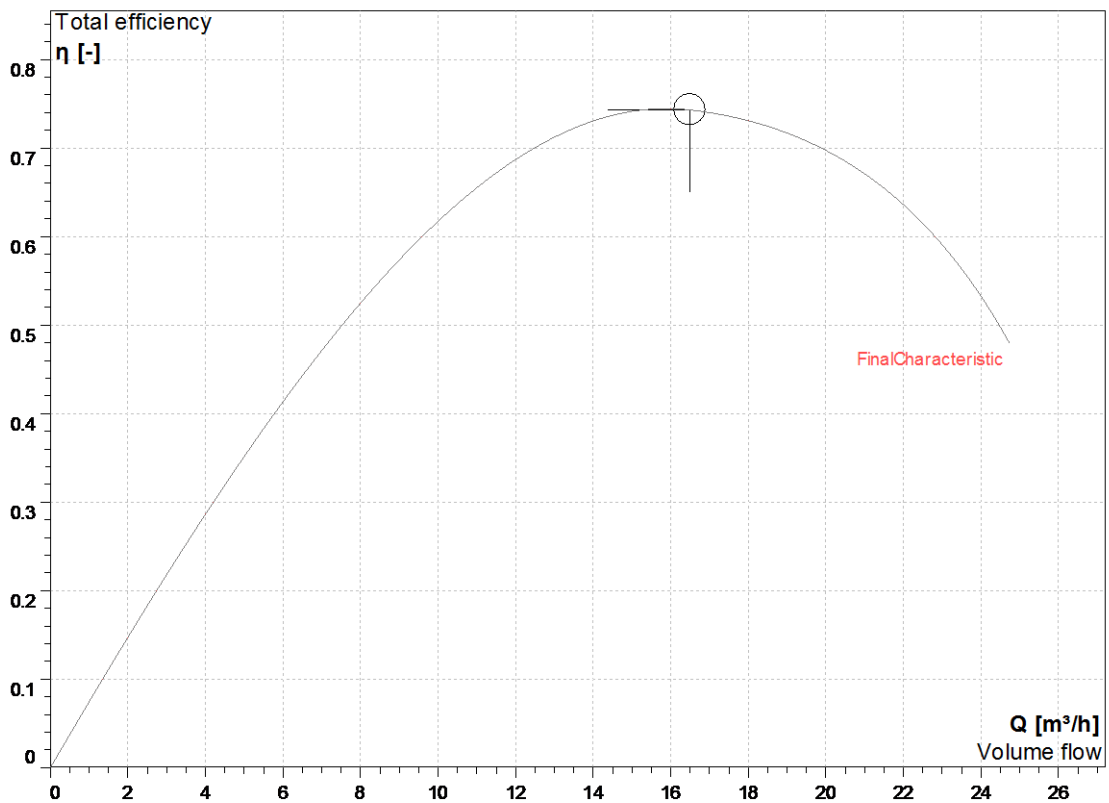


## PERFORMANCE GRAPHS

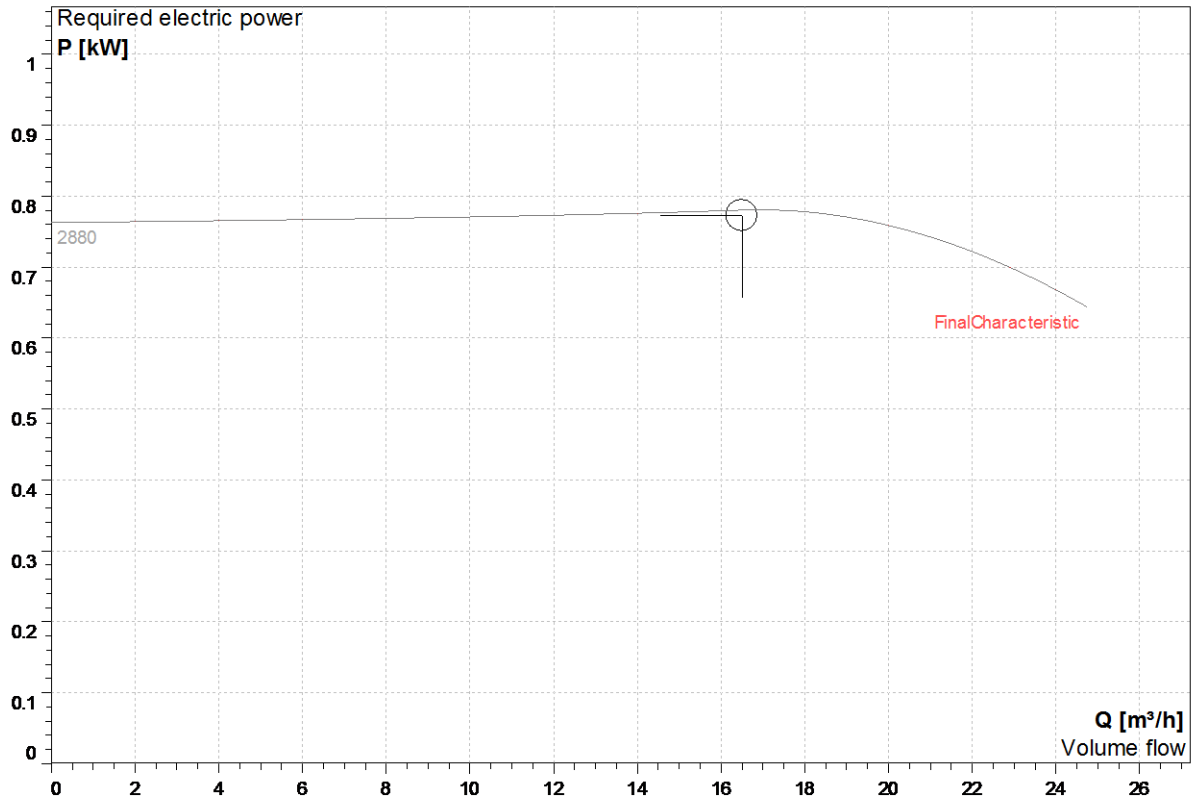
### 1. Volume Flow vs. Head



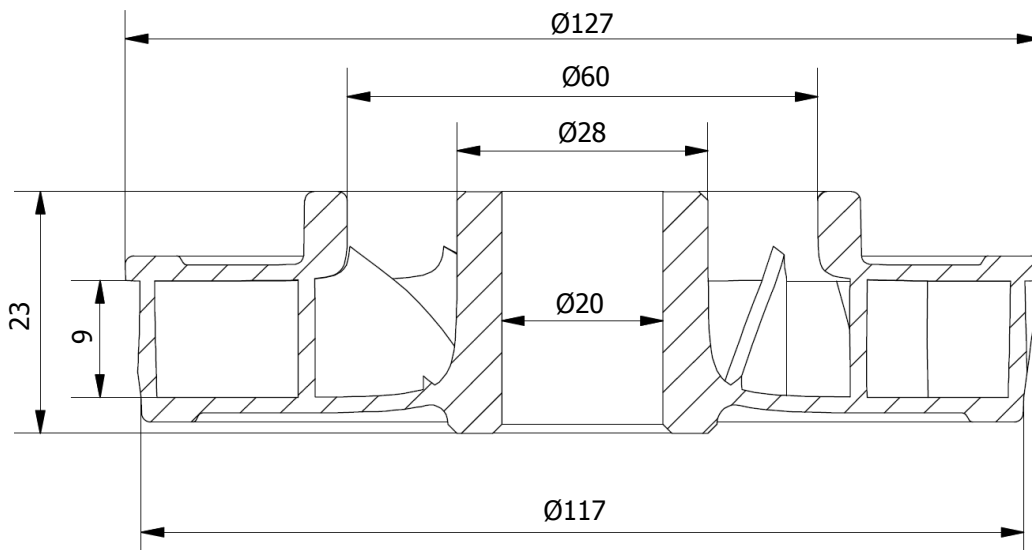
### 2. Volume Flow vs. Total Efficiency



### 3. Volume Flow vs. Required Driving Power



### OVERALL DIMENSIONS (Not to Scale)



**Note:** All Dimensions are in mm.

For Your query related to this product please write us on [microcare25@microcaregroup.com](mailto:microcare25@microcaregroup.com)

Or fill up the Inquiry form given on our website. [Click here to open Inquiry page](#)

