

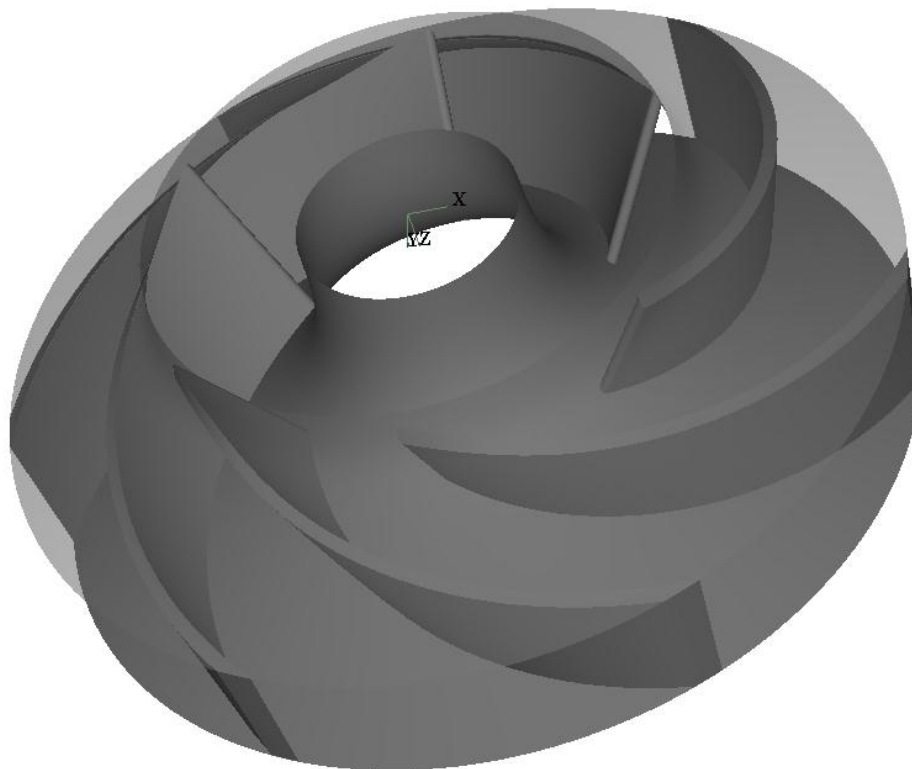
DETAILED BROCHURE - MM120C19

Technical Parameters

Model No	MM120C19
Type of flow	Mixed flow
Borewell Size	8"
Flow Rate	120 m ³ /hr (2000 LPM)
Head / Stage	19 Mtrs
Shut off Head	26.8 Mtrs
Power driven by pump / stage	7.3 KW (9.78 HP)
Pump Efficiency (%)	86 %
Rated RPM	2880 @ 50 Hz
No. of Blades	6 (CCW)
Production Method	Investment Casting
Compatible Bowl Model No.	MMB120C19

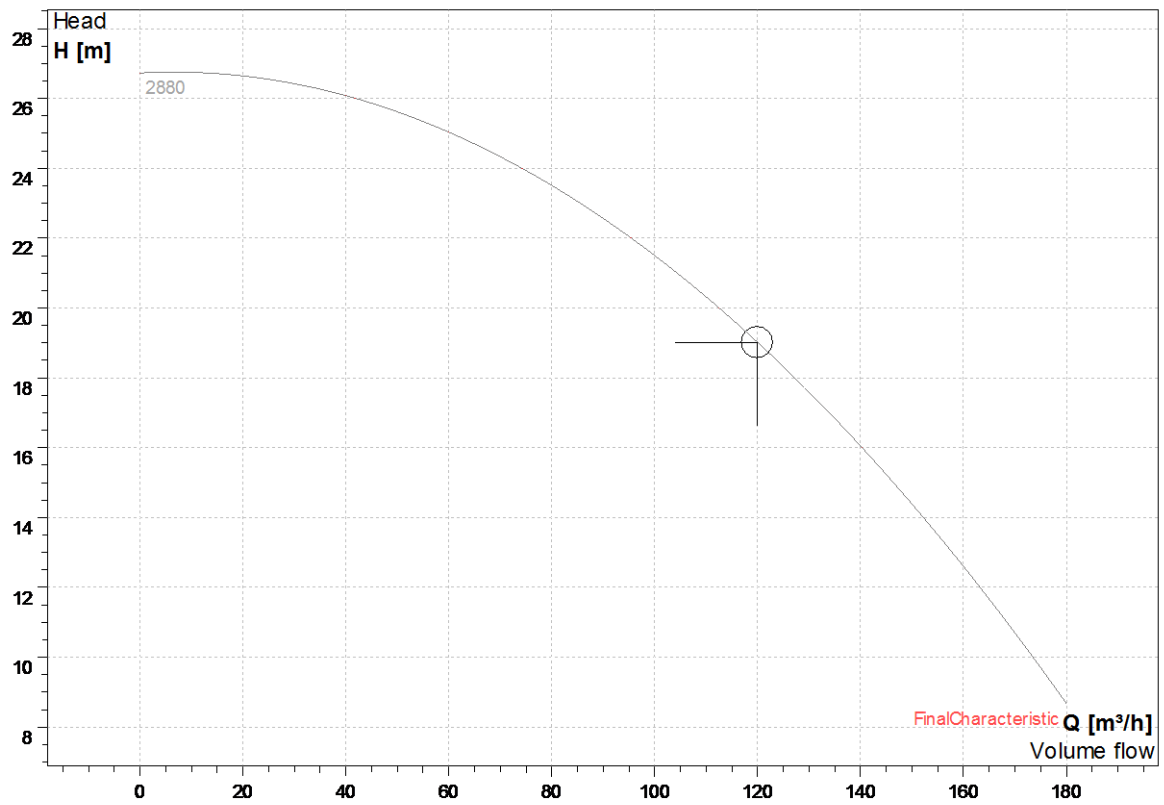
Pump Efficiency @ different Head				
	Head (Mtrs)	Flow Rate		Pump Efficiency (%)
		(m ³ /hr)	LPM	
1	19 (Duty Point)	120	2000	86
2	17.10 (-10%)	133.2	2220	79
3	23.75 (+25%)	77.3	1288	71

Conceptual Design of Impeller

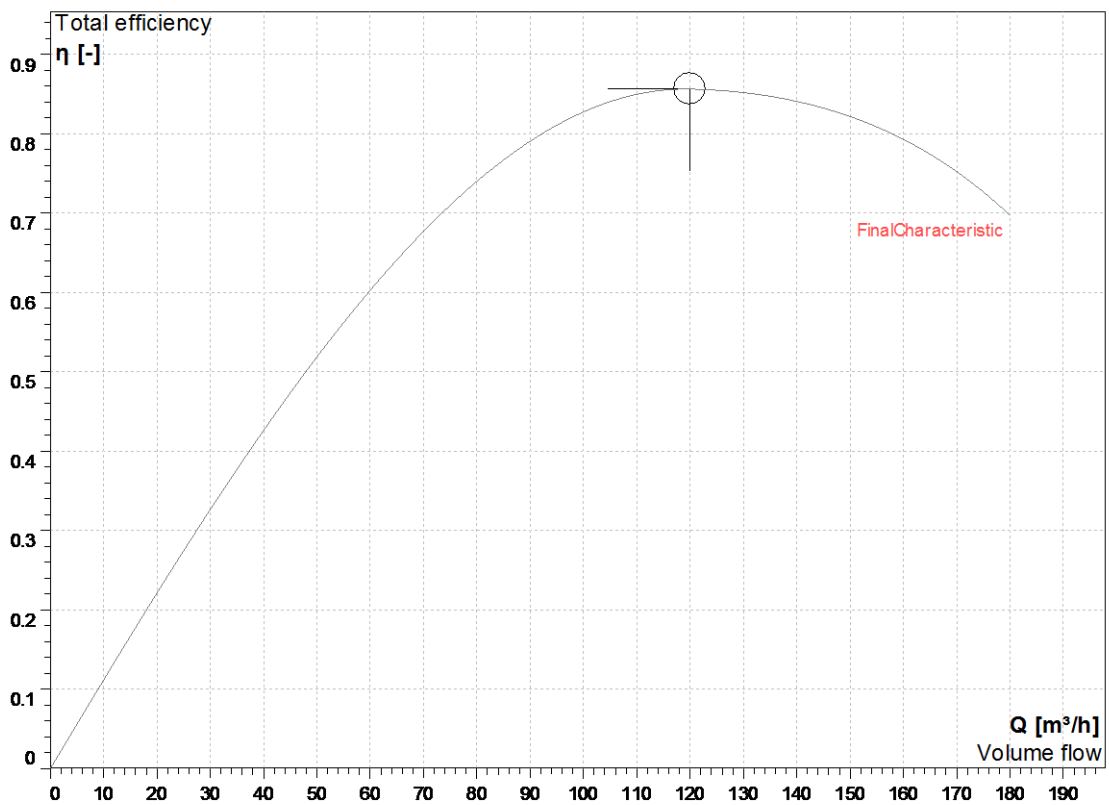


PERFORMANCE GRAPHS

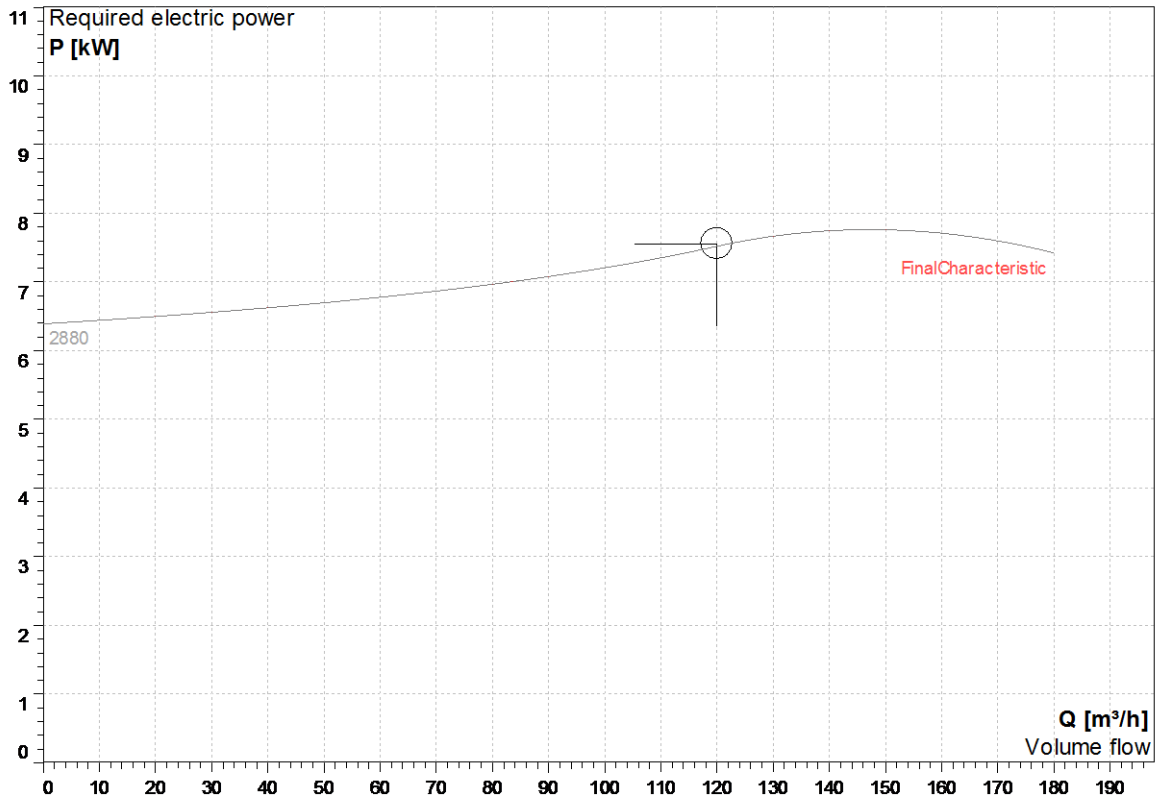
1. Volume Flow vs. Head



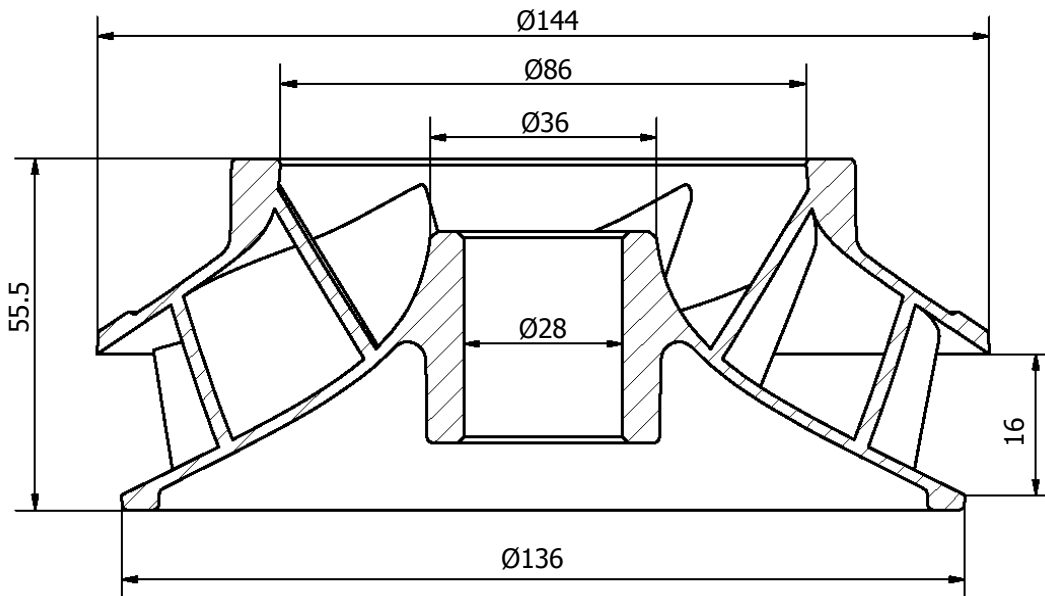
2. Volume Flow vs. Total Efficiency



3. Volume Flow vs. Required Driving Power



OVERALL DIMENSIONS (Not to Scale)



Note: All Dimensions are in mm.

For Your query related to this product please write us on microcare25@microcaregroup.com

Or fill up the Inquiry form given on our website. [Click here to open Inquiry page](#)