

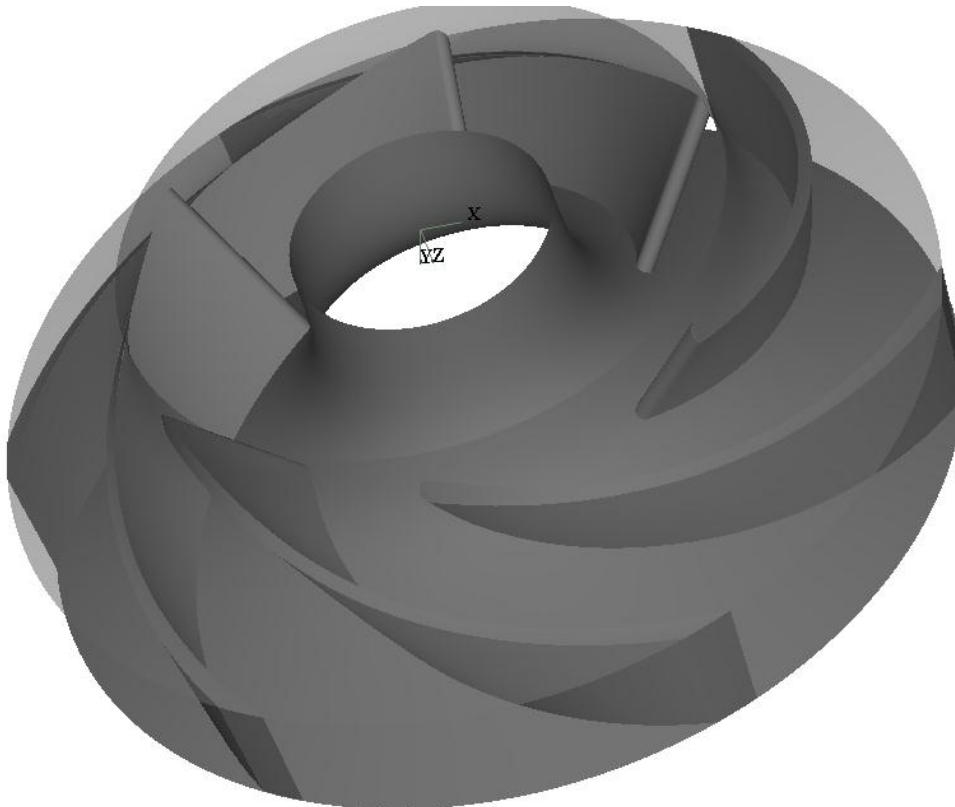
# DETAILED BROCHURE - MM108C19

## Technical Parameters

Model No	MM108C19
Type of flow	Mixed flow
Borewell Size	8"
Flow Rate	108 m <sup>3</sup> /hr ( 1800 LPM)
Head / Stage	19 Mtrs
Shut off Head	26 Mtrs
Power driven by pump / stage	6.5 KW (8.71 HP )
Pump Efficiency	85 %
Rated RPM	2880 @ 50 Hz
No. of Blades	6 (CCW)
Production Method	Investment Casting
Compatible Bowl Model No.	MMB108C19

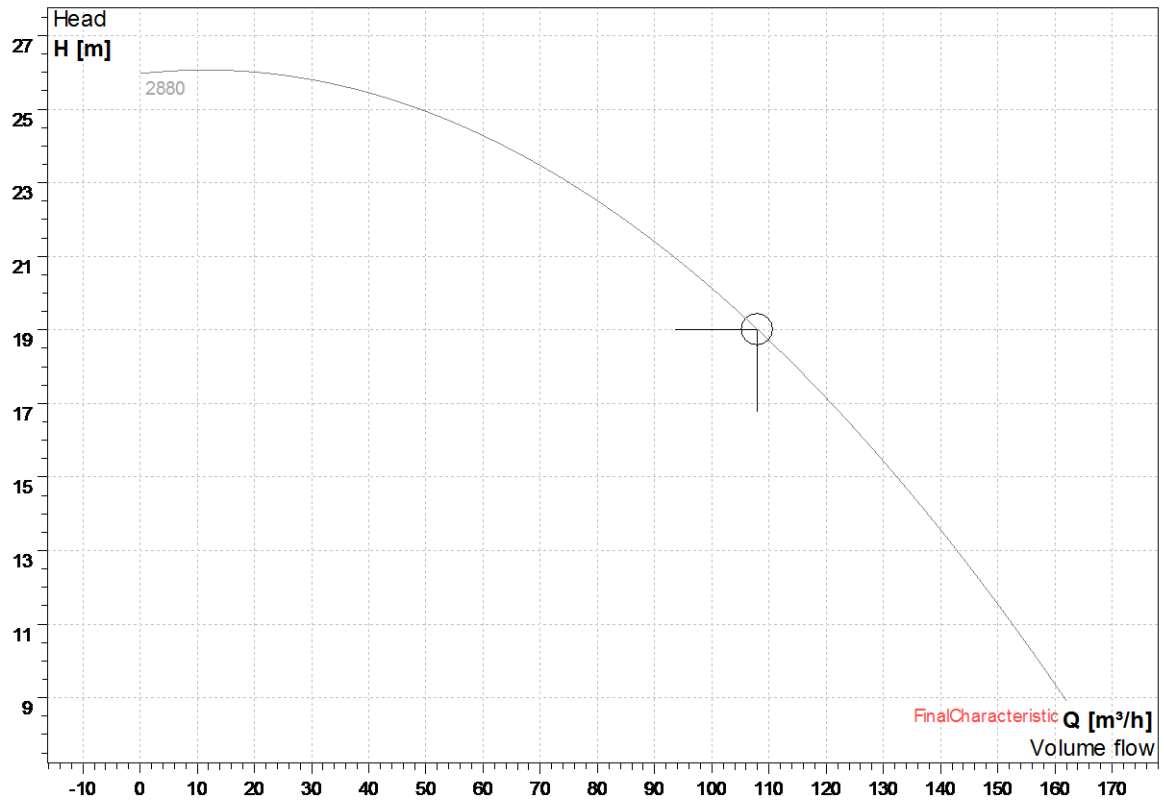
Pump Efficiency @ different Head				
	Head (Mtrs)	Flow Rate		Pump Efficiency (%)
		(m <sup>3</sup> /hr)	LPM	
<b>1</b>	19 (Duty Point)	108	1800	85
<b>2</b>	17.10 (-10%)	120.3	2000	79
<b>3</b>	23.75 (+25%)	66.9	1100	69

## Conceptual Design of Impeller

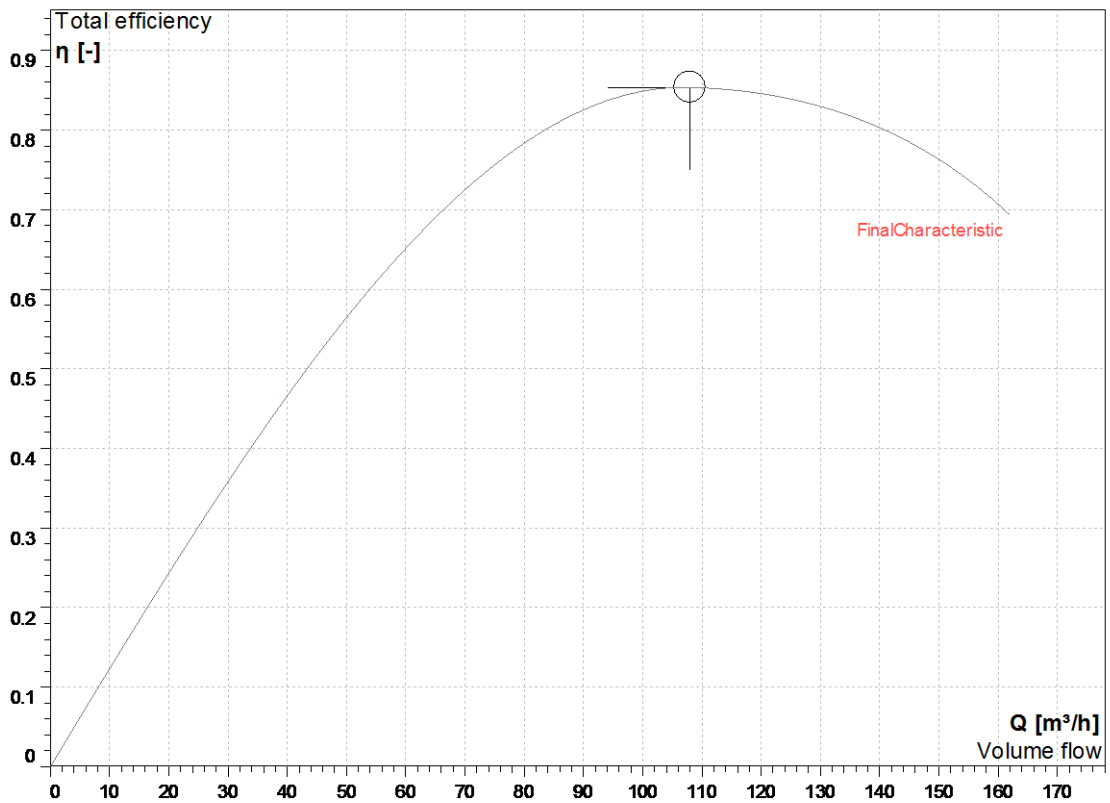


## PERFORMANCE GRAPHS

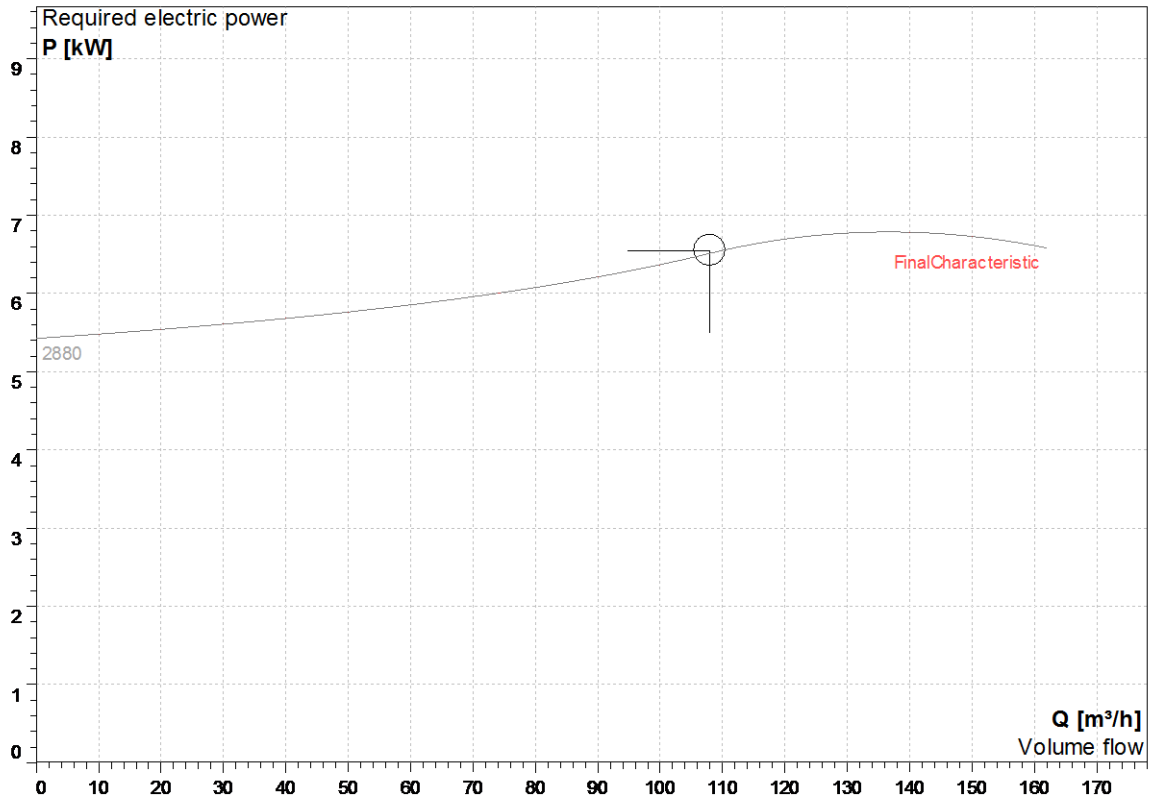
### 1. Volume Flow vs. Head



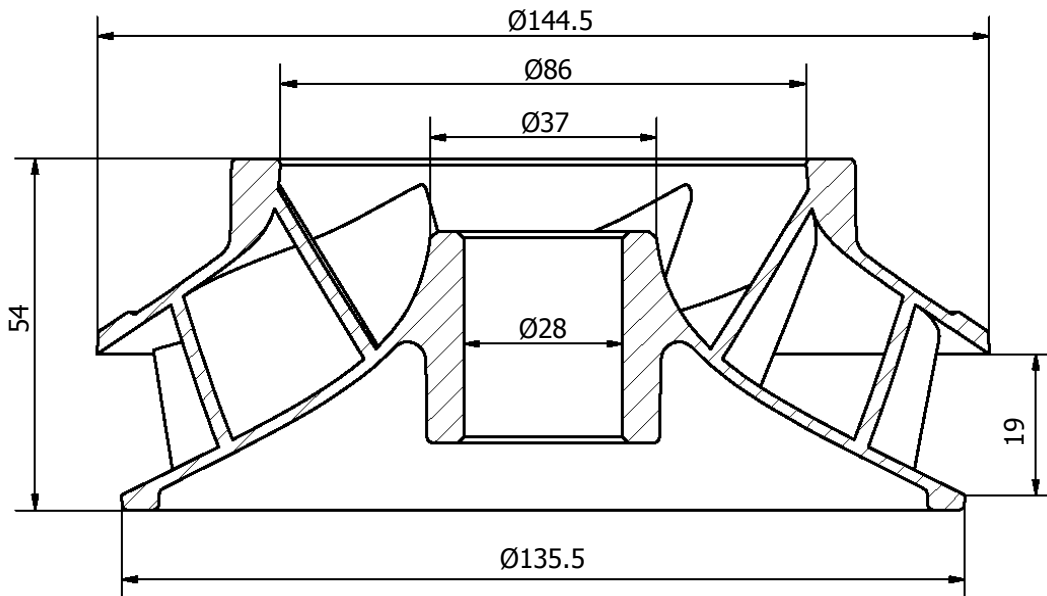
### 2. Volume Flow vs. Total Efficiency



### 3. Volume Flow vs. Required Driving Power



### OVERALL DIMENSIONS (Not to Scale)



**Note:** All Dimensions are in mm.

For Your query related to this product please write us on [microcare25@microcaregroup.com](mailto:microcare25@microcaregroup.com)

Or fill up the Inquiry form given on our website. [Click here to open Inquiry page](#)