

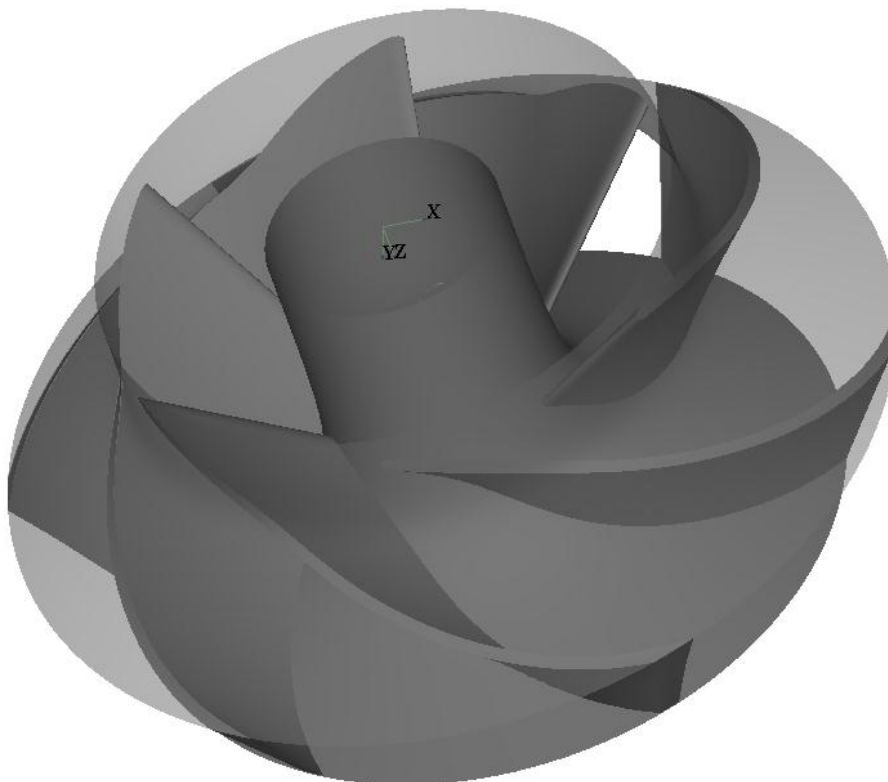
DETAILED BROCHURE - MM060B11

Technical Parameters

Model No	MM060B11
Type of flow	Mixed flow
Borewell Size	7"
Flow Rate	60 m ³ /hr (1000 LPM)
Head / Stage	11.5 Mtrs
Shut off Head	16 Mtrs
Power driven by pump / stage	2.25 KW (3.02 HP)
Pump Efficiency	83 %
Rated RPM	2880 @ 50 Hz
No. of Blades	6 (CCW)
Production Method	Investment Casting
Compatible Bowl Model No.	MMB060B11

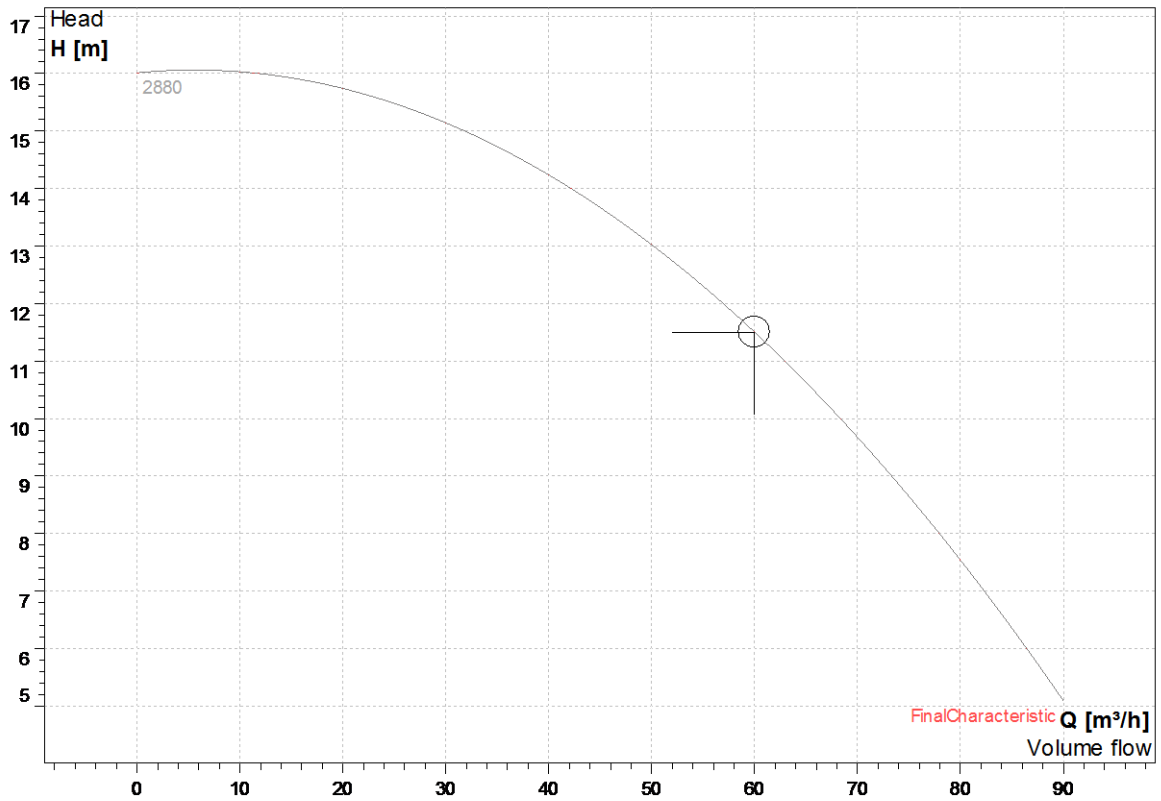
Pump Efficiency @ different Head				
	Head (Mtrs)	Flow Rate		Pump Efficiency (%)
		(m ³ /hr)	LPM	
1	11.5 (Duty Point)	60	1000	83
2	10.35 (-10%)	68.1	1135	80
3	14.38 (+25%)	39.6	660	74

Conceptual Design of Impeller

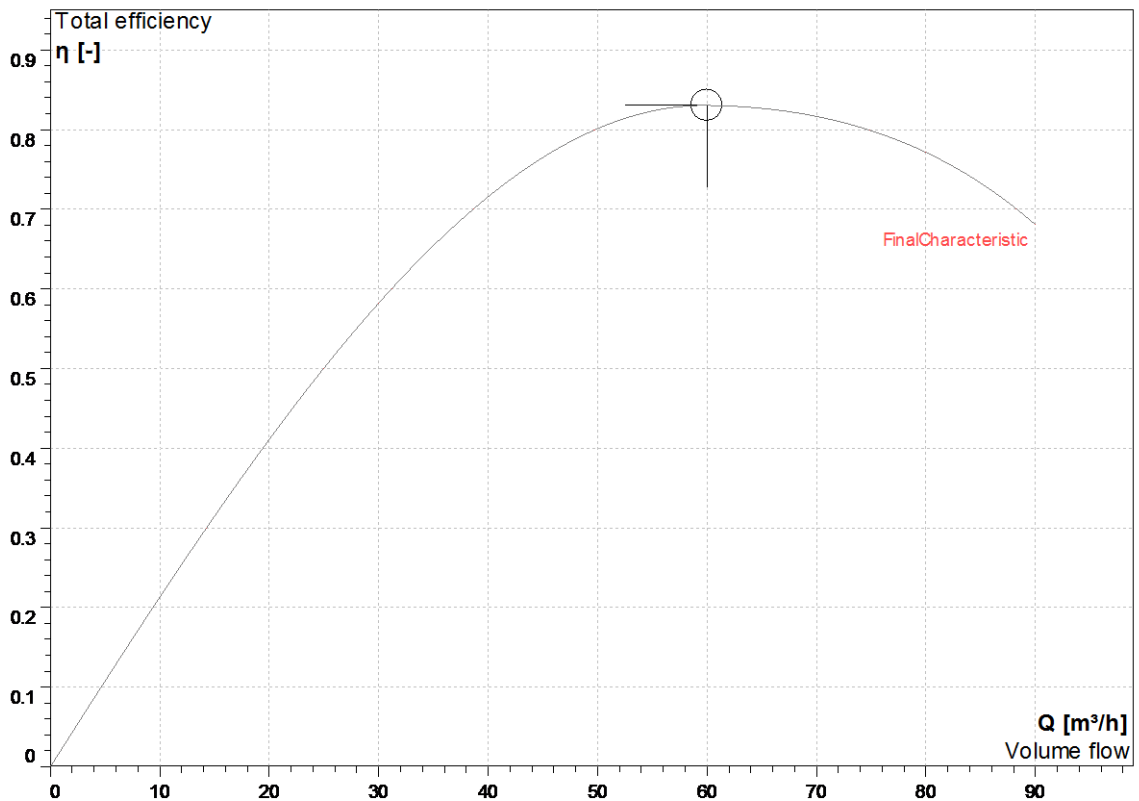


PERFORMANCE GRAPHS

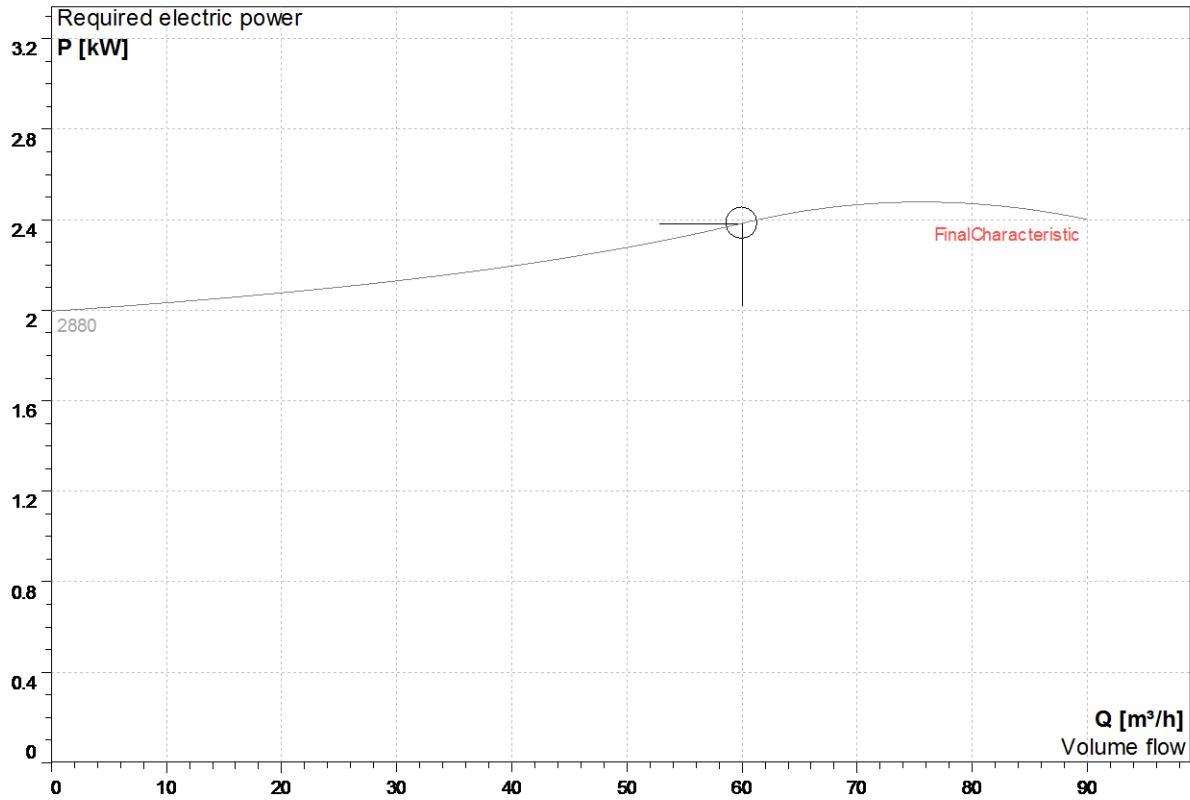
1. Volume Flow vs. Head



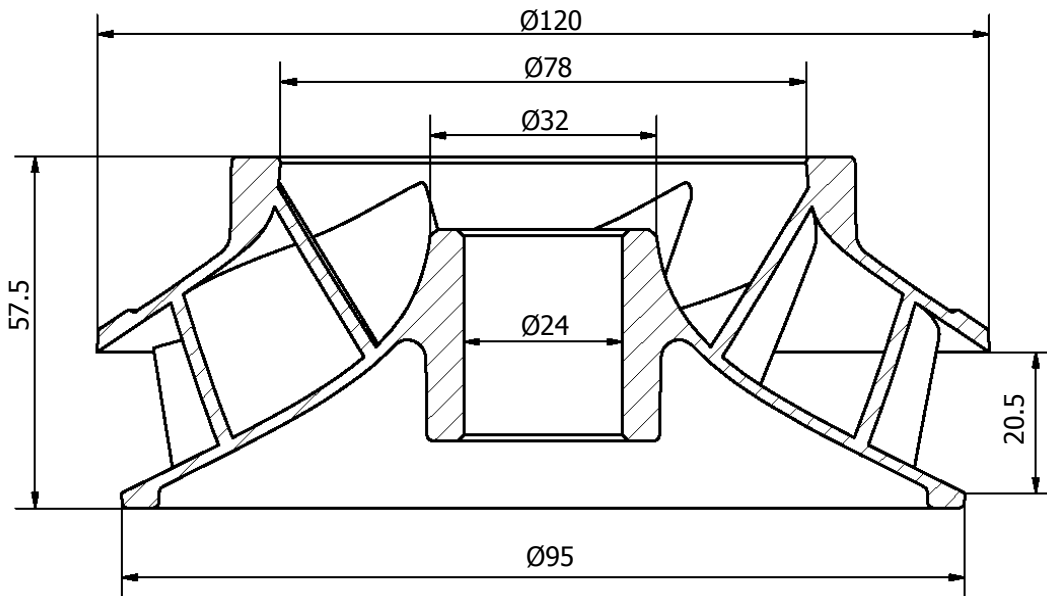
2. Volume Flow vs. Total Efficiency



3. Volume Flow vs. Required Driving Power



OVERALL DIMENSIONS (Not to Scale)



Note: All Dimensions are in mm.

For Your query related to this product please write us on microcare25@microcaregroup.com

Or fill up the Inquiry form given on our website. [Click here to open Inquiry page](#)