

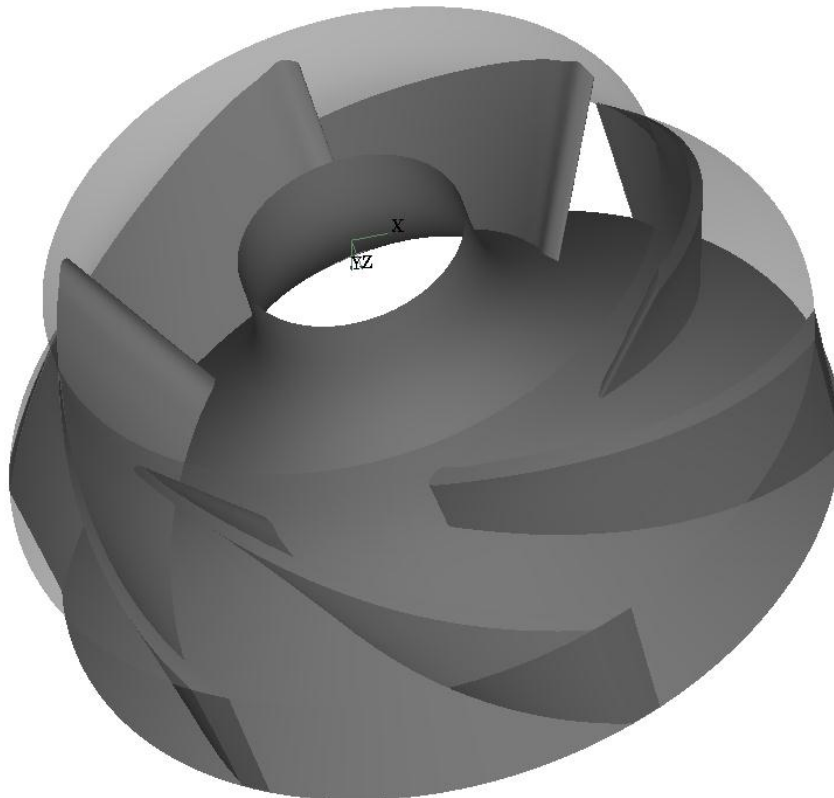
DETAILED BROCHURE - MM054B08

Technical Parameters

Model No	MM054B08
Type of flow	Mixed flow
Borewell Size	8"
Flow Rate	54 m ³ /hr (900 LPM)
Head / Stage	08 Mtrs
Shut off Head	12.5 Mtrs
Power driven by pump / stage	1.4 KW (1.88 HP)
Pump Efficiency	83 %
Rated RPM	2880 @ 50 Hz
No. of Blades	6 (CCW)
Production Method	Investment Casting
Compatible Bowl Model No.	MMB054C08

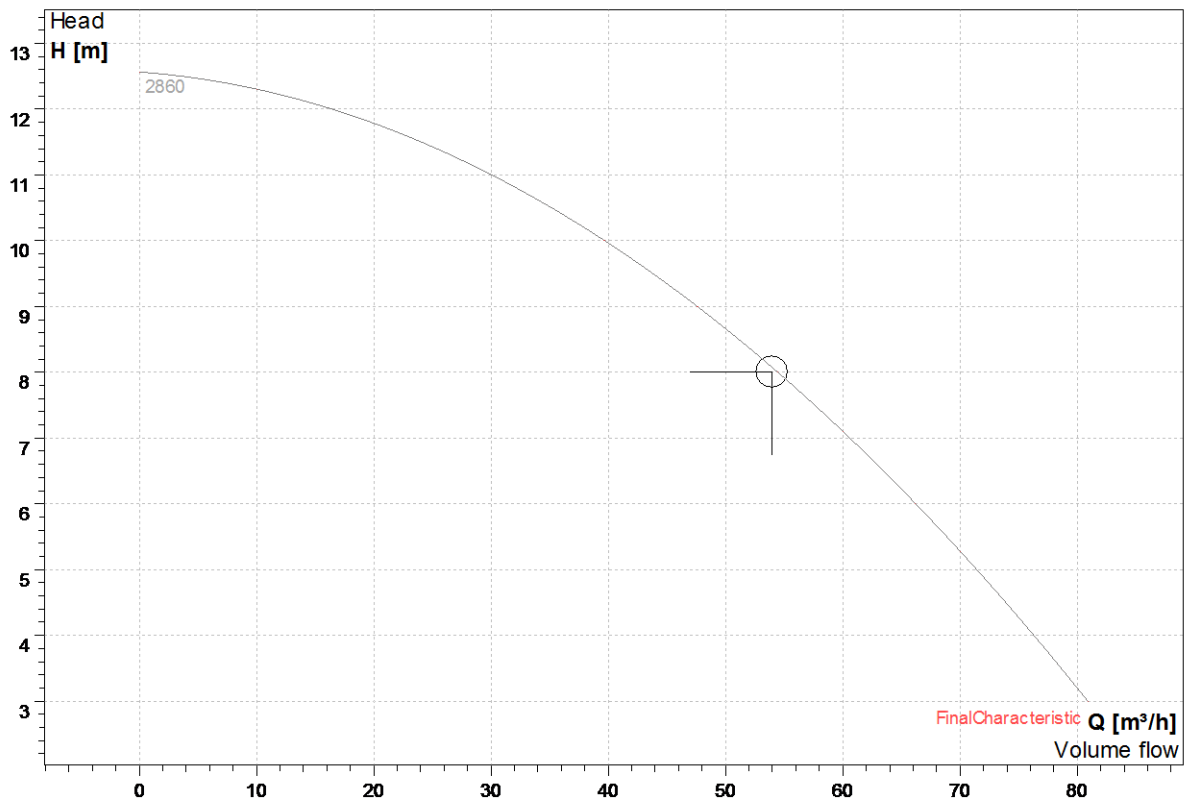
Pump Efficiency @ different Head				
	Head (Mtrs)	Flow Rate		Pump Efficiency (%)
		(m ³ /hr)	LPM	
1	08 (Duty Point)	54	900	83
2	7.20 (-10%)	59.4	983	78
3	10.00 (+25%)	39.7	650	74

Conceptual Design of Impeller

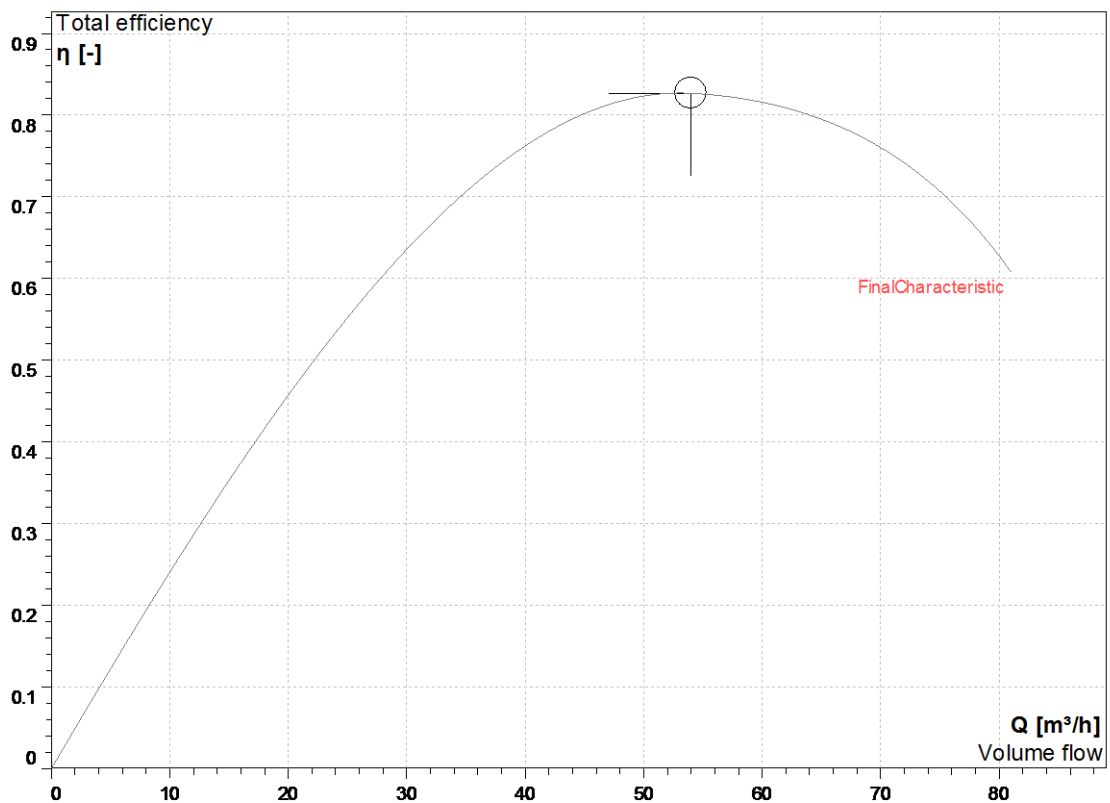


PERFORMANCE GRAPHS

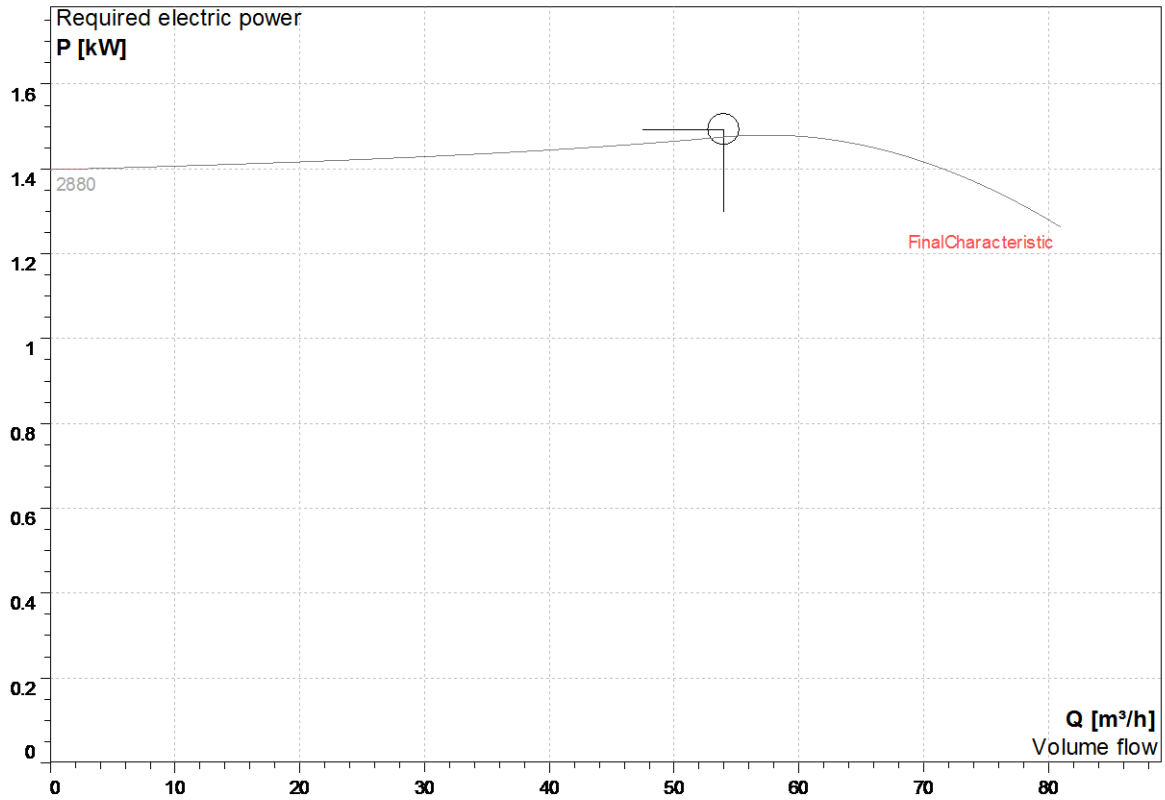
1. Volume Flow vs. Head



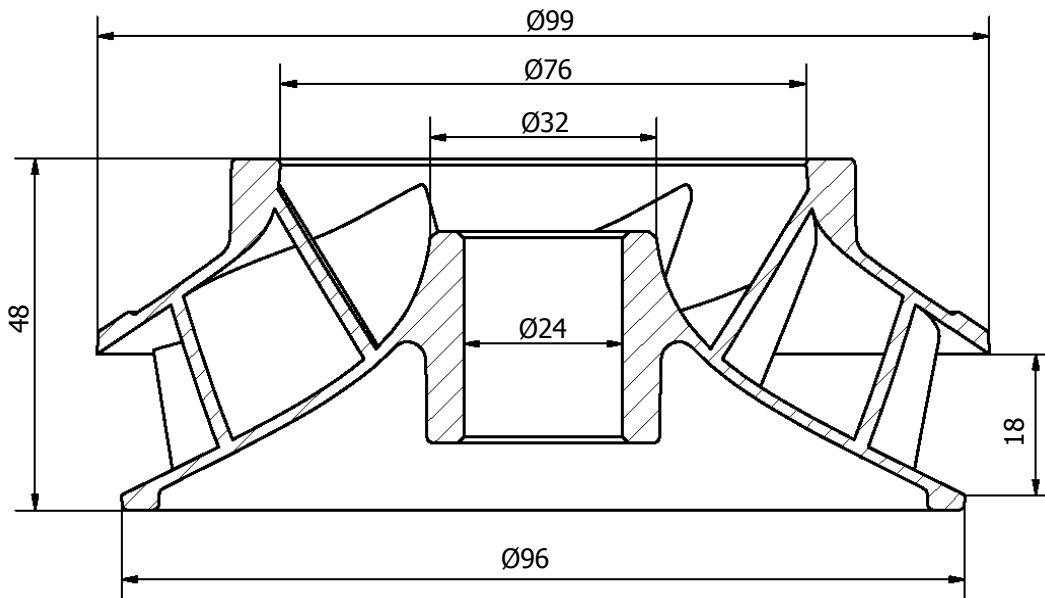
2. Volume Flow vs. Flow Efficiency



3. Volume Flow vs. Required Driving Power



OVERALL DIMENSIONS (Not to Scale)



Note: All Dimensions are in mm.

For Your query related to this product please write us on microcare25@microcaregroup.com

Or fill up the Inquiry form given on our website. [Click here to open Inquiry page](#)