

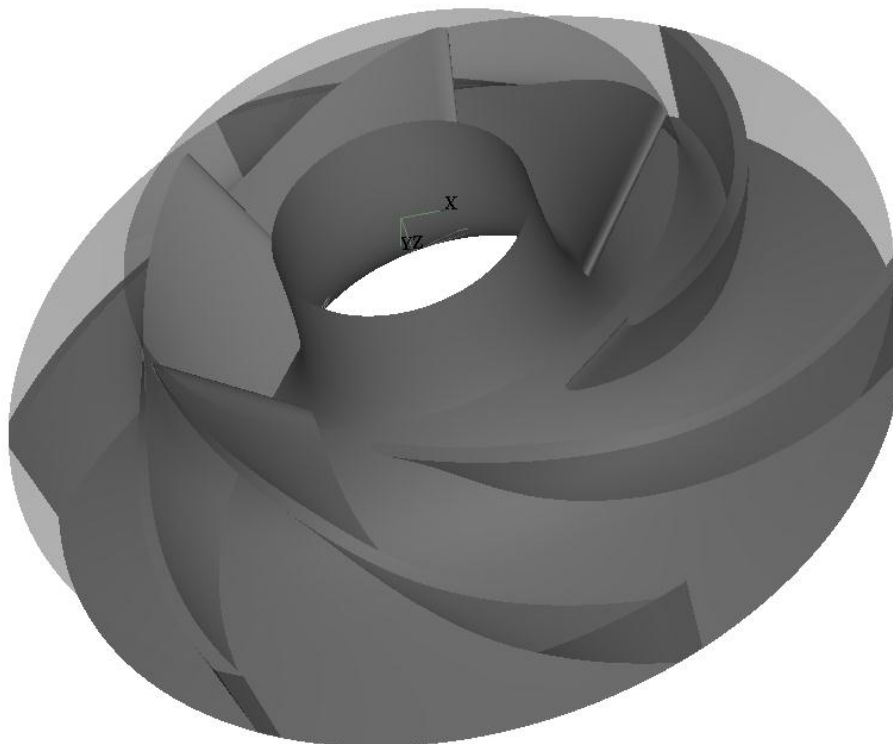
# DETAILED BROCHURE - MM030B08

## Technical Parameters

Model No	MM030B08
Type of flow	Mixed flow
Borewell Size	6"
Flow Rate	30 m <sup>3</sup> /hr ( 500 LPM)
Head / Stage	8.5 Mtrs
Shut off Head	11.4 Mtrs
Power driven by pump / stage	0.86 KW (1.15 HP )
Pump Efficiency	81 %
Rated RPM	2880 @ 50 Hz
No. of Blades	6 (CCW)
Production Method	Investment Casting
Compatible Bowl Model No.	MMB030B08

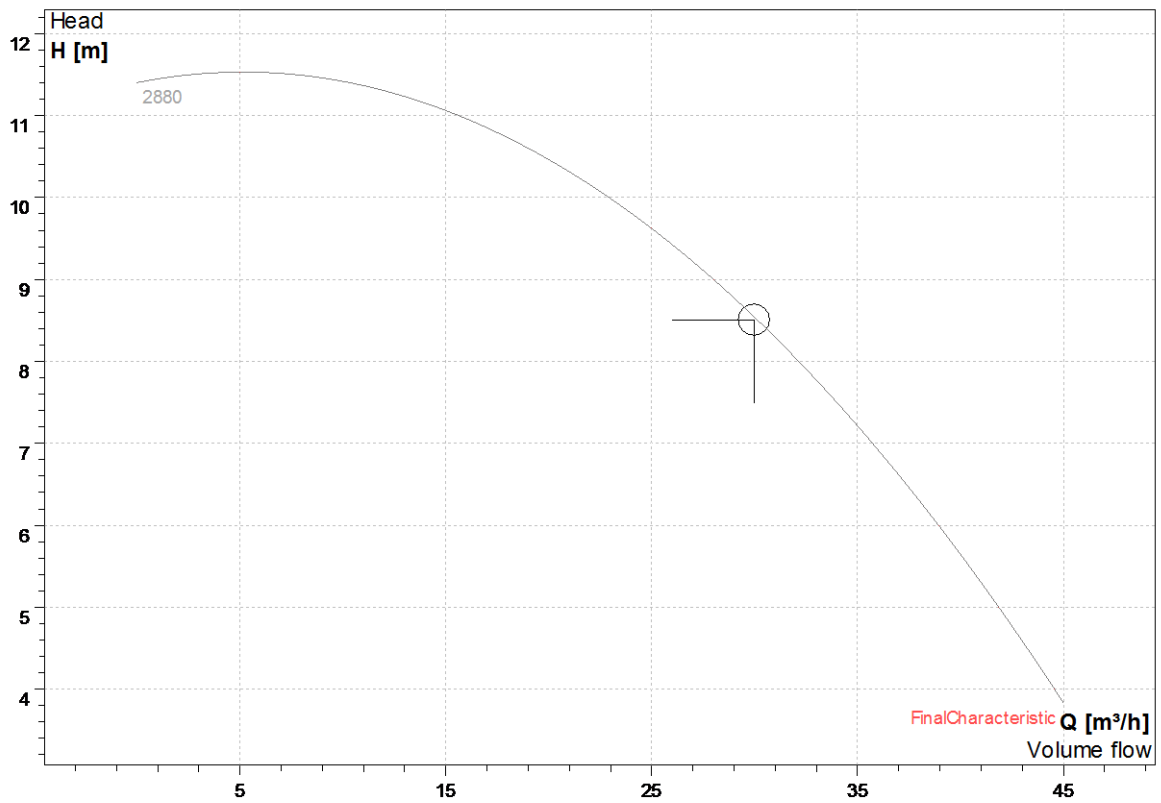
Pump Efficiency @ different Head				
	Head (Mtrs)	Flow Rate		Pump Efficiency (%)
		(m <sup>3</sup> /hr)	LPM	
<b>1</b>	8.5 (Duty Point)	30	500	81
<b>2</b>	7.65 (-10%)	34.7	567	76
<b>3</b>	10.63 (+25%)	19.3	322	68

## Conceptual Design of Impeller

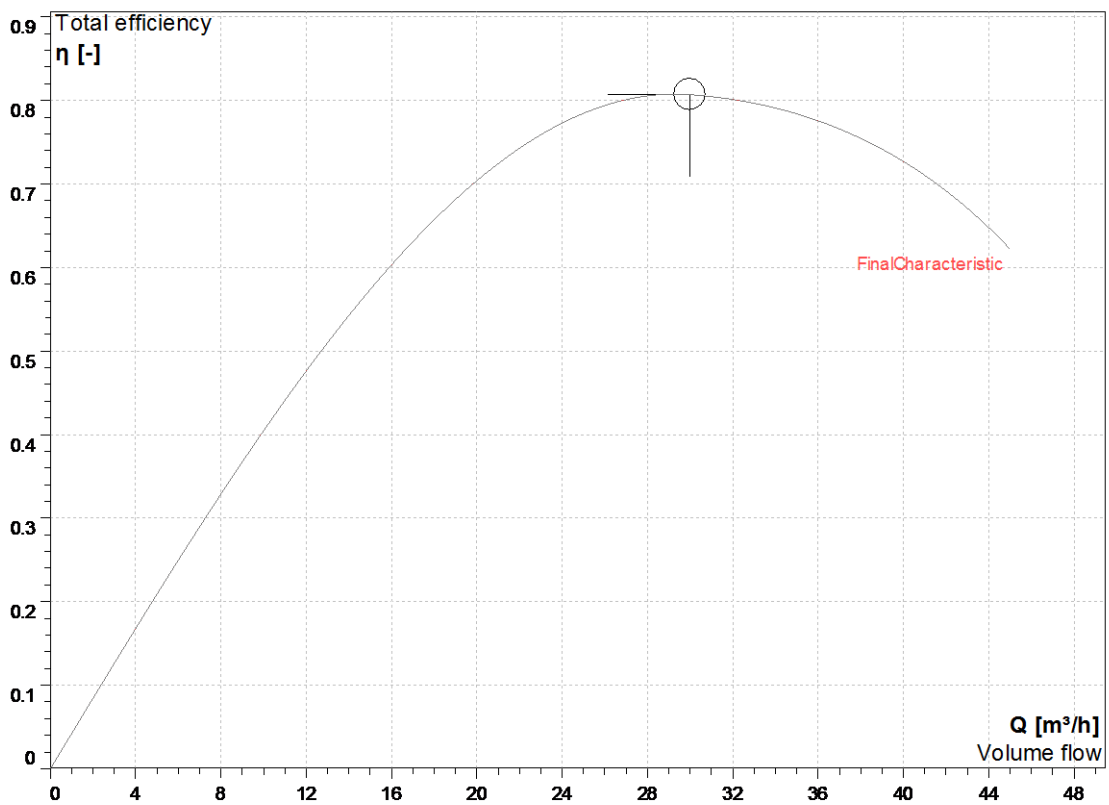


## PERFORMANCE GRAPHS

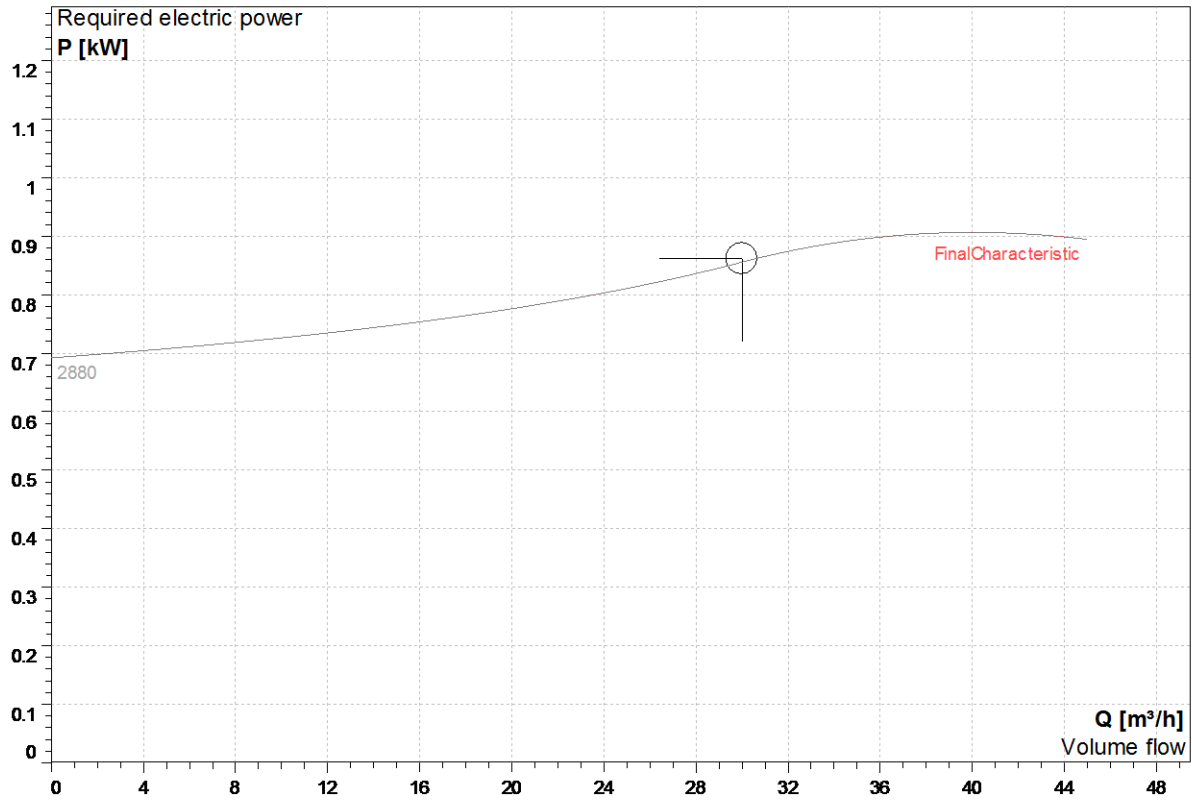
### 1. Volume Flow vs. Head



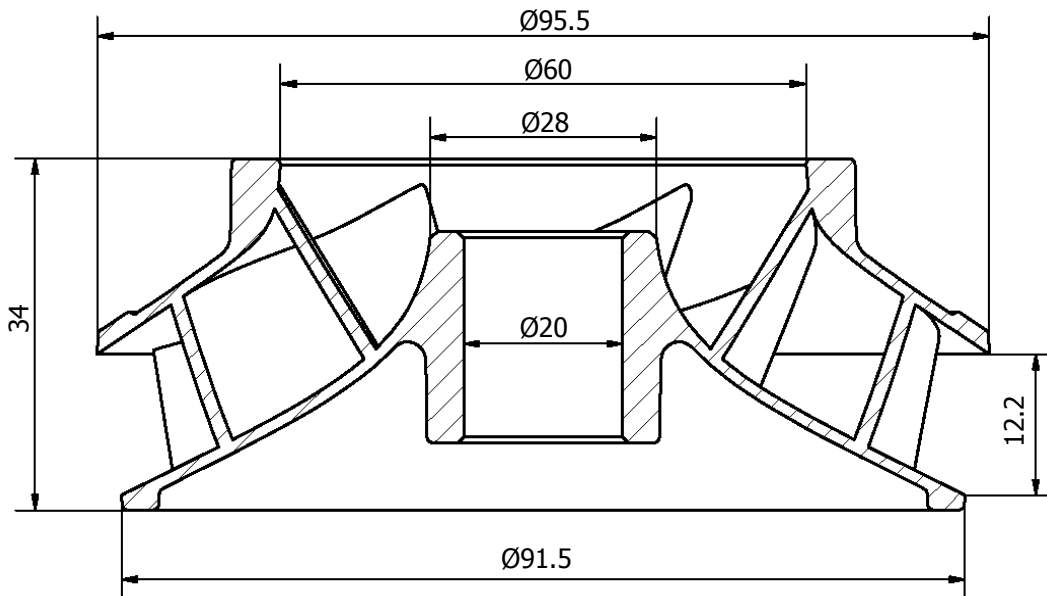
### 2. Volume Flow vs. Total Efficiency



### 3. Volume Flow vs. Required Driving Power



### OVERALL DIMENSIONS (Not to Scale)



**Note:** All Dimensions are in mm.

For Your query related to this product please write us on [microcare25@microcaregroup.com](mailto:microcare25@microcaregroup.com)

Or fill up the Inquiry form given on our website. [Click here to open Inquiry page](#)