

E

D

B

A

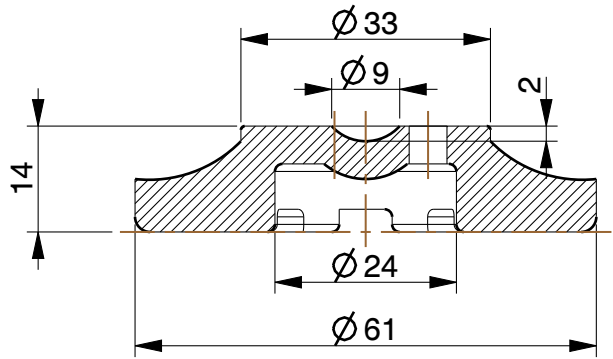
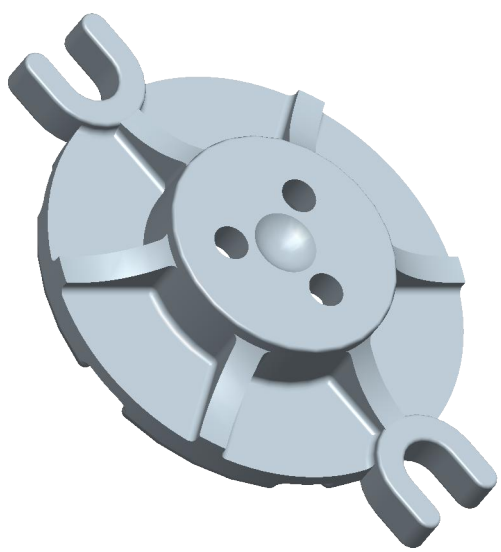
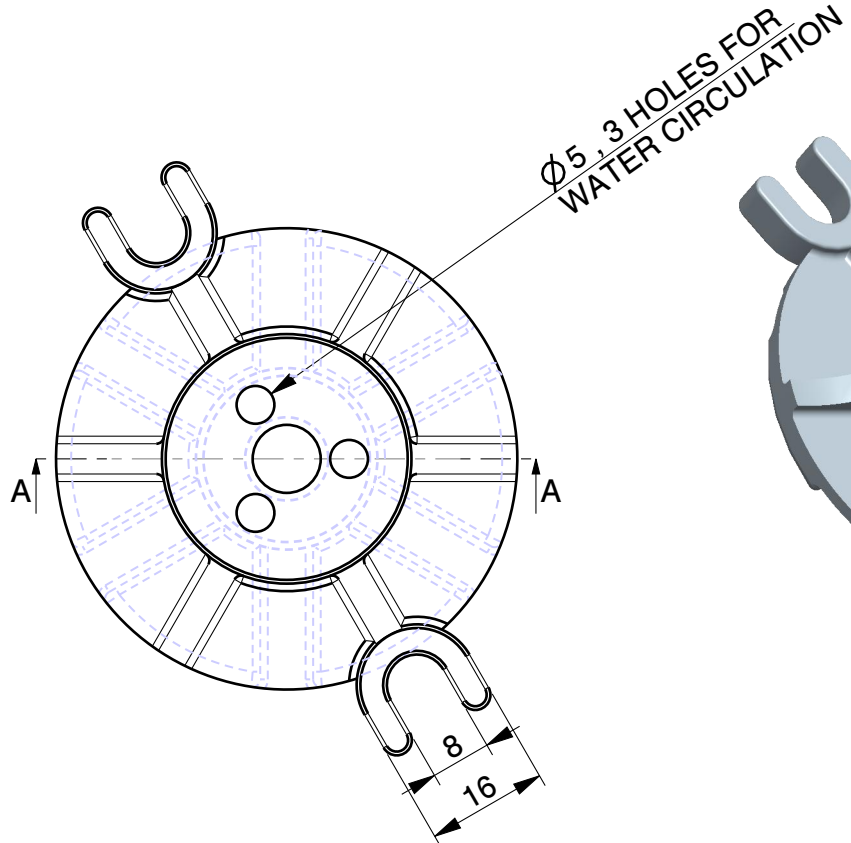
Associated Model File Name : THRUST\_BEARING\_V4\_WO\_BALL

5

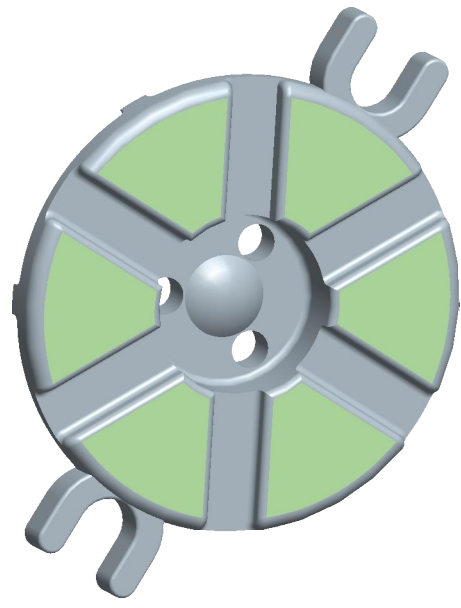
4

E

D



SECTION A-A



Drawing File Name : THRUST\_BEARING\_V4\_WO\_BALL

2

B

NOTE:-

- 1). ALL DIMENSIONS ARE IN mm.
- 2). DO NOT SCALE,IF ANY DOUBT PLEASE ASK.
- 3). ALL DIMENSIONS ARE AS CAST.

**MICROCARE TECHNIQUES P. LTD.**

Survey No.11,Nr. Kalpataru Society, Village : Zundal.

Dist.: Gandhinagar-382421, Gujarat, INDIA. email: microcare25@microcaregroup.com

PART NAME: <b>Thrust Bearing-v/4-w/o Ball</b>			SCALE 1 / 1
MATERIAL: SS 420 -45 HRC	DESCRIPTION: Weight: --- 0.150 Kgs.		DATE 18-11-2011

1

A

5

4

2

1