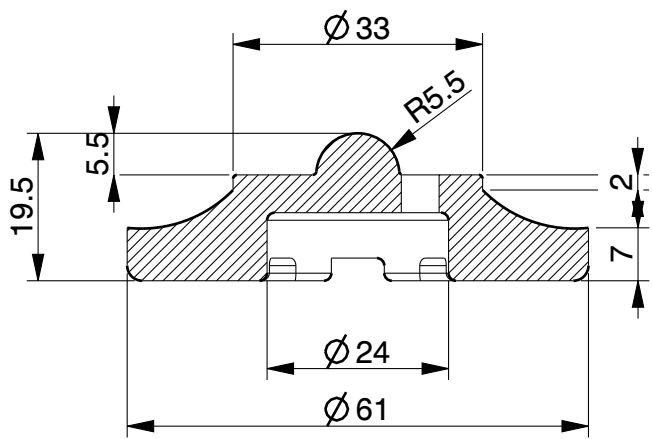
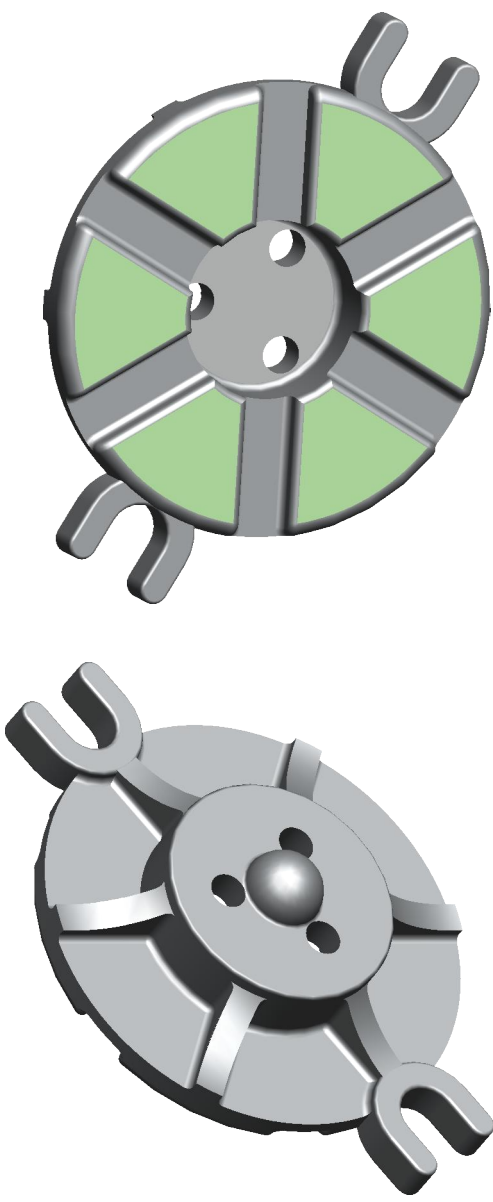


Ø5, 3 HOLES FOR WATER CIRCULATION



SECTION A-A



NOTE:-
 1). ALL DIMENSIONS ARE IN mm.
 2). DO NOT SCALE,IF ANY DOUBT PLEASE ASK.
 3). ALL DIMENSIONS ARE AS CAST.

MICROCARE TECHNIQUES P. LTD.		
<i>Survey No.11,Nr. Kalpataru Society,Village : Zundal. Dist.:Gandhinagar-382421, Gujarat, INDIA. email: microcare25@microcaregroup.com</i>		
PART NAME:		
Thrust Bearing V/4-Ball -Ø 6 stud		SCALE 1 / 1
MATERIAL: SS 420 - 45 HRC	DESCRIPTION: WEIGHT: --- 0.150 Kgs.	DATE 18-11-2011