

E

D

B

A

Associated Model File Name : THRUST_BEARING_V3_V4_MITCHELL

5

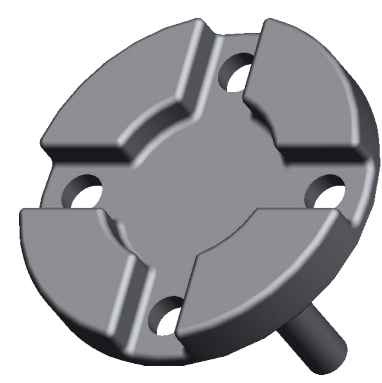
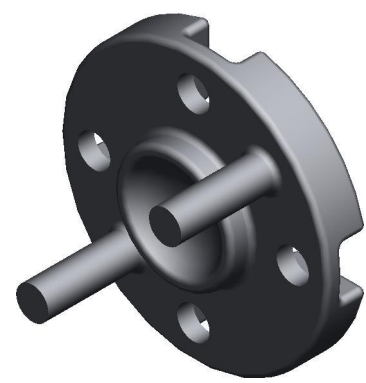
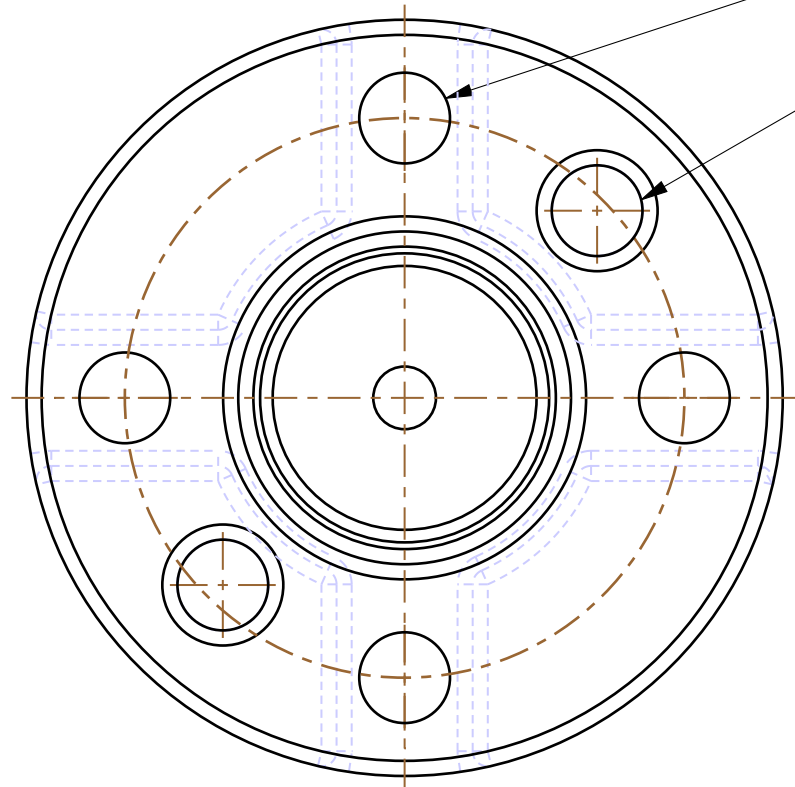
4

E

D

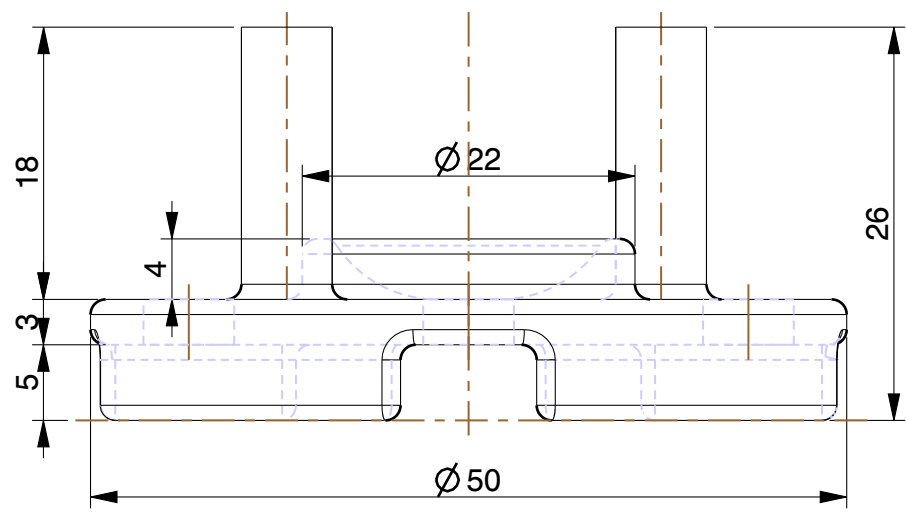
Ø 6 ,4HOLES AT PCD 37

Ø 6 PINS AT PCD 35,2NOS.




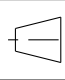
Drawing File Name : THRUST_BEARING_V3_V4_MITCHELL

2



NOTE:-

- 1). ALL DIMENSIONS ARE IN mm.
- 2). DO NOT SCALE,IF ANY DOUBT PLEASE ASK.
- 3). ALL DIMENSIONS ARE AS CAST.

MICROCARE TECHNIQUES P. LTD.		
<i>Survey No.11,Nr. Kalpataru Society, Village : Zundal.</i>		
<i>Dist. :Gandhinagar-382421, Gujarat, INDIA. email: microcare25@microcaregroup.com</i>		
PART NAME:		 
THRUST BEARING -V/3 -V/4 -MITCHELL TYPE		SCALE 2 / 1
MATERIAL: SS 420-45 HRC	DESCRIPTION: Weight:---0.100 Kgs.	DATE 18-11-2011

1

A

5

4

2

1