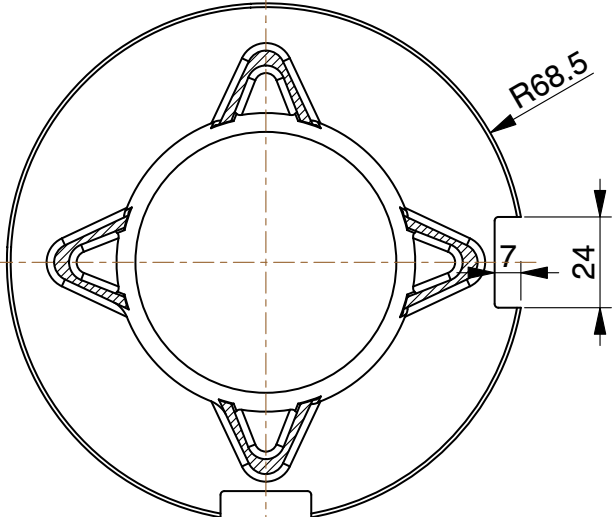


5

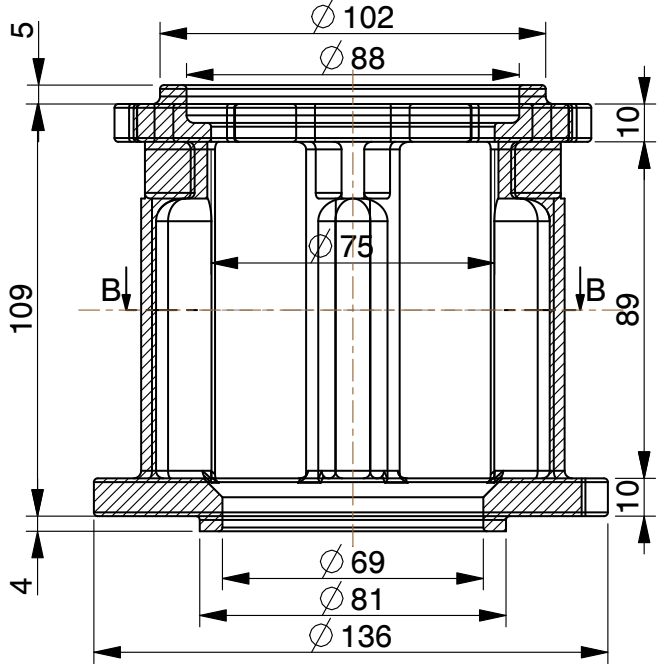
4

2

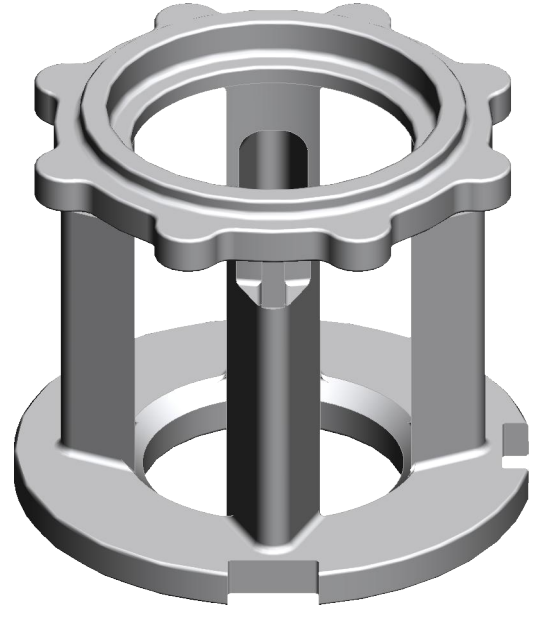
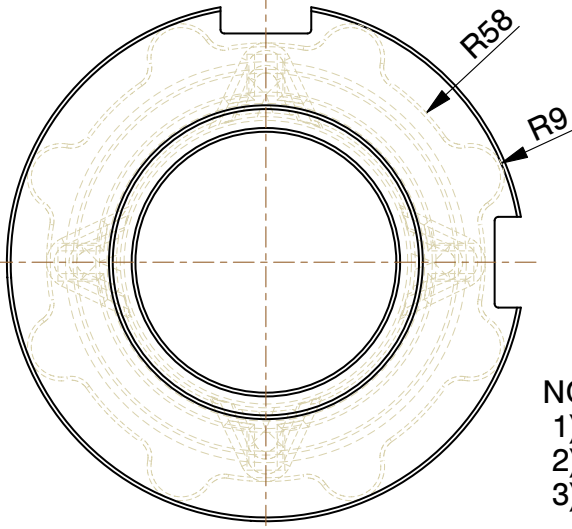
1



SECTION B-B



SECTION A-A



- NOTE:-
- 1). ALL DIMENSIONS ARE IN mm.
 - 2). DO NOT SCALE, IF ANY DOUBT PLEASE ASK.
 - 3). ALL DIMENSIONS ARE AS CAST.

MICROCARE TECHNIQUES P. LTD.

Survey No.11, Nr. Kalpataru Society, Village : Zundal.
 Dist:- Gandhinagar-382421, Gujarat, INDIA. email: microcare25@microcaregroup.com

PART NAME: SUCTION HOUSING - V/6 - 302			SCALE 1 / 2
MATERIAL: SS 304	DESCRIPTION: Weight:--- 1.800 Kgs.		DATE 18-11-2011