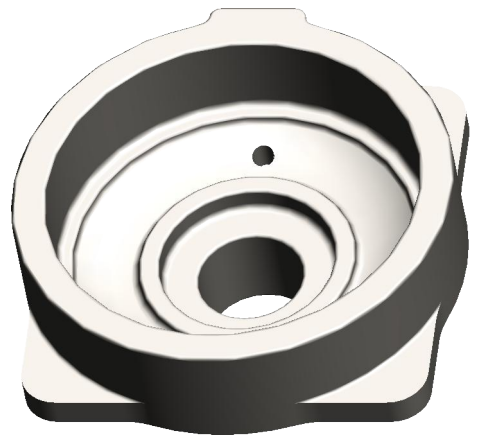
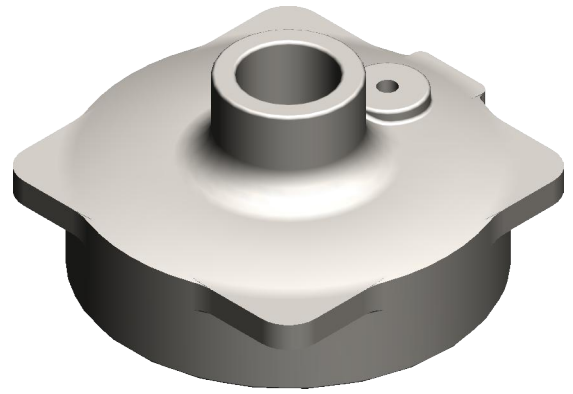
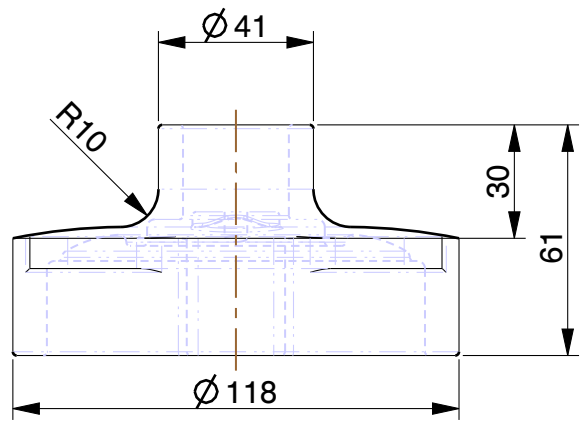
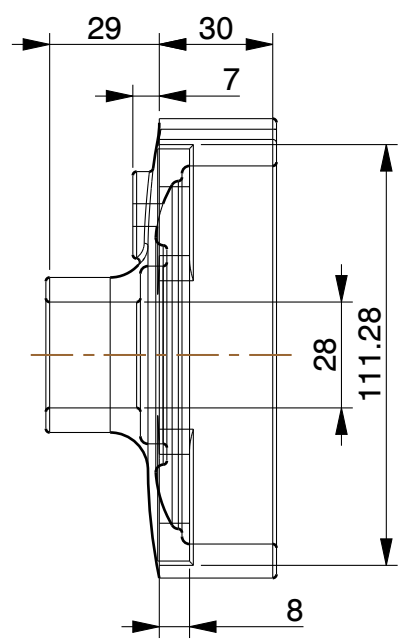
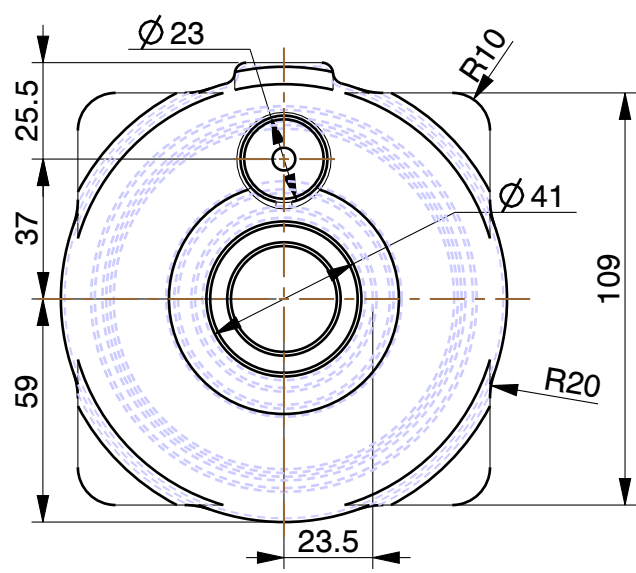


E D B A



NOTE:-
 1). ALL DIMENSIONS ARE IN mm.
 2). DO NOT SCALE, IF ANY DOUBT PLEASE ASK.
 3). ALL DIMENSIONS ARE AS CAST.

MICROCARE TECHNIQUES P. LTD.		
<i>Survey No.11,Nr. Kalpataru Society, Village : Zundal.</i>		
<i>Dist. :Gandhinagar-382421, Gujarat, INDIA. email: microcare25@microcaregroup.com</i>		
PART NAME:		
PUMP BODY BRACKET-2 (1 1/4 " OUTLET)		SCALE 1 / 2
MATERIAL: SS -304 / 316	DESCRIPTION: Weight:--- 1.300 Kgs.	DATE 18-11-2011

Associated Model File Name : PUMP_BODY_BRACKET_2_1_14_OUTLET

Drawing File Name : PUMP_BODY_BRACKET_2_1_14_OUTLET

1

5 4 2 1