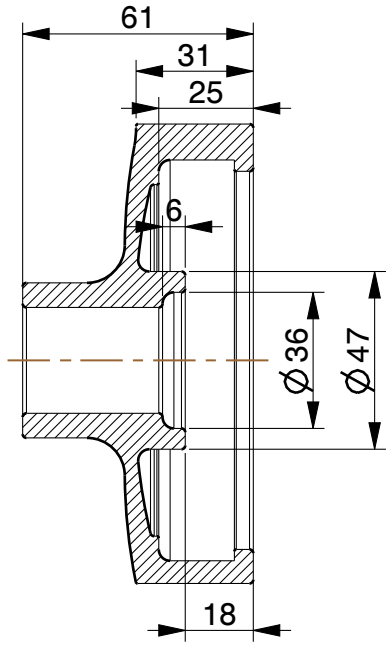
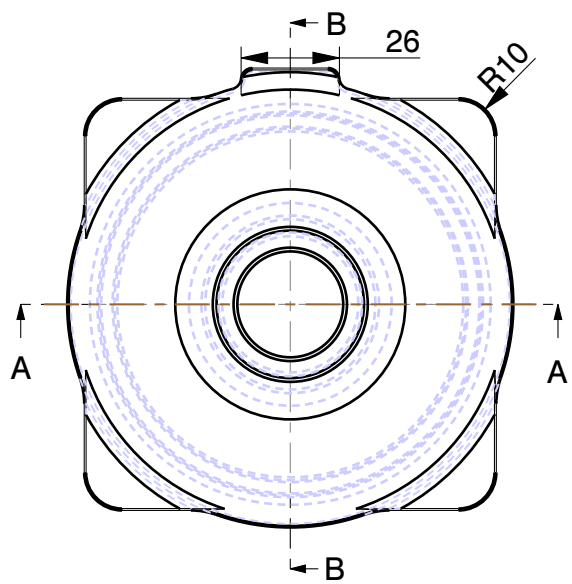
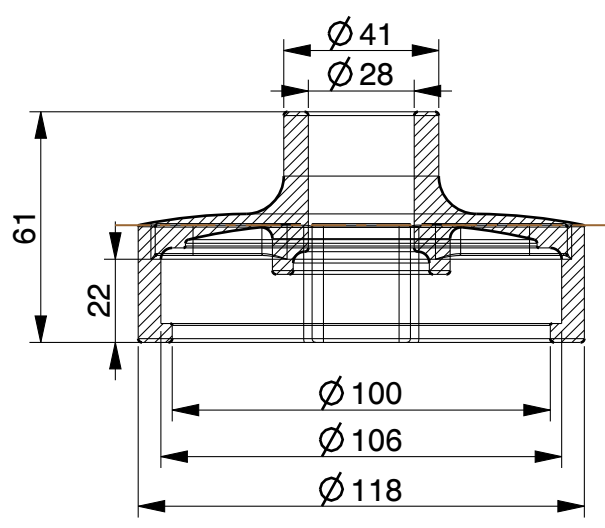


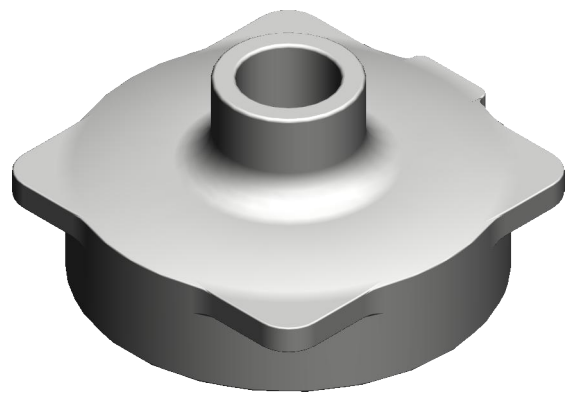
E D B A



SECTION B-B



SECTION A-A



**NOTE:-**

- 1). ALL DIMENSIONS ARE IN mm.
- 2). DO NOT SCALE, IF ANY DOUBT PLEASE ASK.
- 3). ALL DIMENSIONS ARE AS CAST.

|                                                                                         |                       |                     |
|-----------------------------------------------------------------------------------------|-----------------------|---------------------|
| <b>MICROCARE TECHNIQUES P. LTD.</b>                                                     |                       |                     |
| <i>Survey No.11,Nr. Kalpataru Society, Village : Zundal.</i>                            |                       |                     |
| <i>Dist. :Gandhinagar-382421, Gujarat, INDIA. email: microcare25@microcaregroup.com</i> |                       |                     |
| <b>PART NAME:</b>                                                                       |                       |                     |
| <b>PUMP BODY BRACKET -1 (1 1/4 " OUTLET)</b>                                            |                       | <b>SCALE</b><br>1/2 |
| <b>MATERIAL:</b>                                                                        | <b>DESCRIPTION:</b>   | <b>DATE</b>         |
| SS - 304 / 316                                                                          | Weight:--- 1.300 Kgs. | 18-11-2011          |

Associated Model File Name : PUMP\_BODY\_BRACKET\_1\_14\_OUTLET

Drawing File Name : PUMP\_BODY\_BRACKET\_1\_14\_OUTLET

1

5 4 2 1