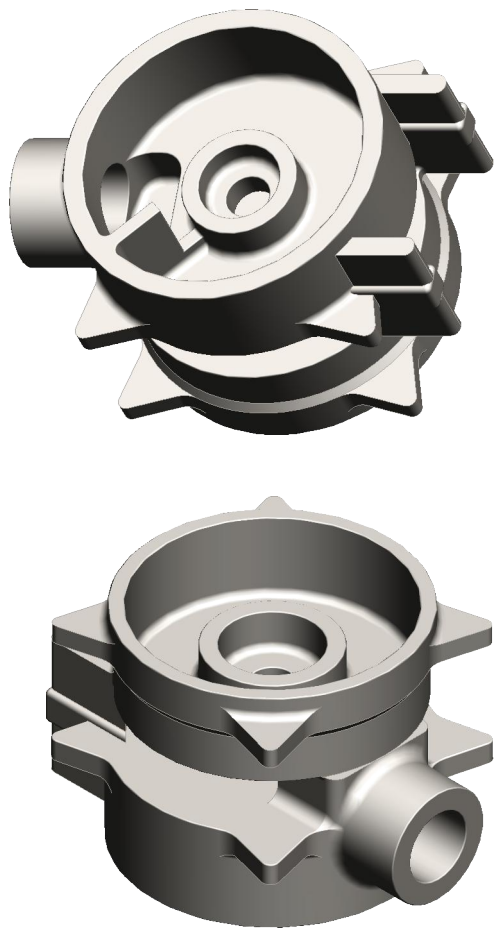
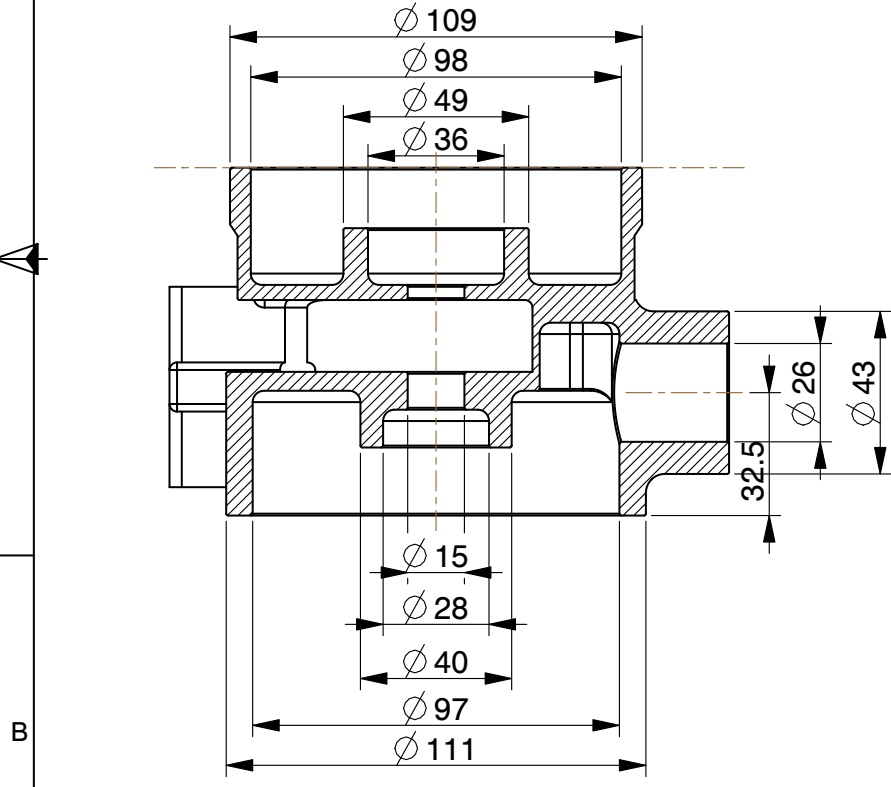
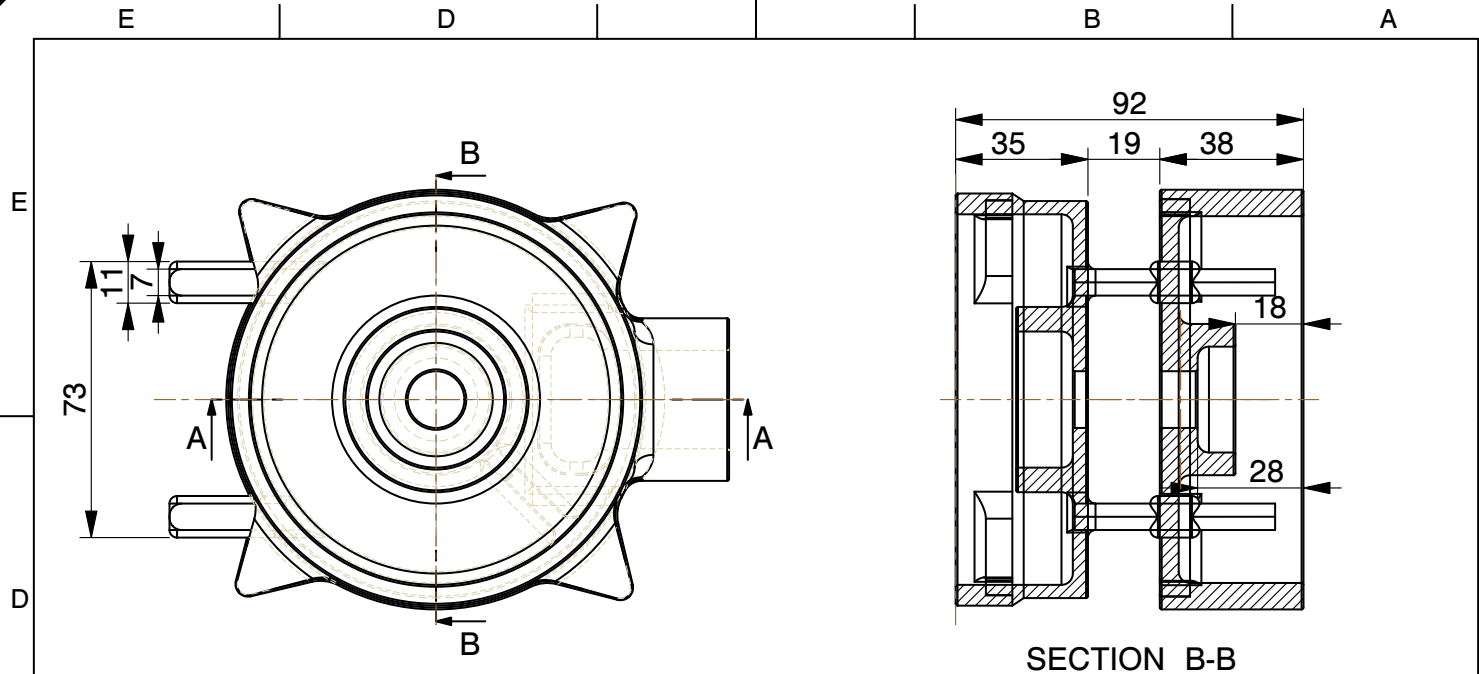


5

4

2

1



**NOTE:-**  
 1). ALL DIMENSIONS ARE IN mm.  
 2). DO NOT SCALE, IF ANY DOUBT PLEASE ASK.  
 3). ALL DIMENSIONS ARE AS CAST.

<b>MICROCARE TECHNIQUES P. LTD.</b>		
<i>Survey No.11,Nr. Kalpataru Society, Village : Zundal.</i>		
<i>Dist. :Gandhinagar-382421, Gujarat, INDIA. email: microcare25@microcaregroup.com</i>		
<b>PART NAME:</b>		
<b>PUMP BODY -2</b>		<b>SCALE</b> -
<b>MATERIAL:</b> SS - 304 / 316	<b>DESCRIPTION:</b> Weight:- 2.3 Kgs	<b>DATE</b> 18-11-2011