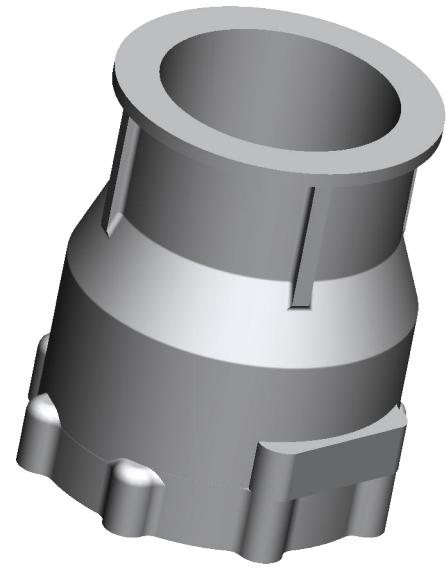
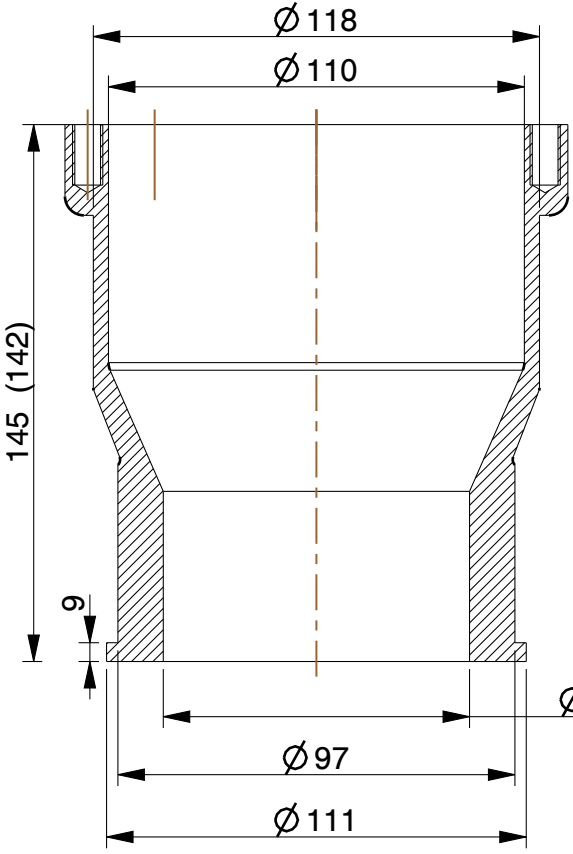
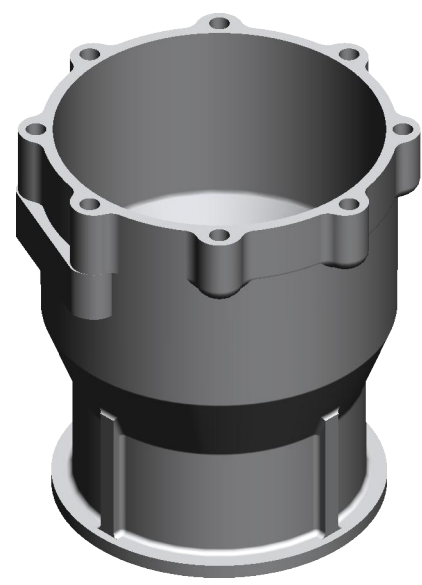
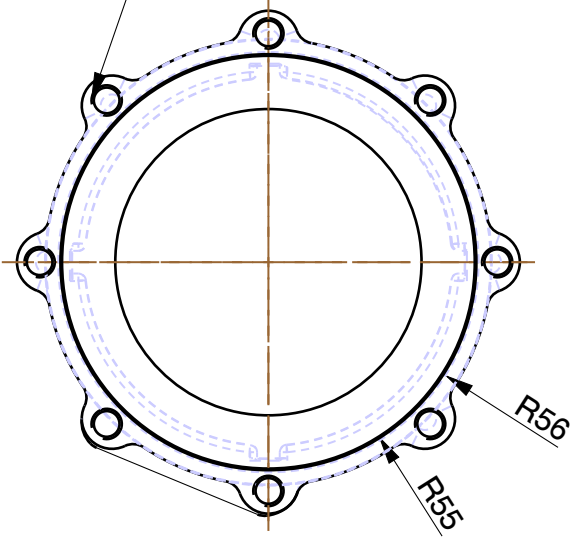


E D B A

M8 TAPPING ,DEEP 16
AT P.C.D. Ø 121 ,8 NOS.



Ø 81 (11 TPI - 3" THREAD)

SECTION A-A

- NOTE:-
- 1).ALL DIMENSIONS ARE IN mm.
 - 2).DO NOT SCALE,IF ANY DOUBT PLEASE ASK.
 - 3).ALL DIMENSIONS ARE AS MACHINED.

MICROCARE TECHNIQUES P. LTD.		
<i>Survey No.11,Nr. Kalpataru Society,Village : Zundal. Dist. :Gandhinagar-382421, Gujarat, INDIA. email: microcare25@microcaregroup.com</i>		
PART NAME:		SCALE
NRV_V6_3INCH_11_TPI		1 / 2
MATERIAL:	DESCRIPTION:	DATE
SS 304	Weight:--- 2.500 Kgs.	18-11-2011

5 4 2 1

5

4

2

1