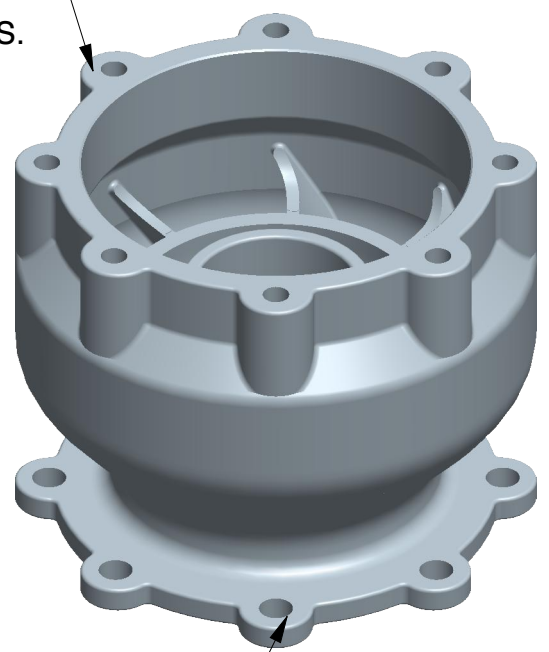
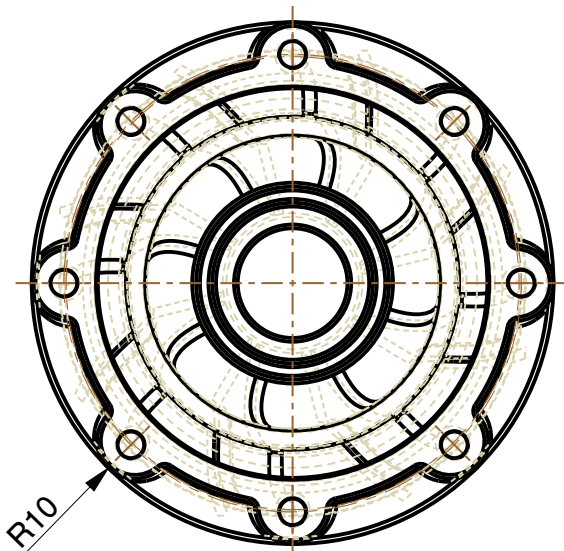
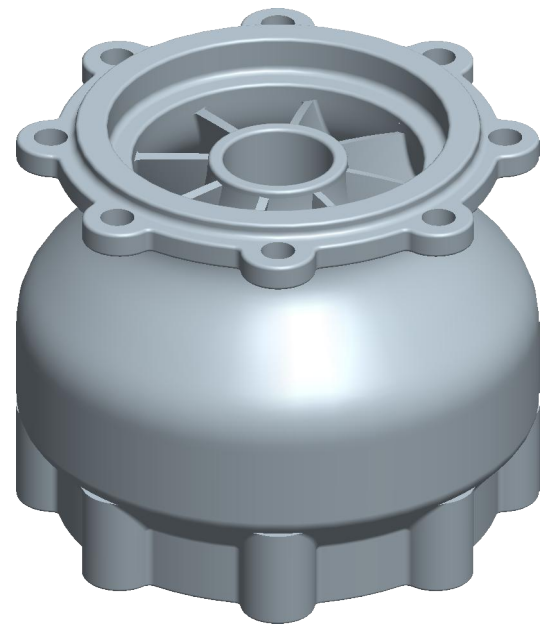
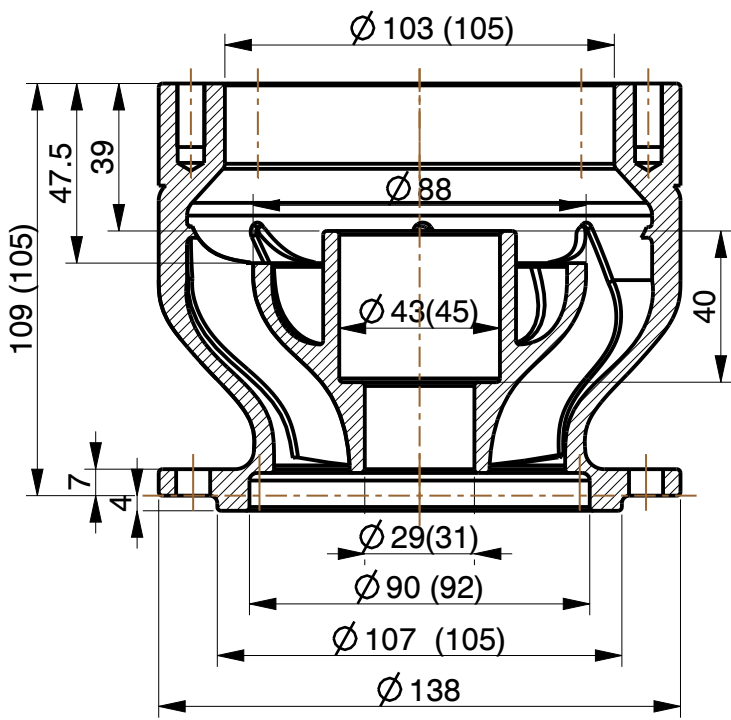


E D B A

M8 TAPPING ,DEEP 21
AT P.C.D. 121,8 NOS.



Ø9.5 THRU DRILL AT PCD 121,8N0S.



SECTION A-A

NOTE:-

- 1). ALL DIMENSIONS ARE IN mm.
- 2). DO NOT SCALE,IF ANY DOUBT PLEASE ASK.
- 3). ALL DIMENSIONS ARE AS CAST(Machined in bracket).

MICROCARE TECHNIQUES P. LTD.		
<i>Survey No.11,Nr. Kalpataru Society, Village : Zundal. Dist. :Gandhinagar-382421, Gujarat, INDIA. email: microcare25@microcaregroup.com</i>		
PART NAME:		SCALE
BOWL - 302 - V / 6		1 / 2
MATERIAL:	DESCRIPTION:	DATE
SS 304	WEIGHT (AS CAST):--- 3.500Kgs.	18-11-2011

5 4 2 1