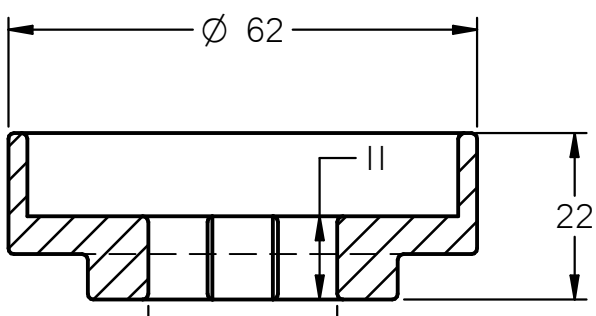
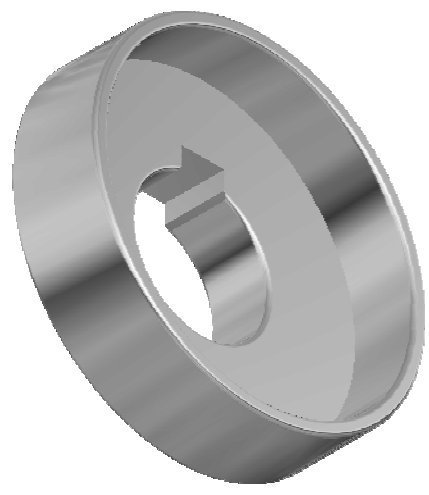
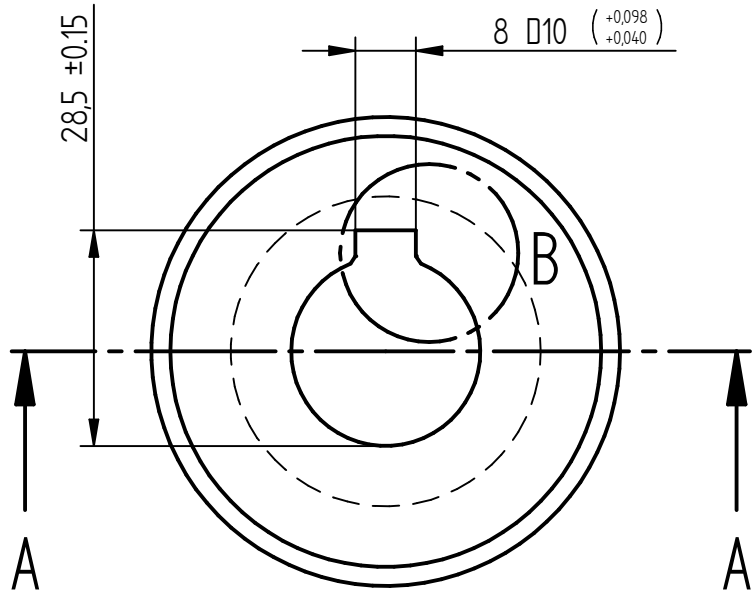
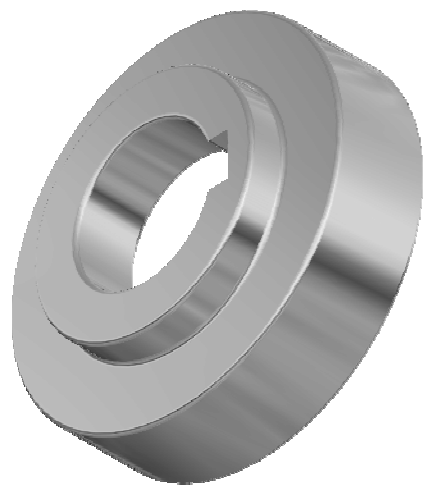


**DETAIL B**



Ø 25 H7 (+0.021 / 0)



**SECTION A-A**

**SAND GUARD - 25 MM BORE**

Scale : N.T.S.

Material : S.S. 410

Date : 06 . 03 . 2012

**BROACH LENGTH - 11 MM**

**FORGED / CAST**