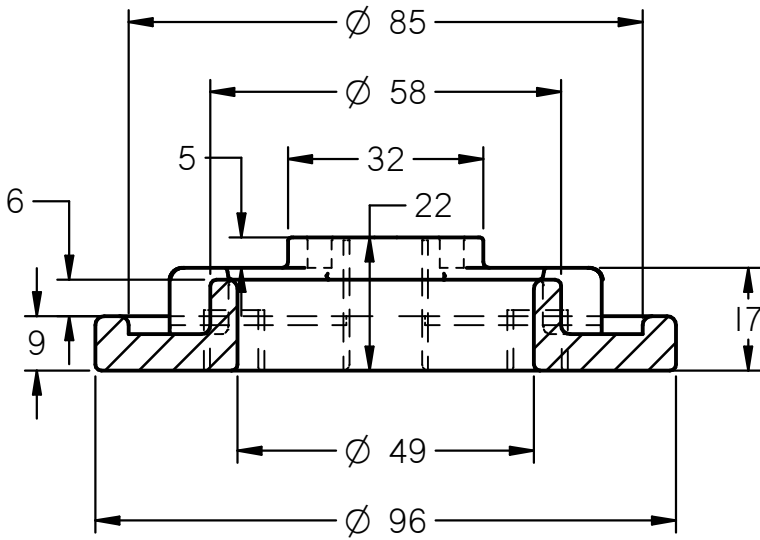
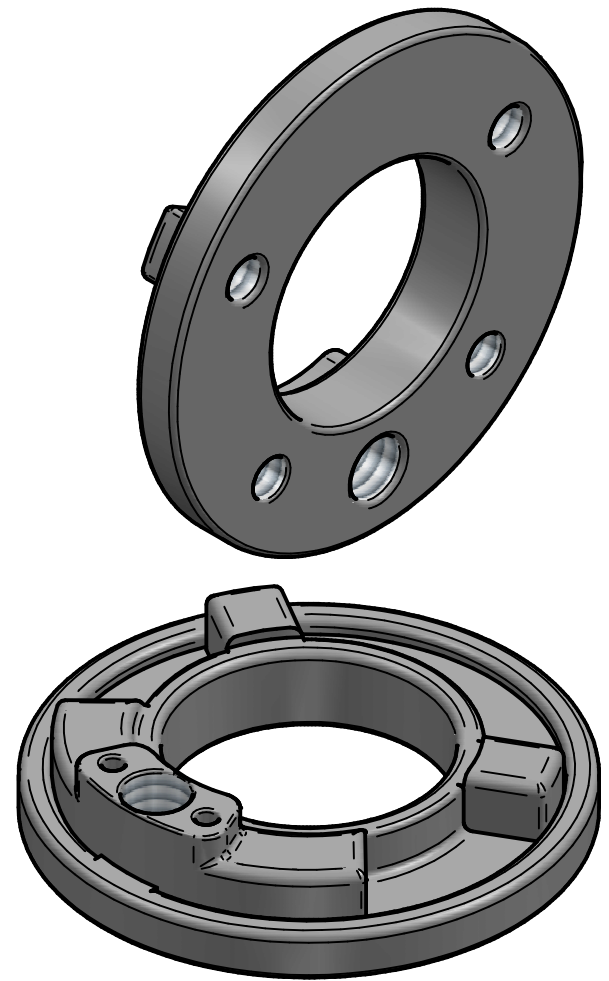


SECTION B-B



SECTION A-A



Material : S.S. 304	<b>UPPER FLANGE</b>	
Weight : 0.450 KG		
Borewell : 4"		<b>USE FOR MOTOR STATOR</b>
Scale : N.T.S.		
Date : 20 . 03 . 2012		