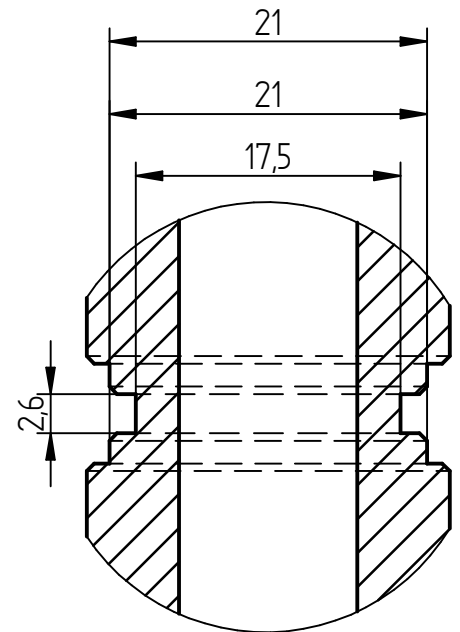
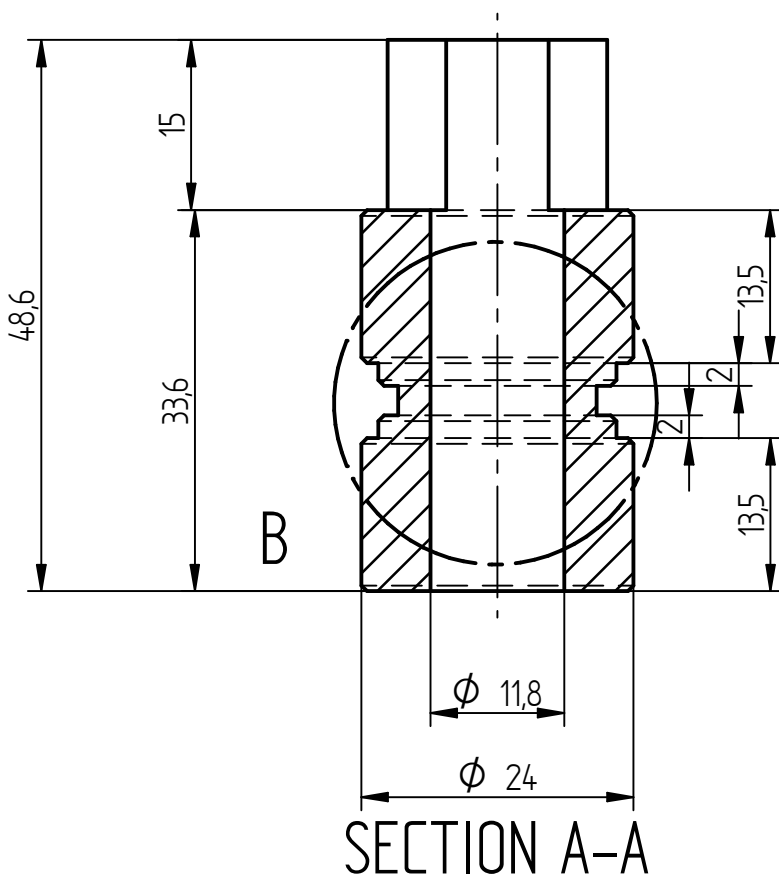
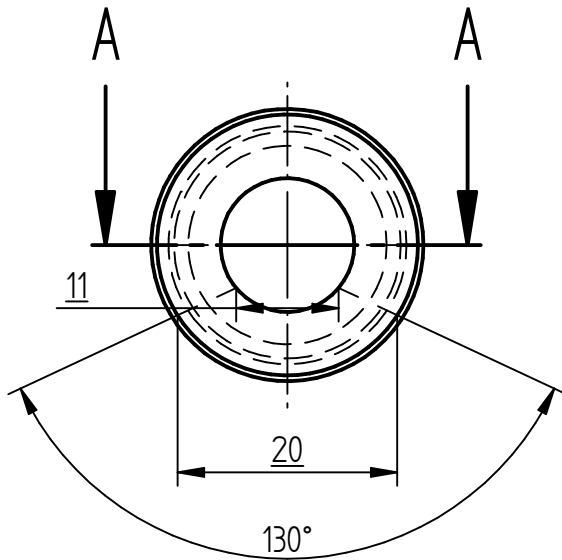
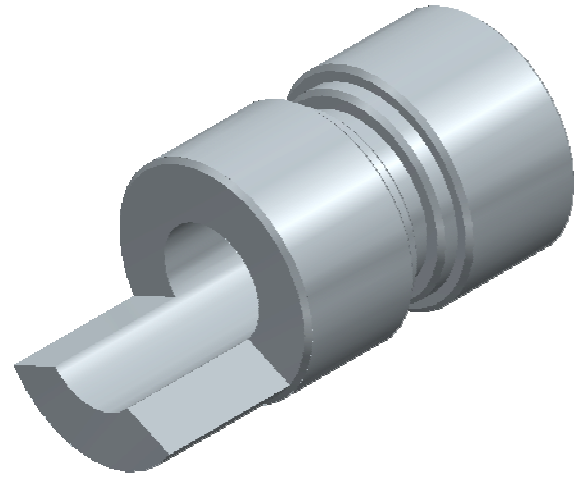




Date : 17 . 02 . 2012



DETAIL B

|                           |                            |
|---------------------------|----------------------------|
| Material : S.S. 410 / 304 | <b>SMALL NEMA COUPLING</b> |
| Weight : 0.096 KG         |                            |
| Borewell : 4"             | <b>AS CAST</b>             |
| Scale : N.T.S.            |                            |
| Date : 09 . 01 . 2012     | <b>Inv. Cast</b>           |