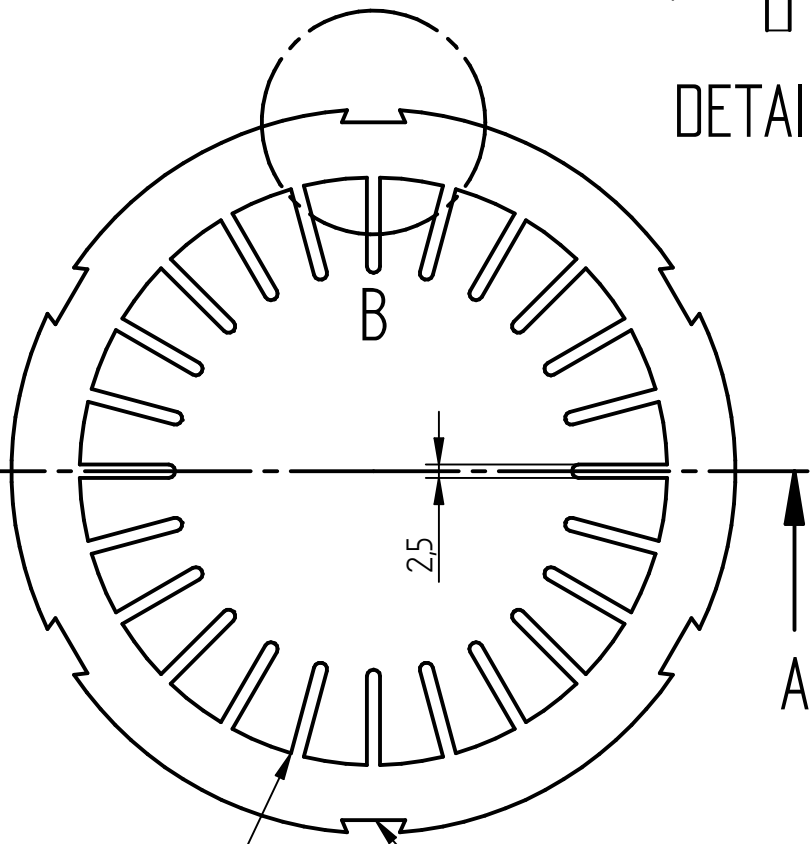
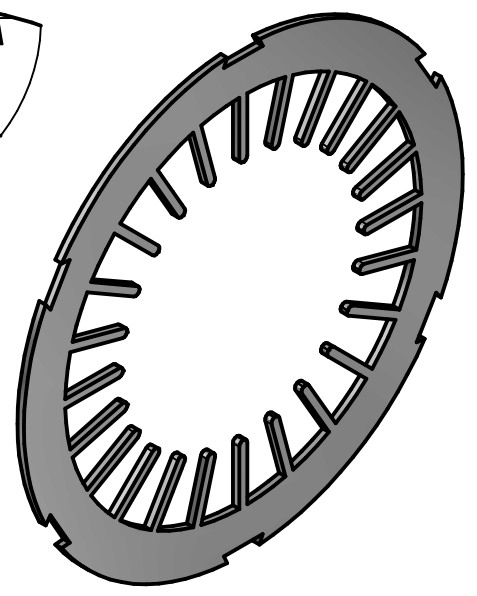
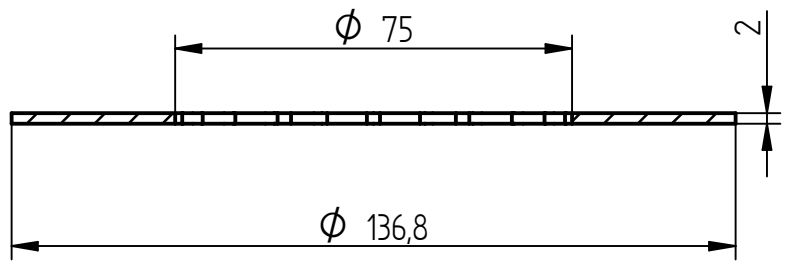
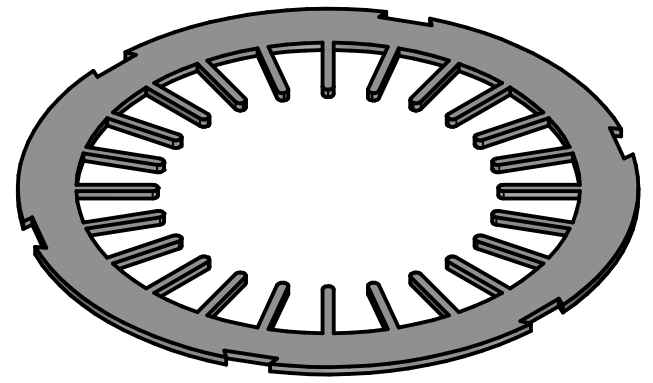


DETAIL B



24 SLOTS EQ. SP.

6 DOVETAILES EQ. SP.



SECTION A-A

Material : S.S. 410 / 304	<b>END LAMINATION</b>
Weight : Gms.	
Borewell : 6"	<b>USE FOR MOTOR STATOR</b>
Scale : N.T.S.	
Date : 19 . 03 . 2012	<b>SHEET METAL OR PUNCHING</b>