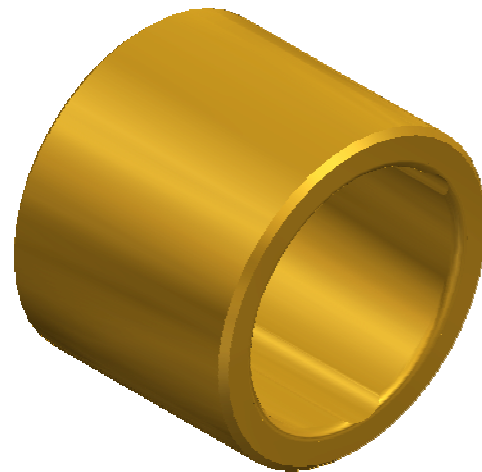
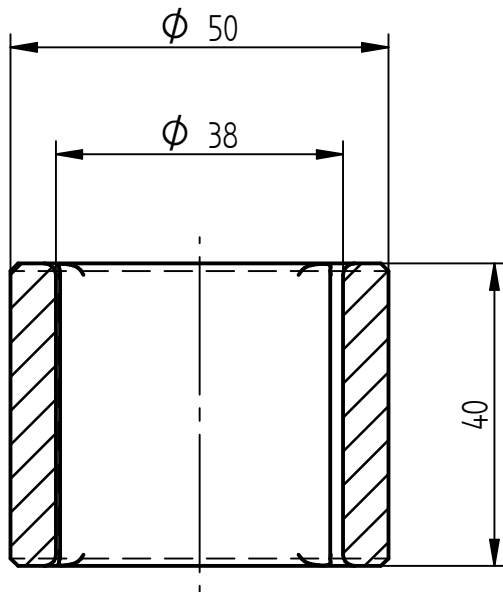


3 SLOTS
WATER LUBRICANT



SECTION A-A

Material : G.M.	BEARING BUSH
Weight : 0.380 kg	
Borewell : 4" / 6" / 8"	SIZE : 38 X 50 X 40
Scale : N.T.S.	
Date : 23 . 03 . 2012	SAND CAST