

4 3 2 1

H

G

F

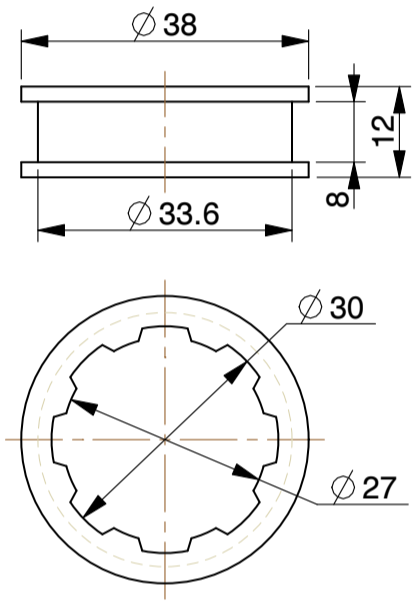
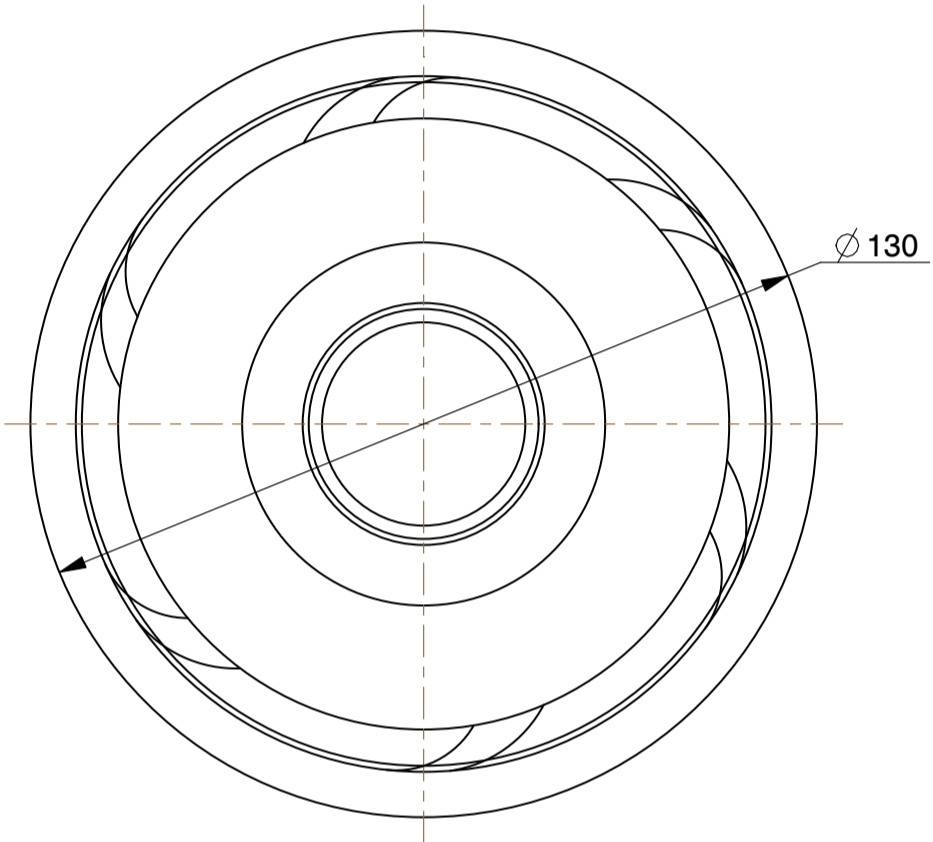
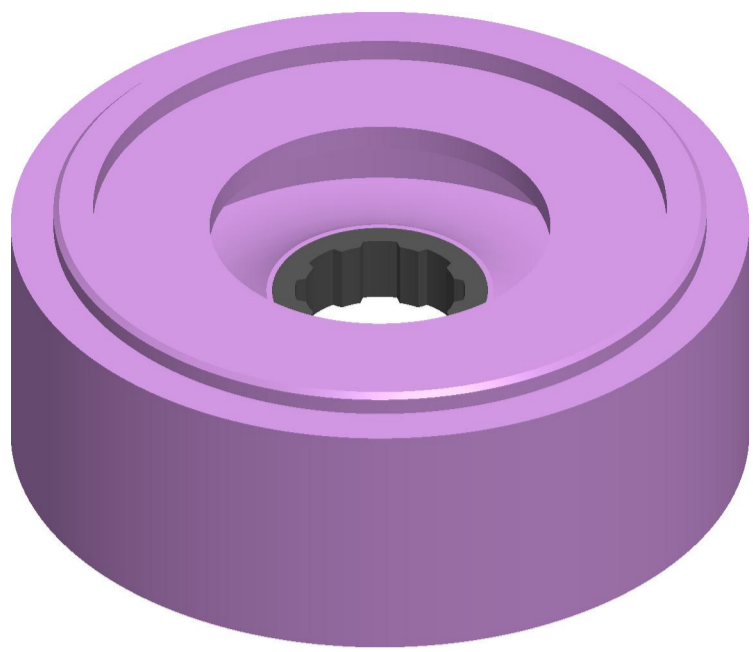
E

D

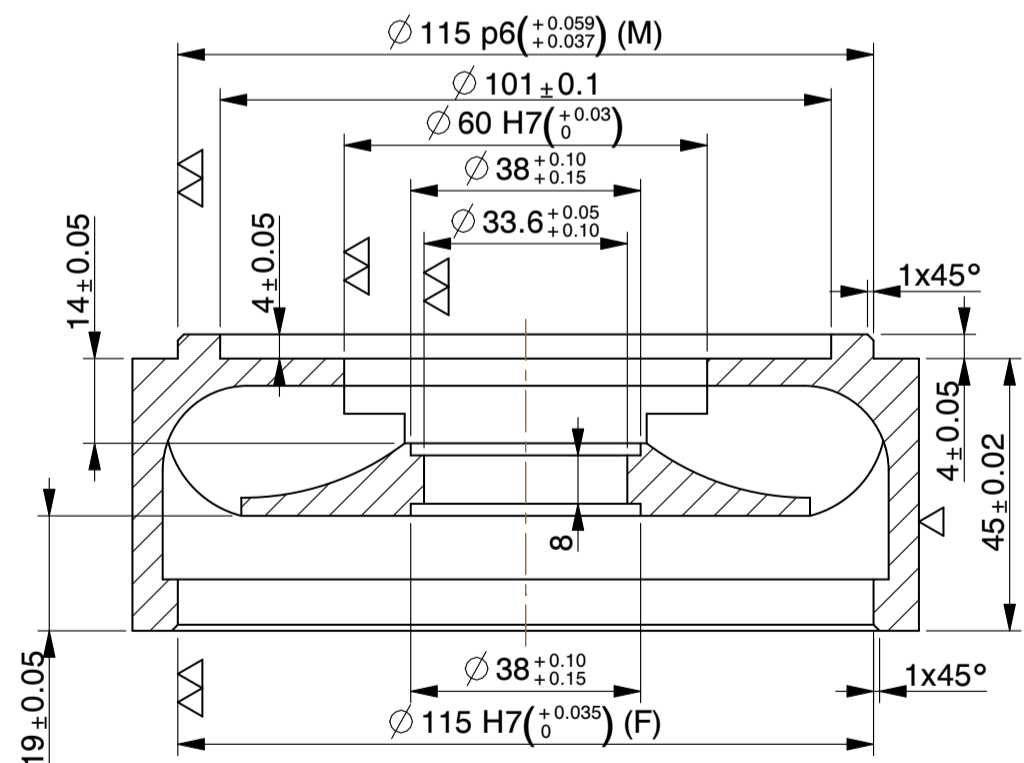
C

B

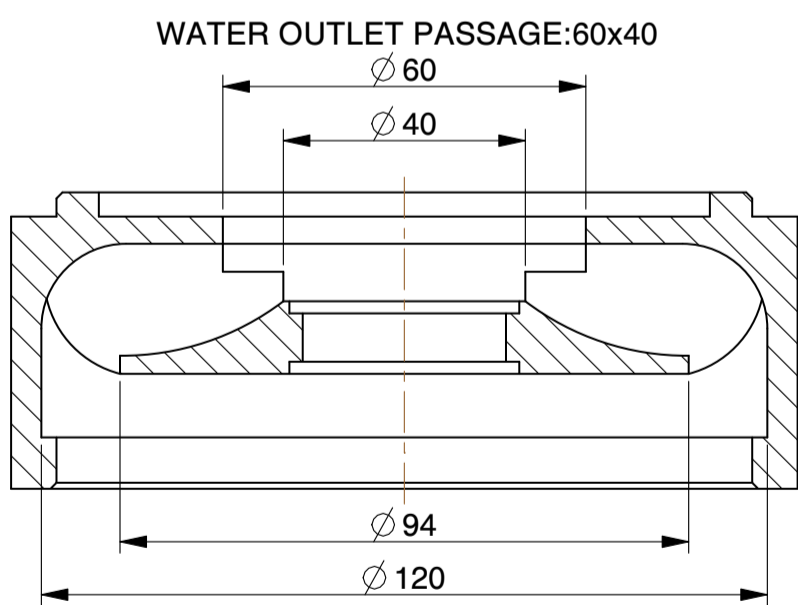
A



RUBER BUSH  
(INSIDE BOWL)



SECTION A-A



WATER INLET PASSAGE: 120x94  
SECTION B-B

- NOTE:-
- 1).ALL DIMENSIONS ARE IN mm.
  - 2).DO NOT SCALE,IF ANY DOUBT PLEASE ASK.
  - 3).ALL DIMENSIONS ARE AS MACHINED.

VERTICAL GAP FOR IMPELLER MOVEMENT BETWEEN TWO BOWLS ASSEMBLY	15
WATER INLET PASSAGE:	120 x 94
WATER OUTLET PASSAGE:	60 x 40
WEIGHT (AS CAST)	2 Kg.

<b>MICROCARE TECHNIQUES P. LTD.</b>		
Survey No.11,Nr. Kalpataru Society, Village : Zundal.		
Dist. :Gandhinagar-382421, Gujarat, INDIA. email: microcare25@microcaregroup.com		
PART NAME:	<b>BOWL K45 WITH RUBBER BUSH</b>	SCALE 1:1
MATERIAL: CAST IRON	DESCRIPTION: -	DATE 17-05-2011

4 3 2 1