

4 3 2 1

H

G

F

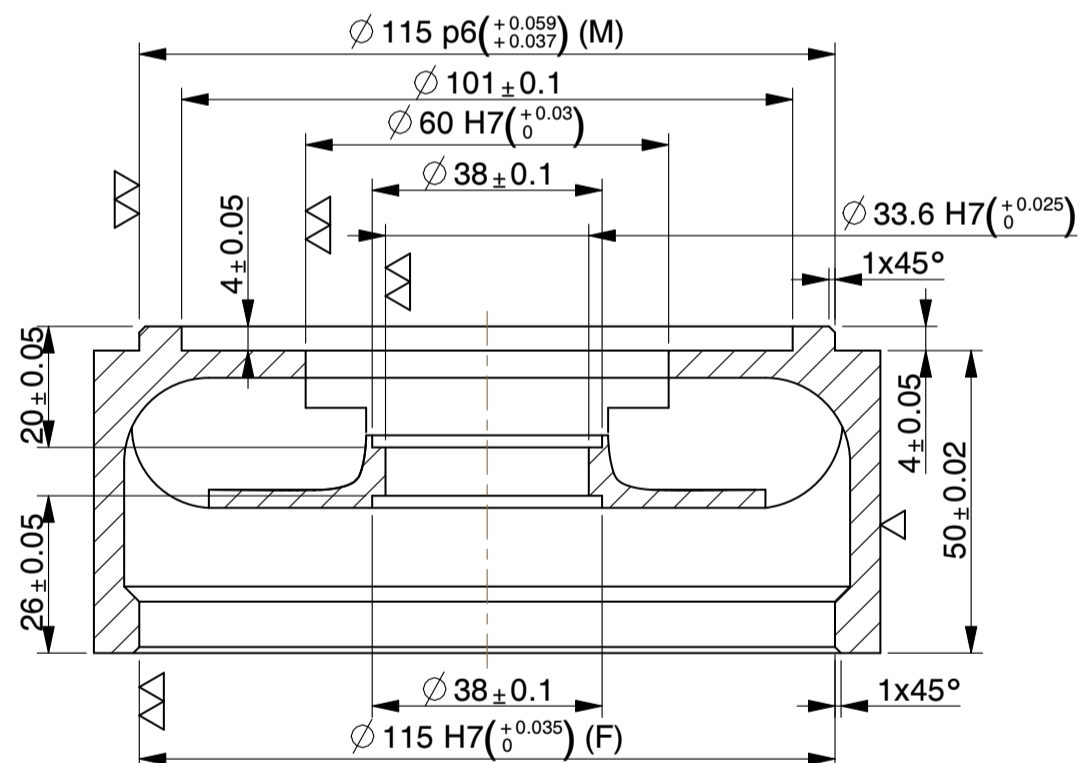
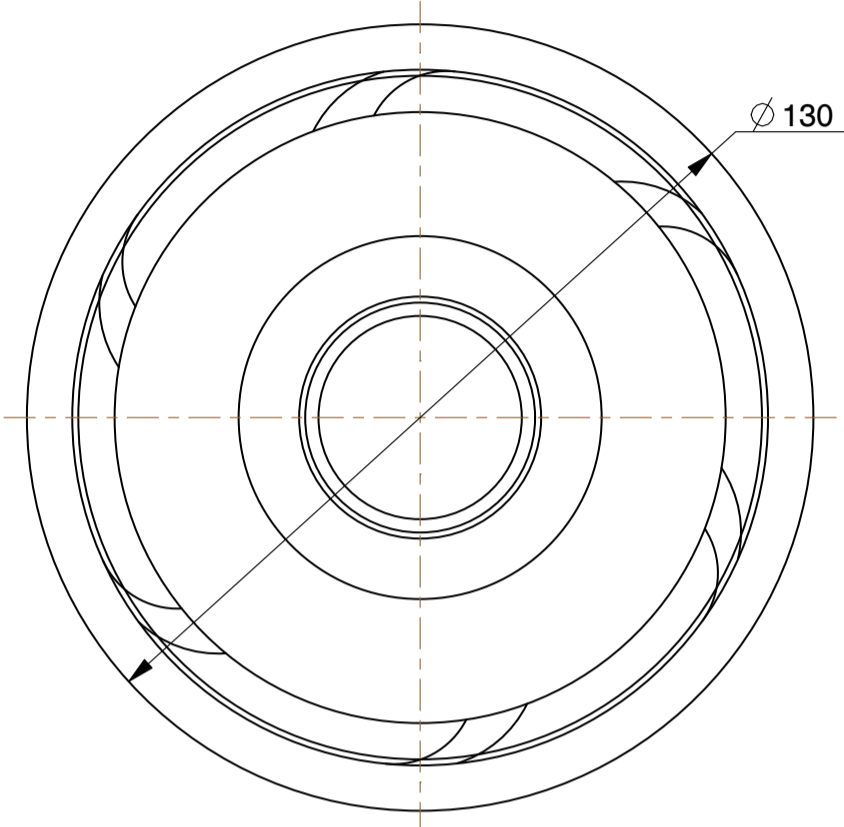
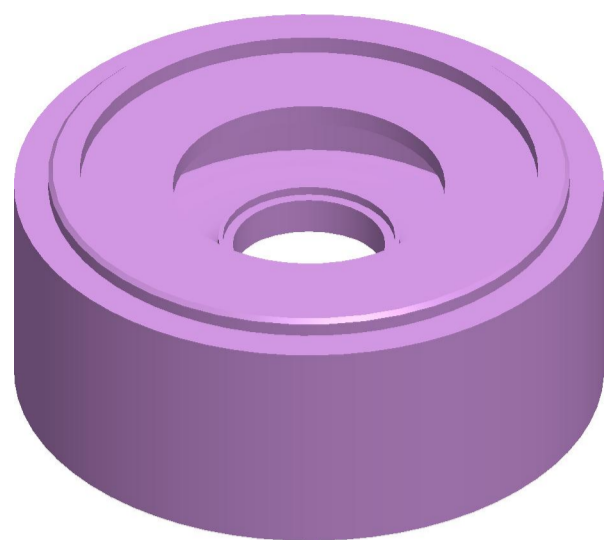
E

D

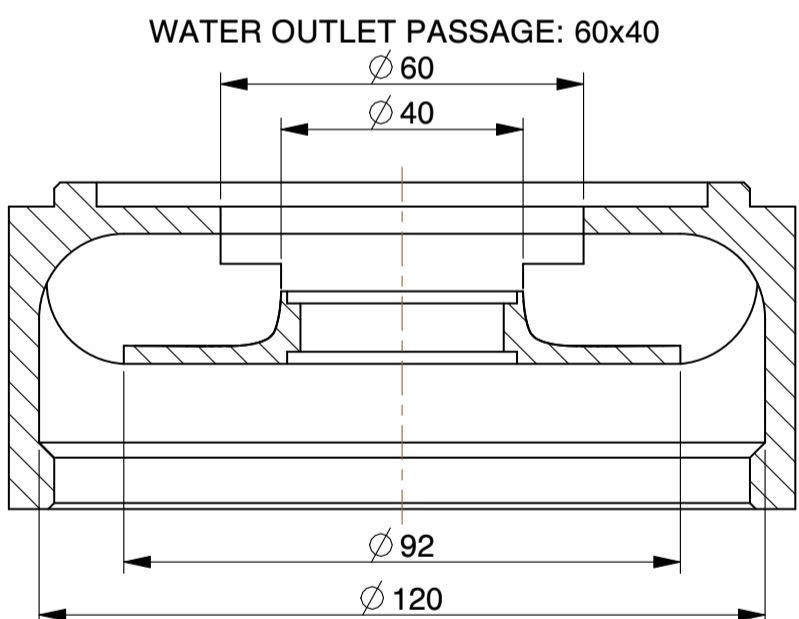
C

B

A



SECTION A-A



WATER INLET PASSAGE: 120x92
SECTION B-B

NOTE:-
1).ALL DIMENSIONS ARE IN mm.
2).DO NOT SCALE,IF ANY DOUBT PLEASE ASK.
3).ALL DIMENSIONS ARE AS MACHINED.

WATER INLET PASSAGE:	120 x 92
WATER OUTLET PASSAGE:	60 x 40
WEIGHT (AS CAST)	2.150 Kg.

MICROCARE TECHNIQUES P. LTD.		
Survey No.11,Nr. Kalpataru Society, Village : Zundal.		
Dist. :Gandhinagar-382421, Gujarat, INDIA. email: microcare25@microcaregroup.com		
PART NAME:		SCALE
BOWL - K50		1:1
MATERIAL:	DESCRIPTION:	DATE
CAST IRON	-	17-05-2011

4 3 2 1