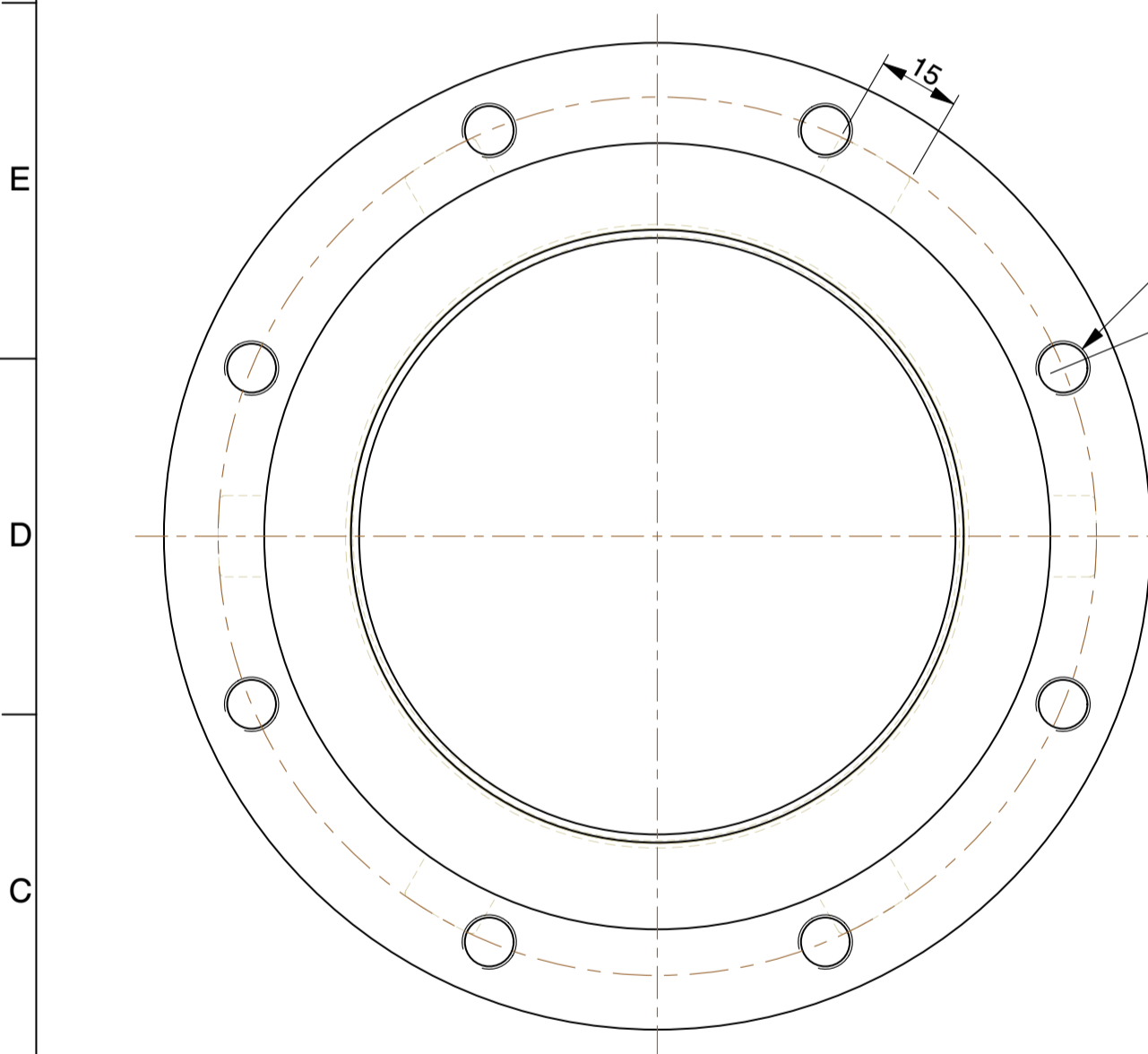
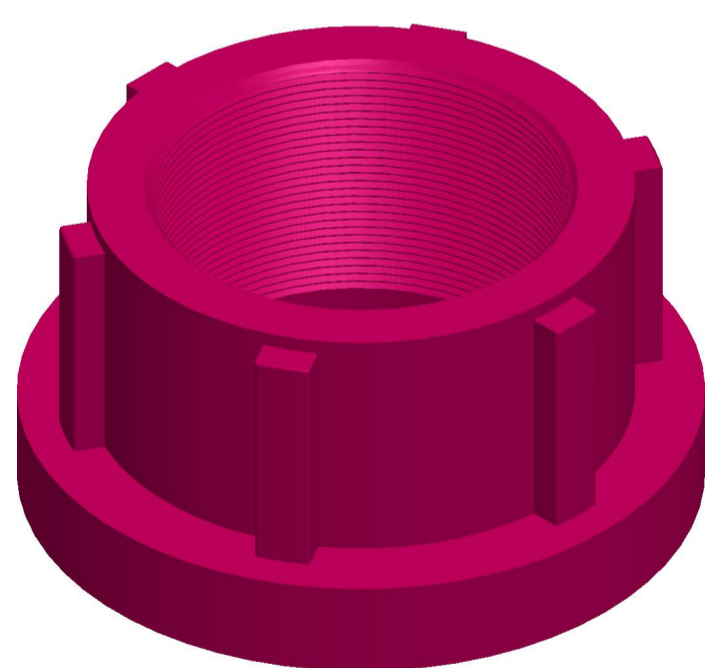


SECTION A-A



8 EQUI SPACED BLIND HOLES
OF $\phi 8.5$ * DEEP 18
WITH TAPPING OF M10 DEEP ON PCD 162



WEIGHT (AS CAST) :- 6.9 Kg.

NOTE:-
1).ALL DIMENSIONS ARE IN mm.
2).DO NOT SCALE,IF ANY DOUBT PLEASE ASK.
3).ALL DIMENSIONS ARE AS MACHINED.

MICROCARE TECHNIQUES P. LTD.		
Survey No.11,Nr. Kalpataru Society, Village : Zundal. Dist. :Gandhinagar-382421, Gujarat, INDIA. email: microcare25@microcaregroup.com		
PART NAME:	NRV - 384 - 4" SHORT	SCALE 1:1
MATERIAL: CAST IRON	DESCRIPTION: -	DATE 17-05-2011