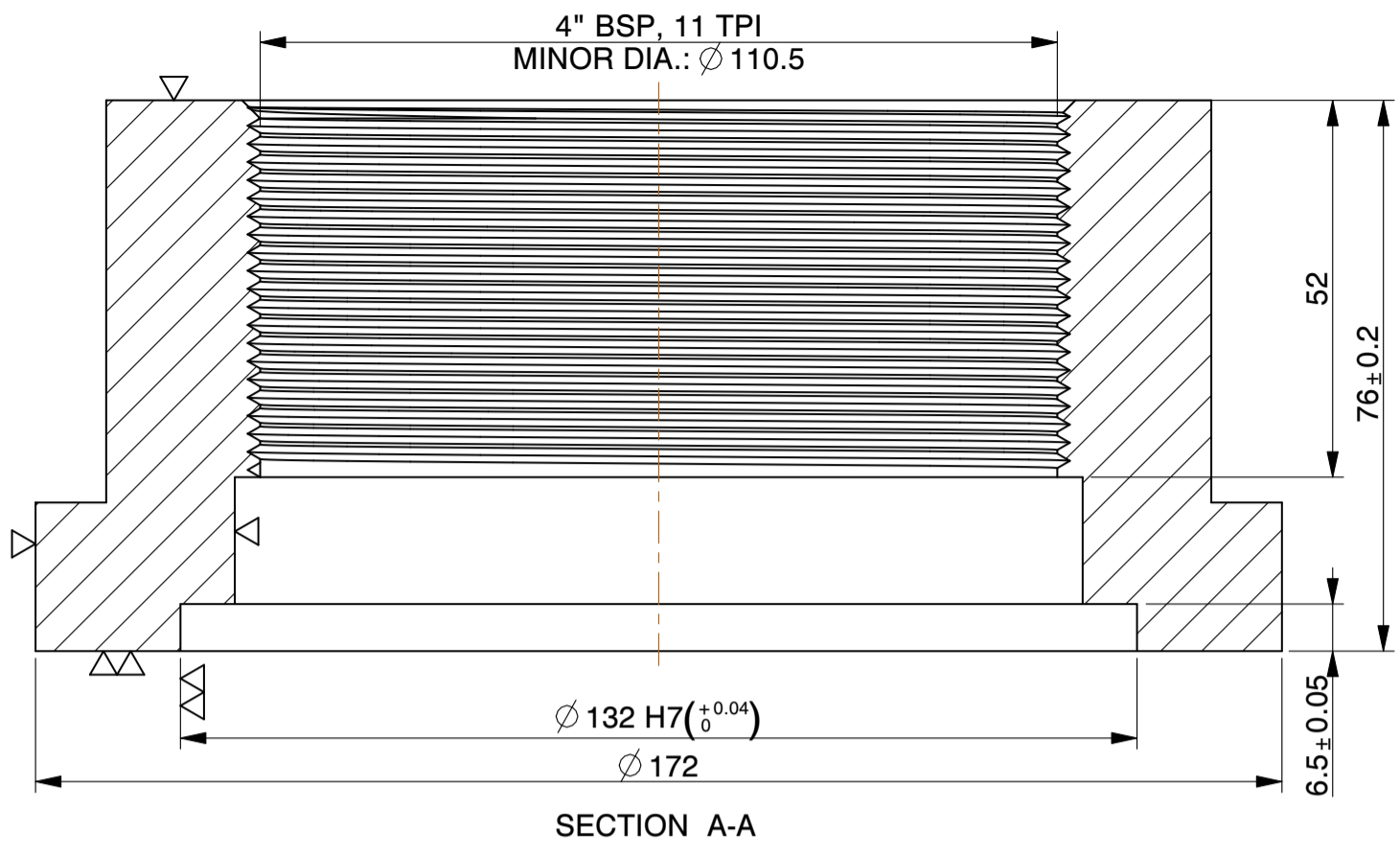


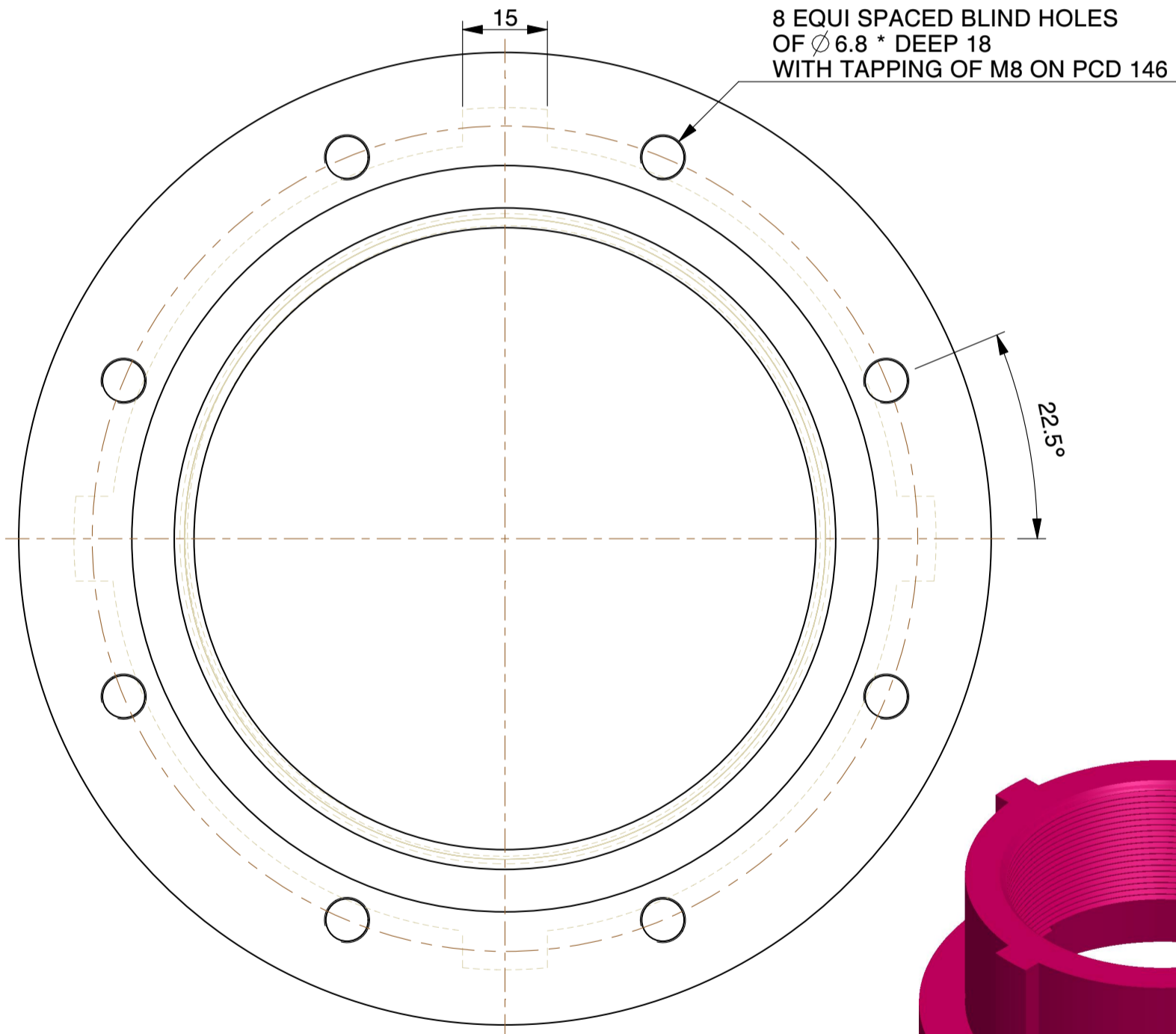
4 3 2 1

H  
G  
F  
E  
D  
C  
B  
A

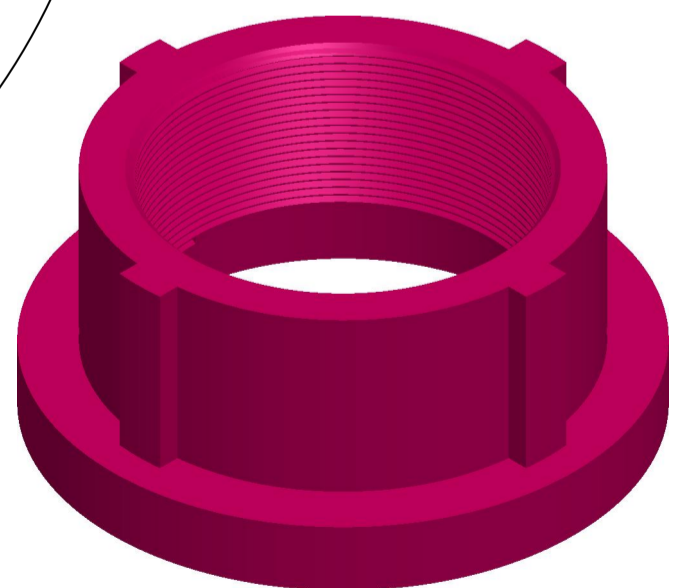
H  
G  
F  
E  
D  
C  
B  
A



SECTION A-A



8 EQUI SPACED BLIND HOLES  
OF  $\phi 6.8$  \* DEEP 18  
WITH TAPPING OF M8 ON PCD 146



WEIGHT (AS CAST) :- 4.8 Kg.

NOTE:-  
1).ALL DIMENSIONS ARE IN mm.  
2).DO NOT SCALE,IF ANY DOUBT PLEASE ASK.  
3).ALL DIMENSIONS ARE AS MACHINED.

|   |                      |                    |
|---|----------------------|--------------------|
| <b>MICROCARE TECHNIQUES P. LTD.</b>   |                      |                    |
| Survey No.11,Nr. Kalpataru Society, Village : Zundal.<br>Dist. :Gandhinagar-382421, Gujarat, INDIA. email: microcare25@microcaregroup.com |                      |                    |
| PART NAME:  | NRV - 333 - 4" SHORT | SCALE<br>1:1       |
| MATERIAL:<br>CAST IRON  | DESCRIPTION:<br>-    | DATE<br>17-05-2011 |