

4 3 2 1

H

G

F

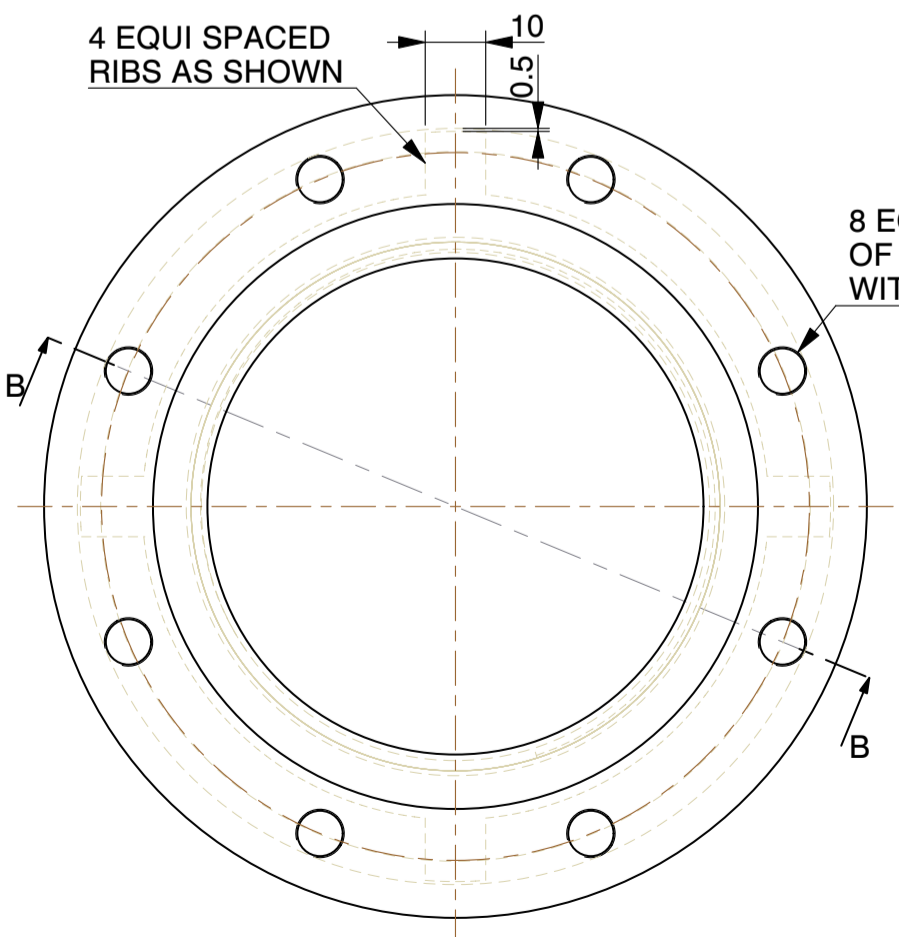
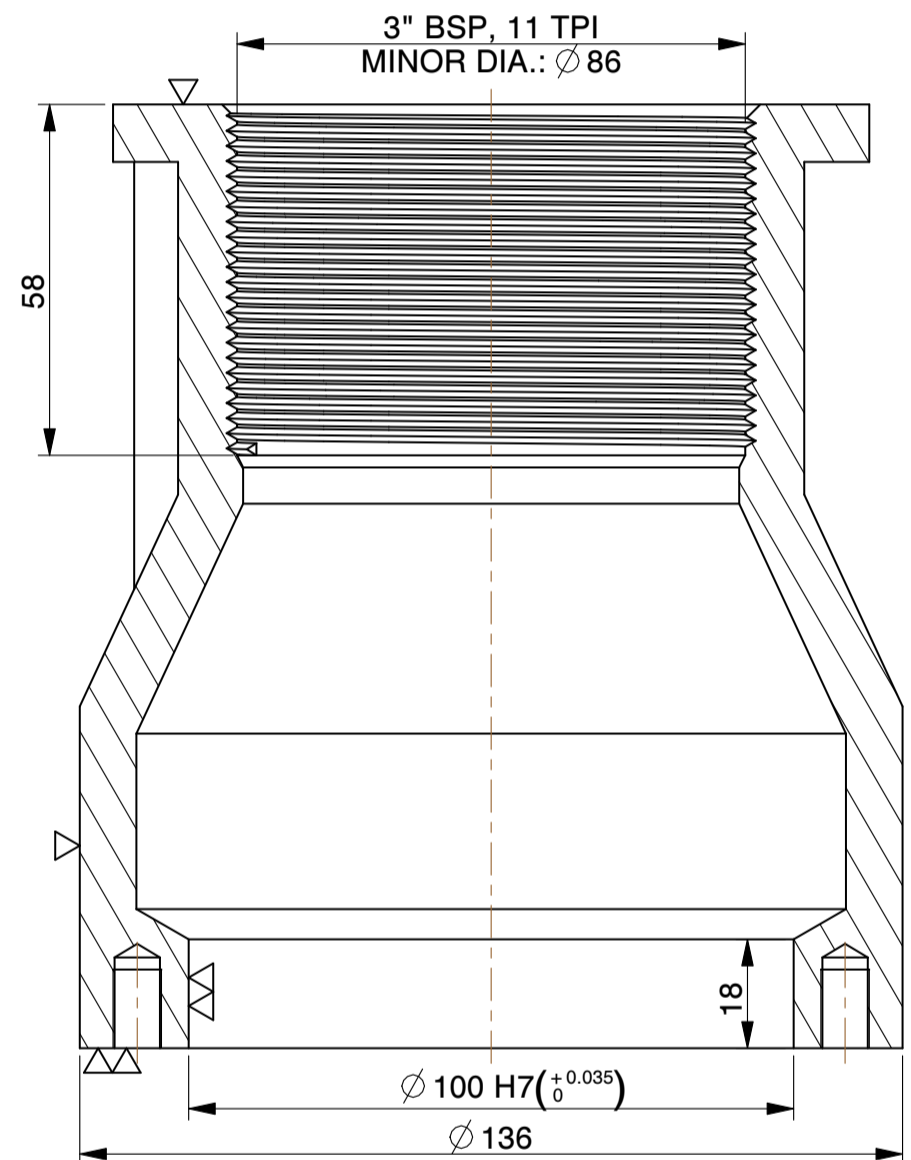
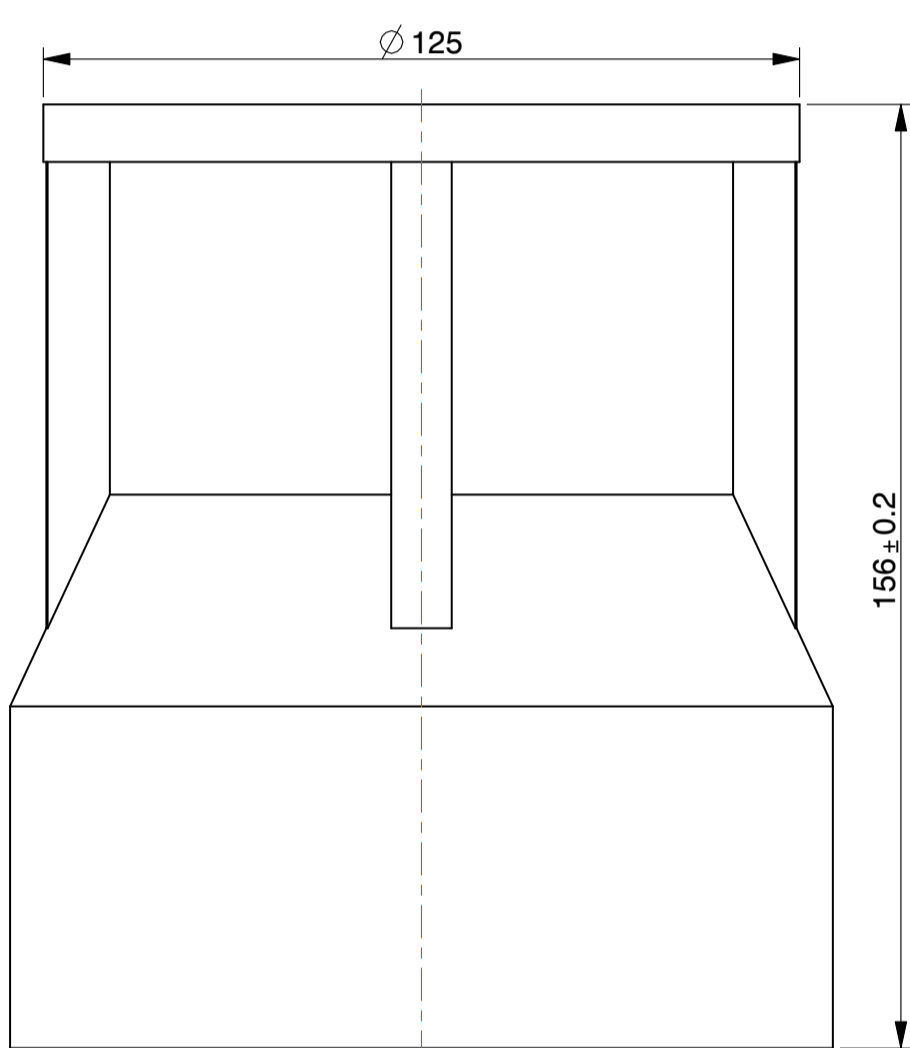
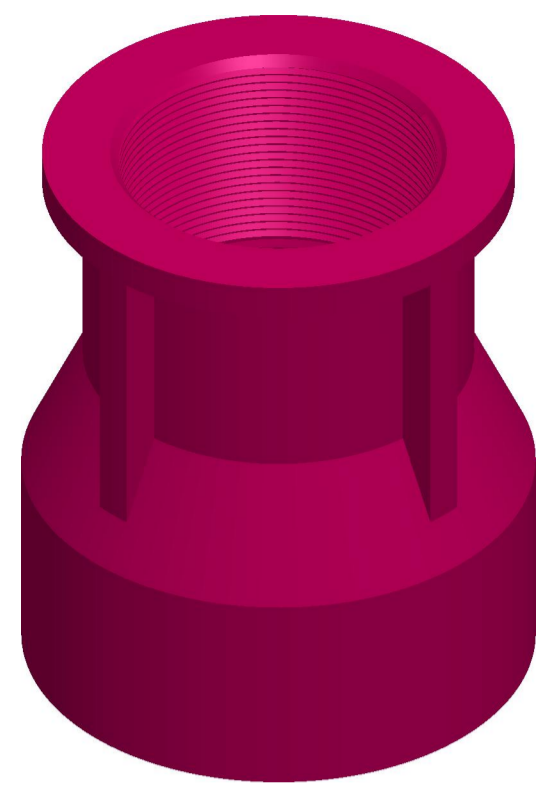
E

D

C

B

A



8 EQUI SPACED BLIND HOLES  
OF  $\phi 6.8$  \* DEEP 15  
WITH TAPPING OF M8 ON PCD 117

NOTE:-  
1).ALL DIMENSIONS ARE IN mm.  
2).DO NOT SCALE,IF ANY DOUBT PLEASE ASK.  
3).ALL DIMENSIONS ARE AS MACHINED.

WEIGHT (AS CAST) :- 5.7 Kg.

<b>MICROCARE TECHNIQUES P. LTD.</b>		
Survey No.11,Nr. Kalpataru Society, Village : Zundal.		
Dist. :Gandhinagar-382421, Gujarat, INDIA. email: microcare25@microcaregroup.com		
PART NAME: <b>NRV COMMON FOR 242 / 273 / 302 - 3"</b>		SCALE 1:1.25
MATERIAL: CAST IRON	DESCRIPTION: 3" BSP THREADS WITH 11 TPI	DATE 17-05-2011