

4 3 2 1

H

G

F

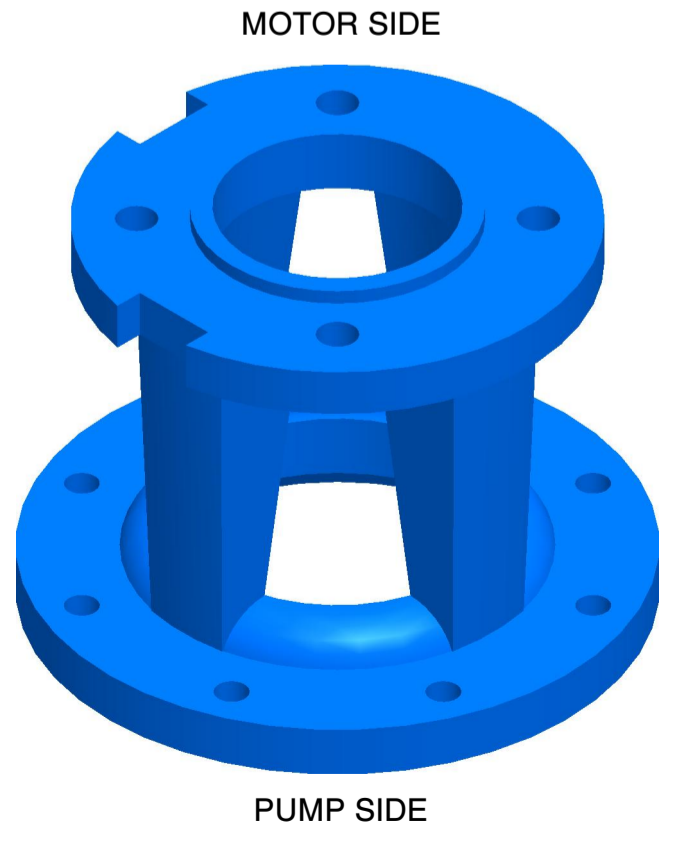
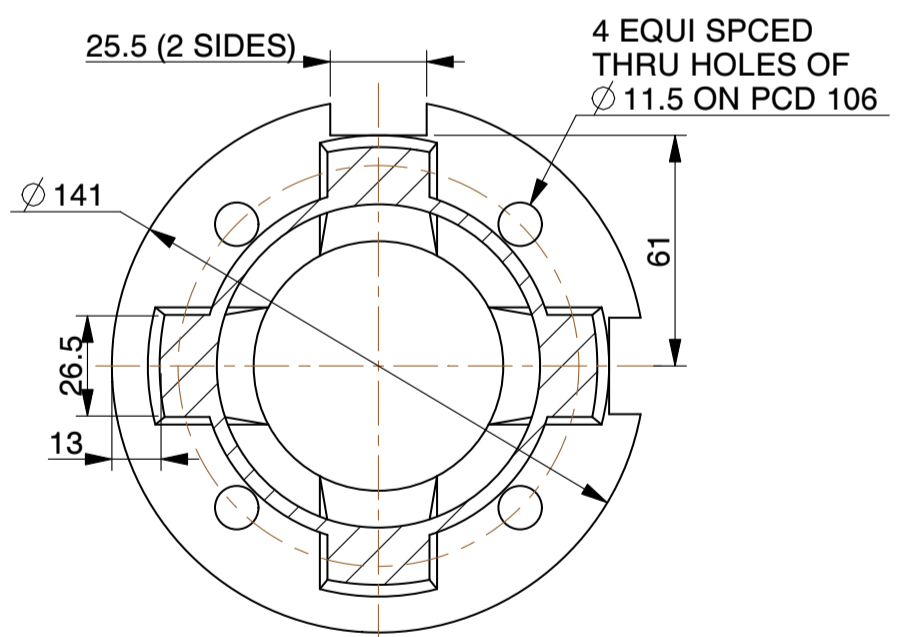
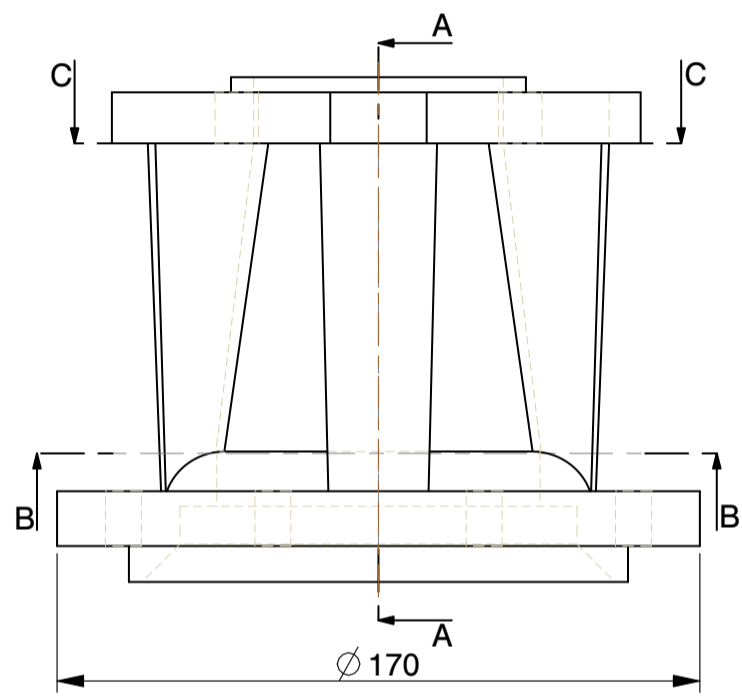
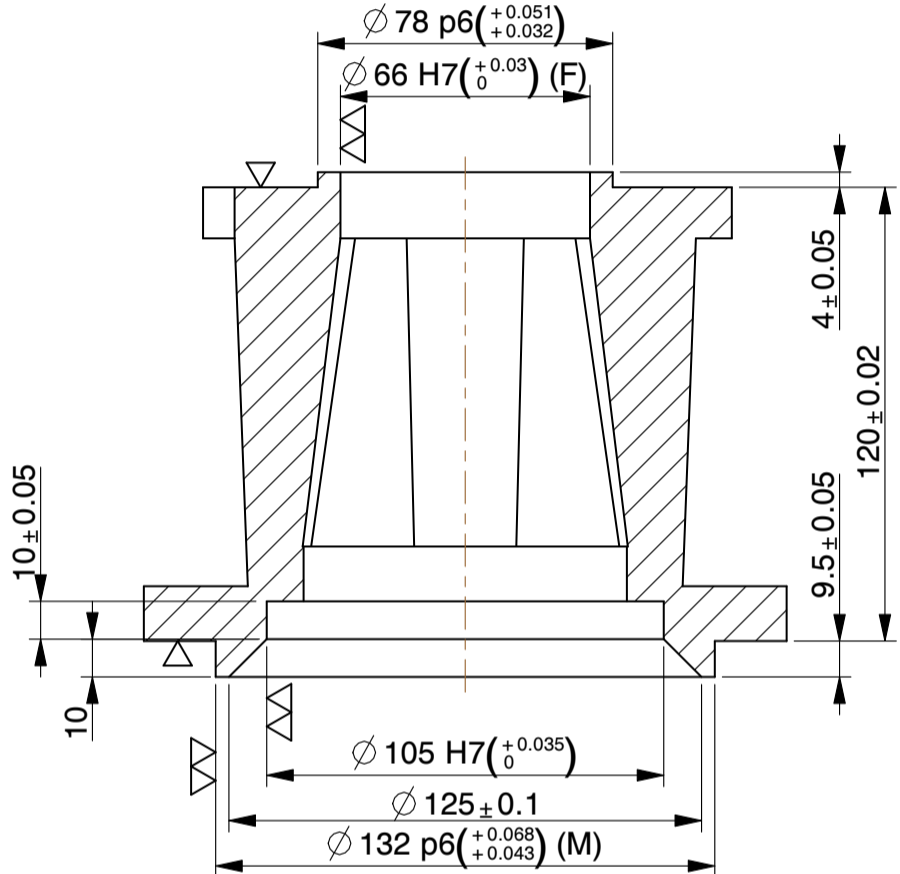
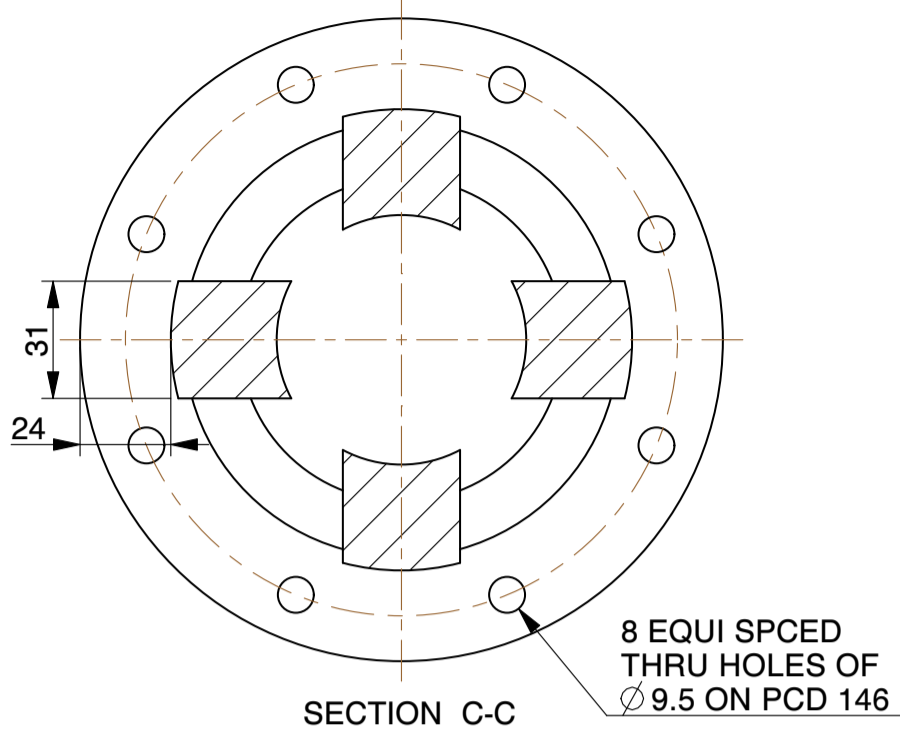
E

D

C

B

A



NOTE:-  
 1).ALL DIMENSIONS ARE IN mm.  
 2).DO NOT SCALE,IF ANY DOUBT PLEASE ASK.  
 3).ALL DIMENSIONS ARE AS MACHINED.

WEIGHT (AS CAST) :- 5.6 Kg.

<b>MICROCARE TECHNIQUES P. LTD.</b>		
Survey No.11,Nr. Kalpataru Society, Village : Zundal.		
Dist. :Gandhinagar-382421, Gujarat, INDIA. email: microcare25@microcaregroup.com		
PART NAME:		SCALE
IP V6 / V8 - 333		1:2
MATERIAL:	DESCRIPTION:	DATE
CAST IRON	-	17-05-2011

4 3 2 1

This Document is the exclusive property of company and shall not be used, copied or communicated to third parties without their prior authorization.

Associated Model File Name : IP\_V6-V8\_333