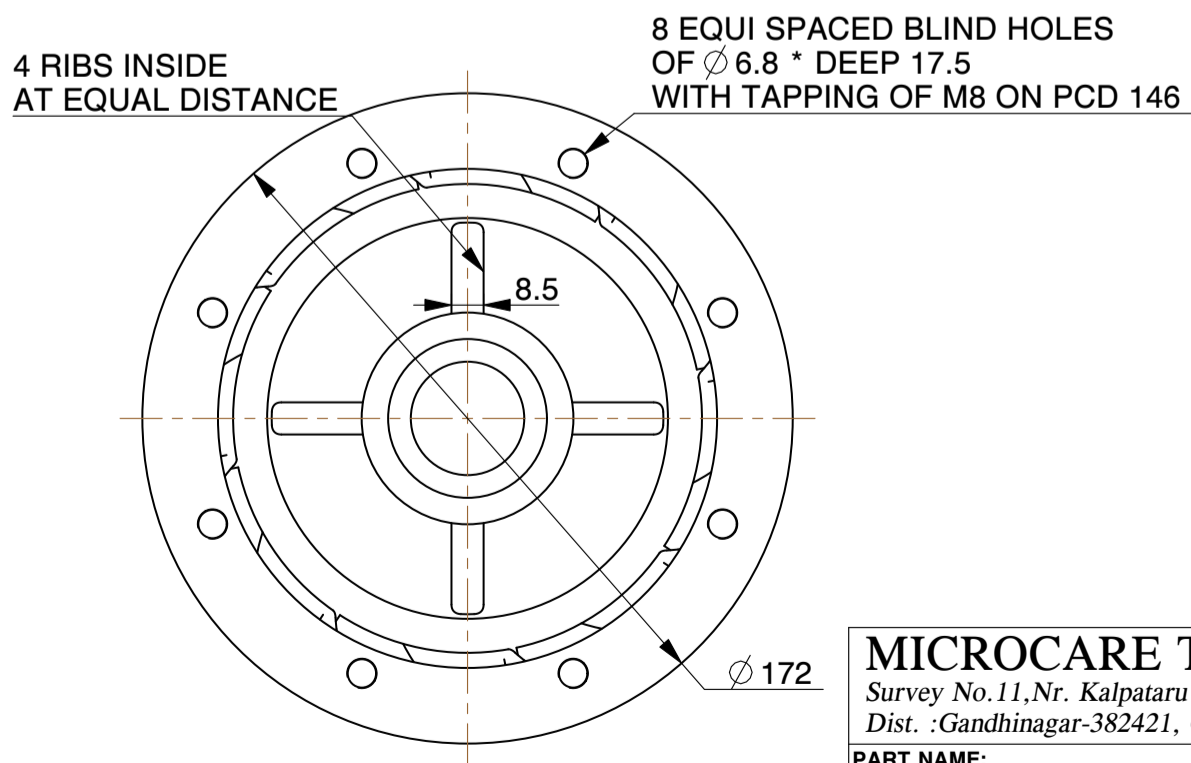
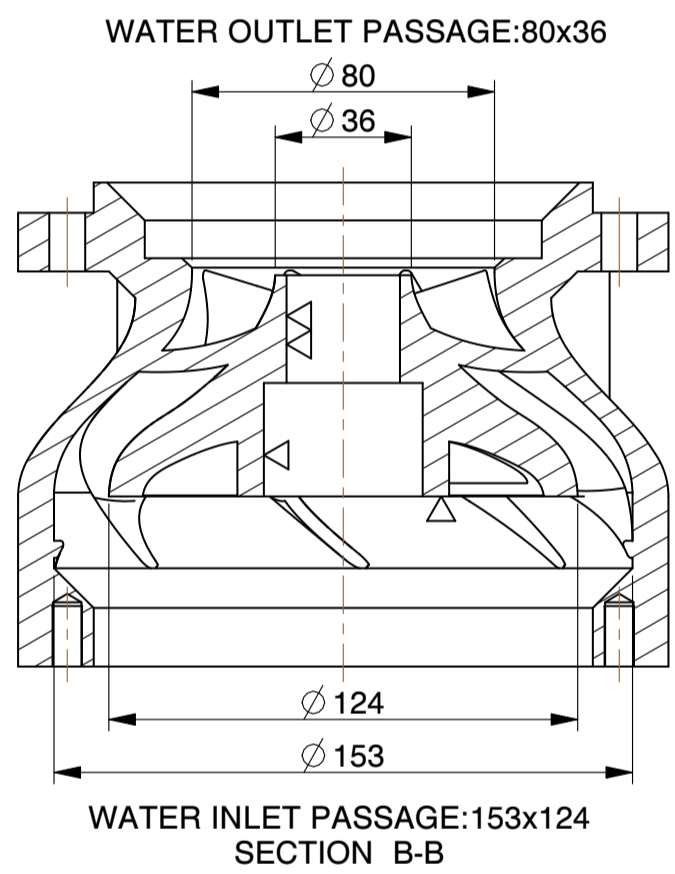
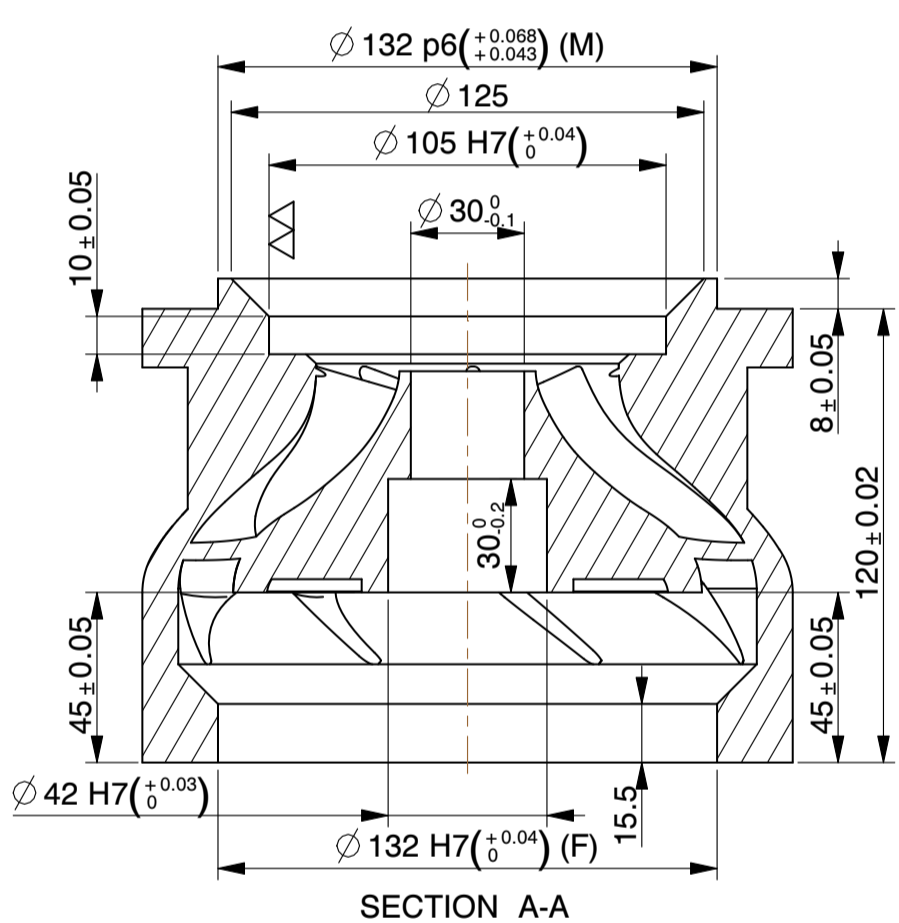
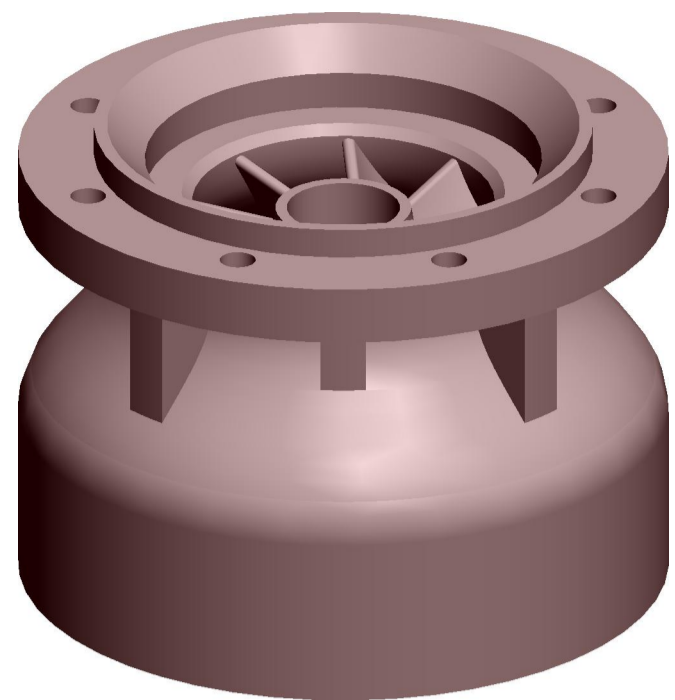
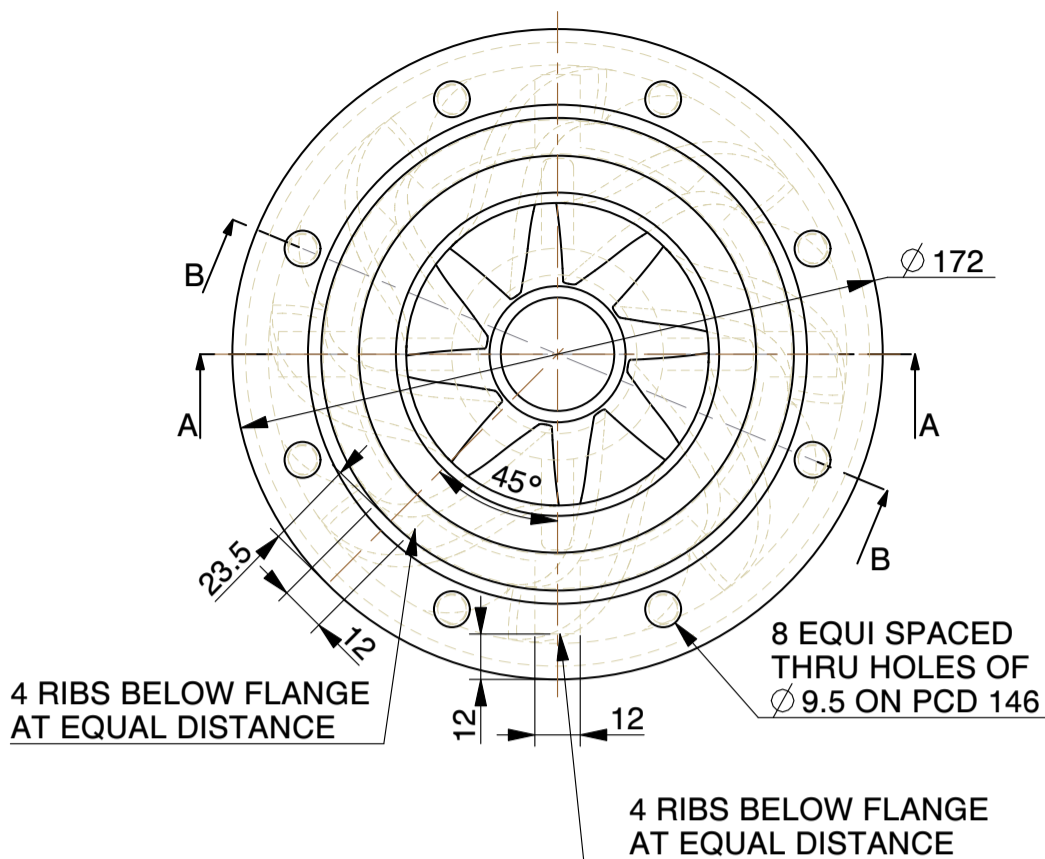


4 3 2 1

H G F E D C B A



VERTICAL GAP FOR IMPELLER MOVEMENT BETWEEN TWO BOWLS ASSEMBLY	57
WATER INLET PASSAGE:	153 x 124
WATER OUTLET PASSAGE:	80 x 36
WEIGHT (AS CAST)	8.9 Kg.

NOTE:-
 1).ALL DIMENSIONS ARE IN mm.
 2).DO NOT SCALE,IF ANY DOUBT PLEASE ASK.
 3).ALL DIMENSIONS ARE AS MACHINED.

MICROCARE TECHNIQUES P. LTD.
 Survey No.11,Nr. Kalpataru Society, Village : Zundal.
 Dist. :Gandhinagar-382421, Gujarat, INDIA. email: microcare25@microcaregroup.com

PART NAME: BOWL - 333		SCALE 1:2
MATERIAL: CAST IRON	DESCRIPTION: -	

4 3 2 1

This Document is the exclusive property of company and shall not be used, copied or communicated to third parties without their prior authorization.

Associated Model File Name : BOWL-333

Drawing File Name : BOWL-333