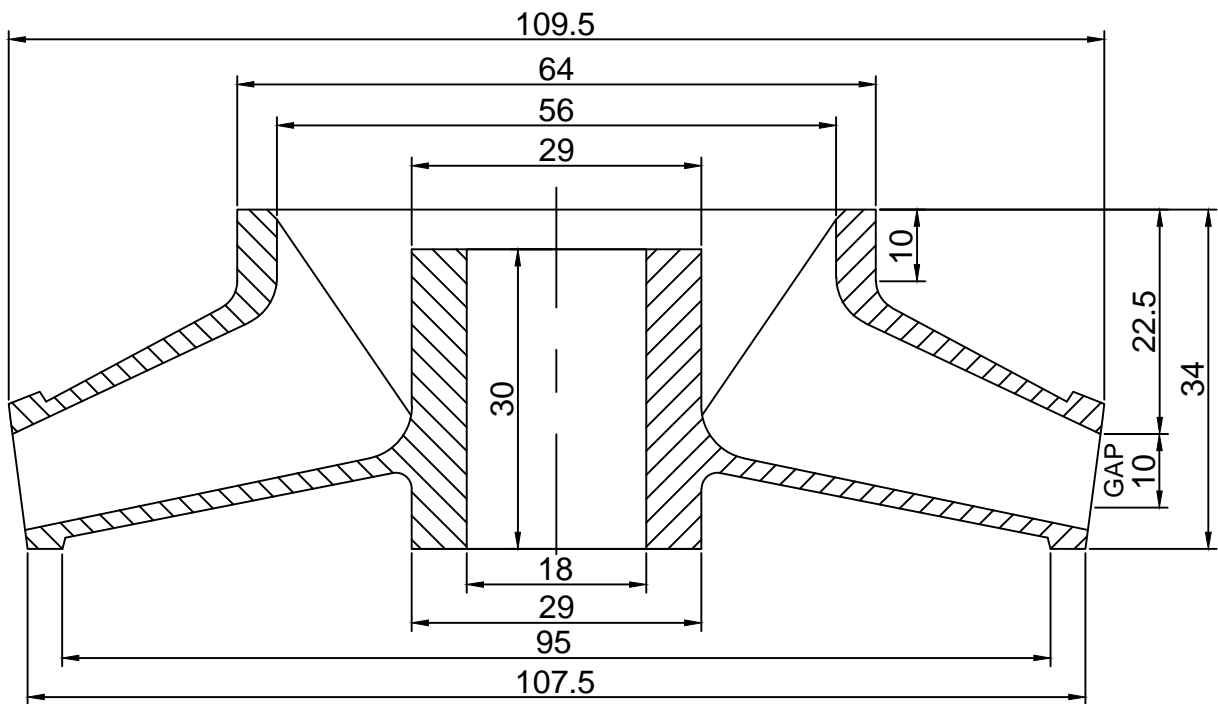


ML 1.25 IMPELLER



FOR SPRINKLERS- HIGHER HEAD

Model No	ML 1.25
Type of flow	Mixed flow
Borewell Size	6"
Flow Rate	5.00 m ³ /hr (300 LPM)
Head / Stage	9 m
Shut off Head	14 m
Power driven by pump / stage	0.93 KW (1.25 HP)
Rated RPM	2880 @ 50 Hz
No. of Blades	5 (CCW)
Production Method	Investment Casting
Weight (As cast)	0.500 (kg)
Compatible Bowl Model No.	BOWL - ML 1.25

NOTE:

ALL DIMENSIONS ARE - AS CAST
 ALL DIMENSIONS ARE IN MM UNLESS OTHERWISE SPECIFIED.
 DO NOT SCALE, IF IN DOUBT ASK.