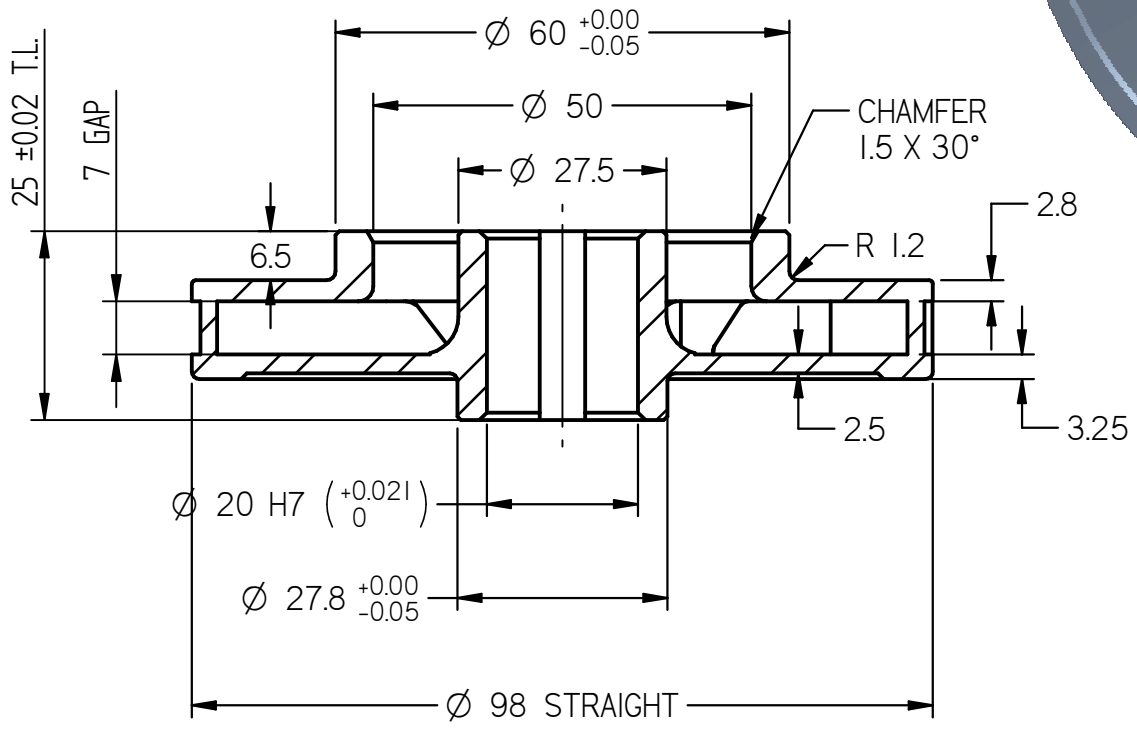
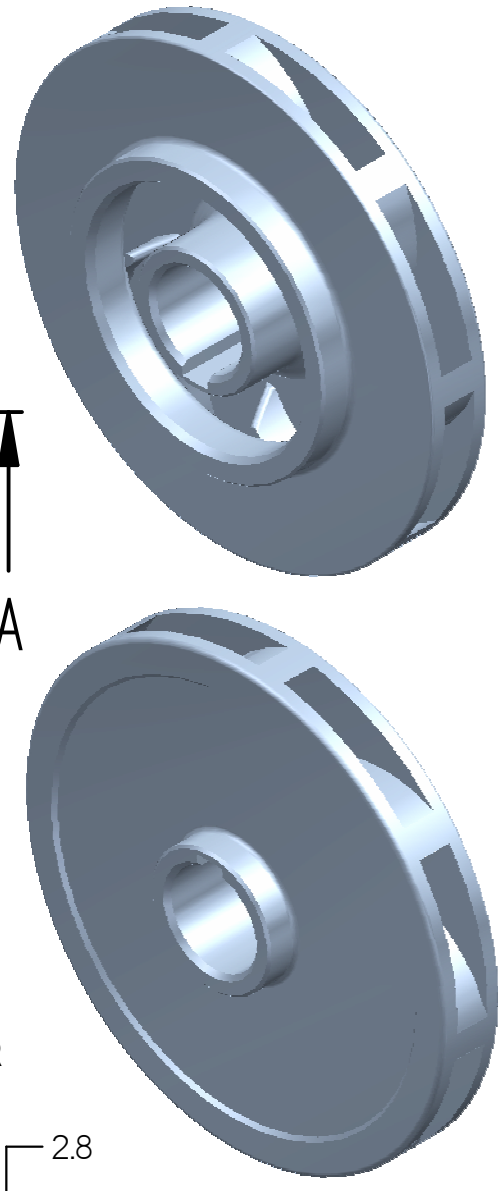
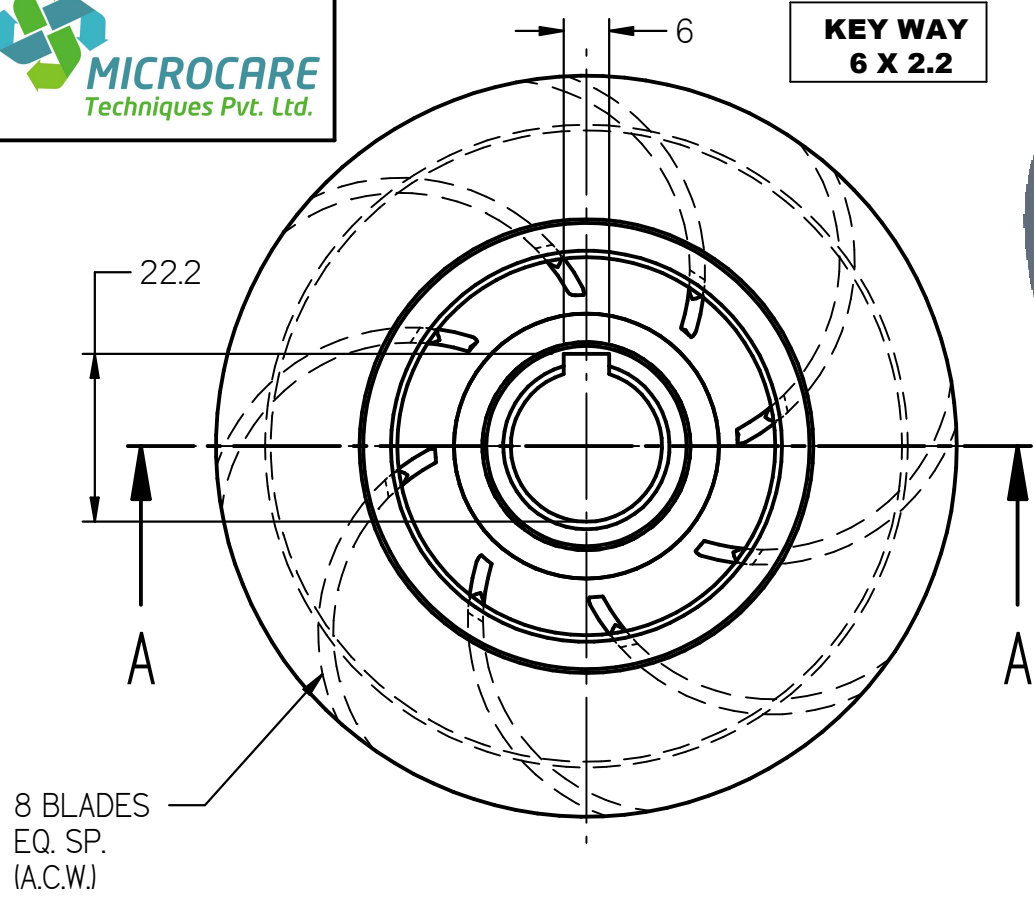


KEY WAY
6 X 2.2



SECTION A-A

NOTE : ALL DIMENSIONS ARE IN mm.
DO NOT SCALE, IF ANY DOUBT PLEASE ASK.
ALL DIMENSIONS ARE MACHININED

Material : S.S. 410	Head : Duty Point / Shut Off : 8 / 12 Mtrs.	K60 RF IMPELLER
Weight : 0.400 kg	Power : 0.6 H.P. / 0.45 K.W.	
Borewell : 6"	Flow : 13.2 M3 / Hr , 220 L.P.M.	FULL CNC - GAP 7 mm
Scale : N.T.S.	Nos. of Blades : 8 ACW	
Date : 10 . 01 . 2012	Motor R.P.M. : 2880	Shell Mould