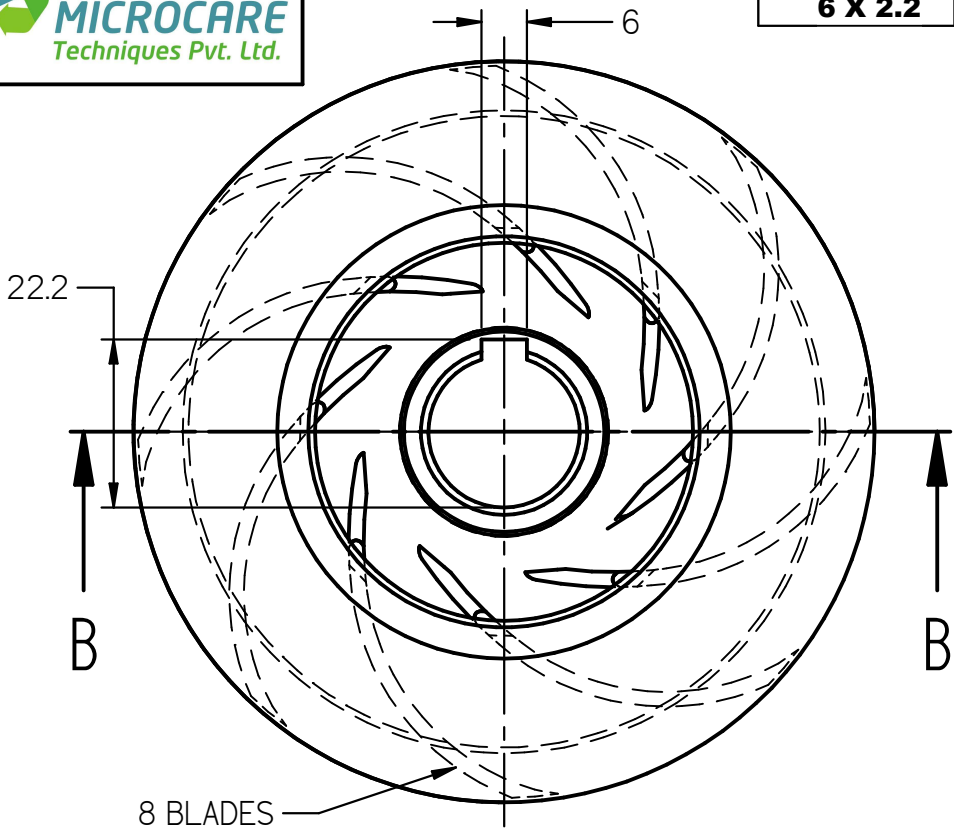
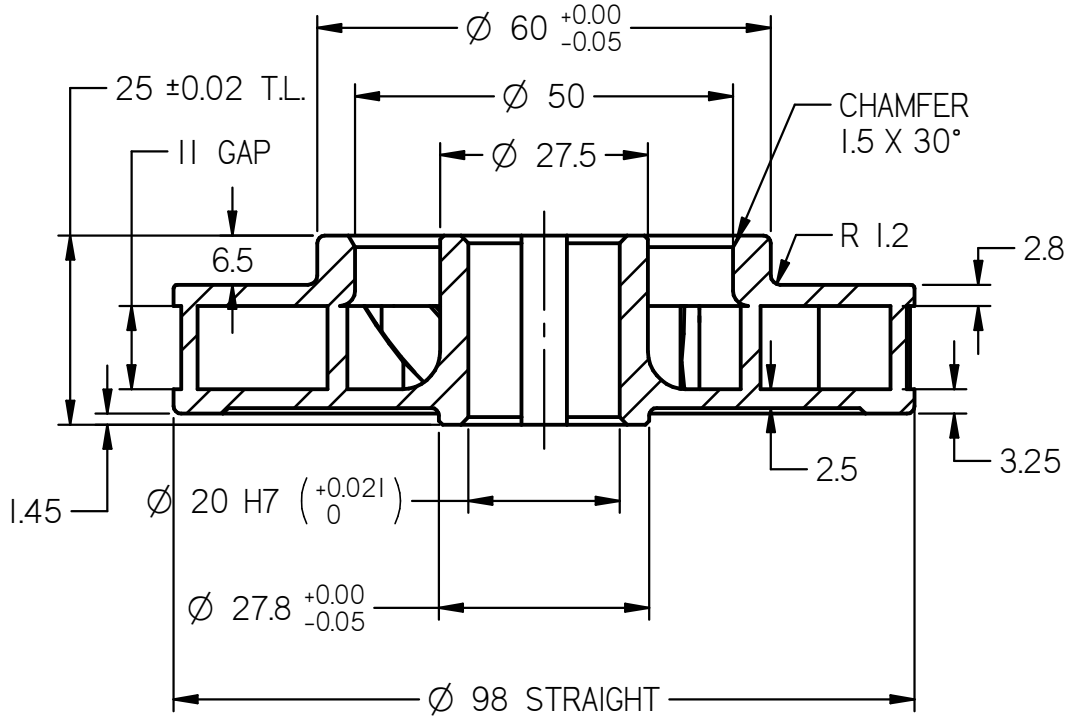
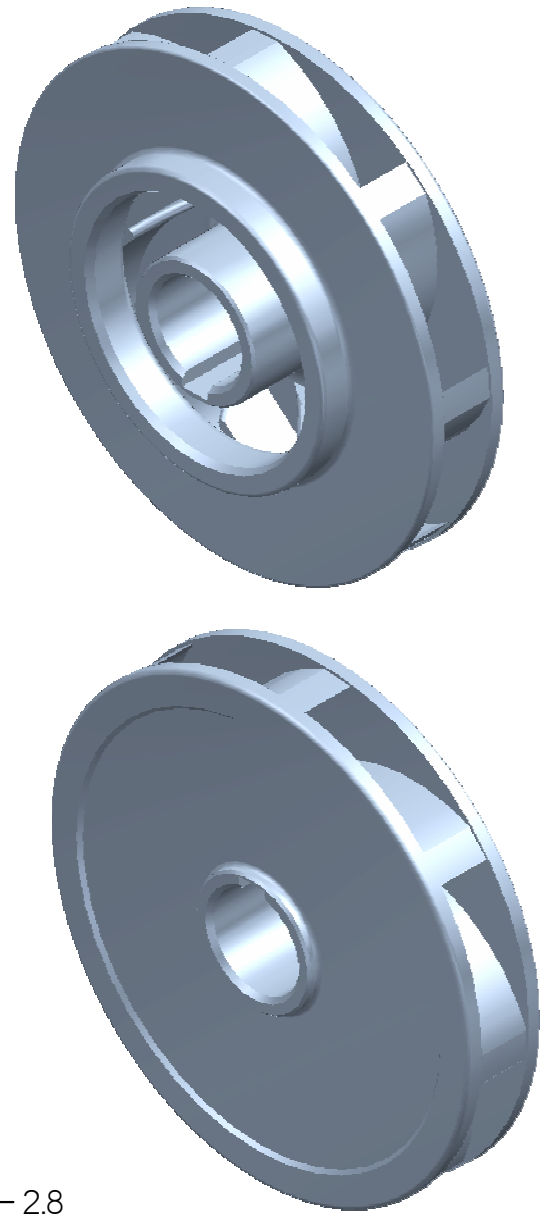


**KEY WAY
6 X 2.2**



8 BLADES
EQ. SP.
A.C.W.



SECTION B-B

**NOTE : ALL DIMENSIONS ARE IN mm.
DO NOT SCALE, IF ANY DOUBT PLEASE ASK.
ALL DIMENSIONS ARE MACHININED**

Material : S.S. 410	Head : Duty Point / Shut Off : 8 / 12 Mtrs.	K 100 RF IMPELLER
Weight : 0.430 kg.	Power : 1 H.P. / 0.75 K.W.	
Borewell : 6"	Flow : 18 M3 / Hr , 300 L.P.M.	FULL CNC - GAP 11 mm
Scale : N.T.S.	Nos. of Blades : 8 ACW	
Date : 10 . 01 . 2012	Motor R.P.M. : 2880	Shell Mould