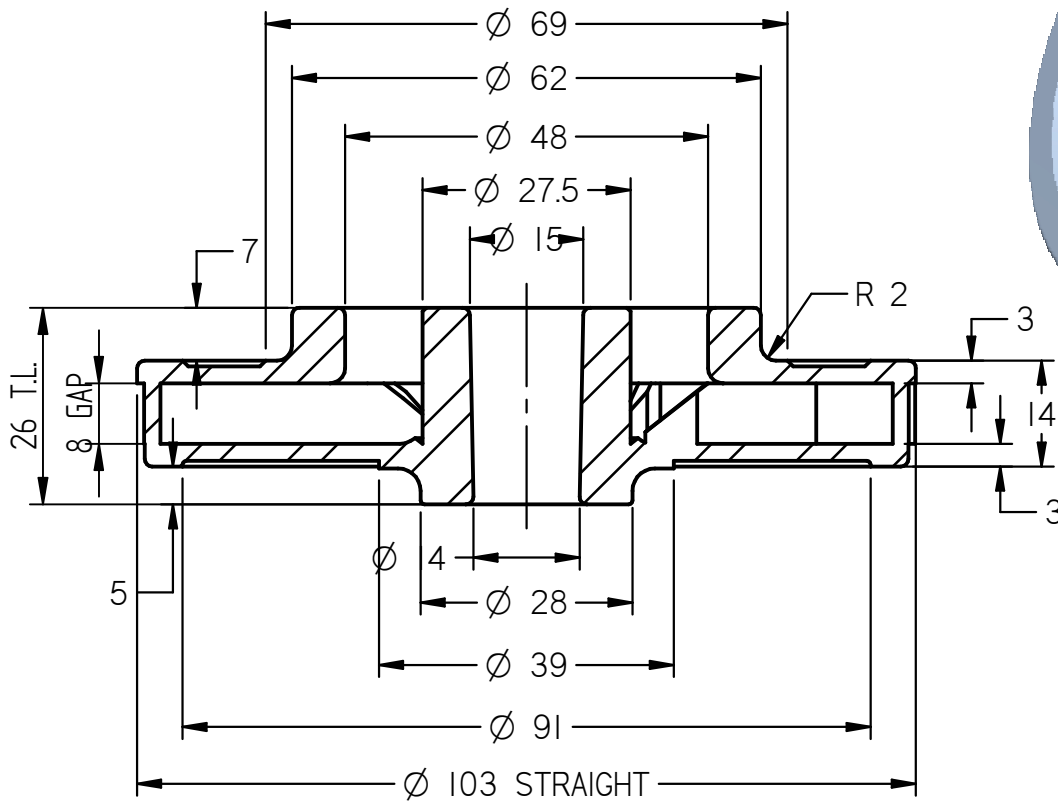


8 BLADES
EQ. SP.
(A.C.W.)

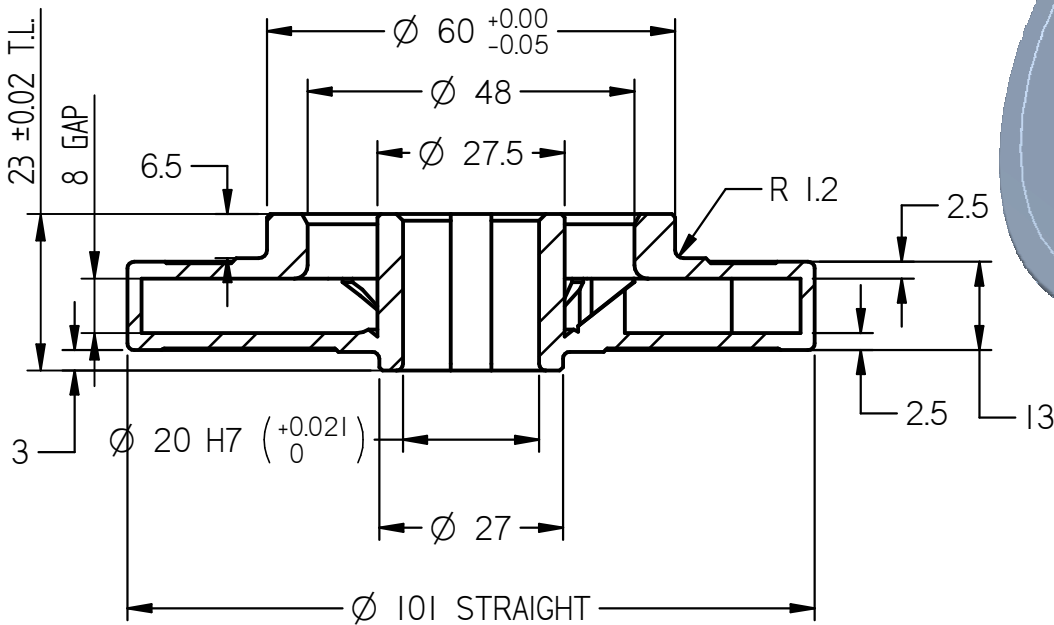
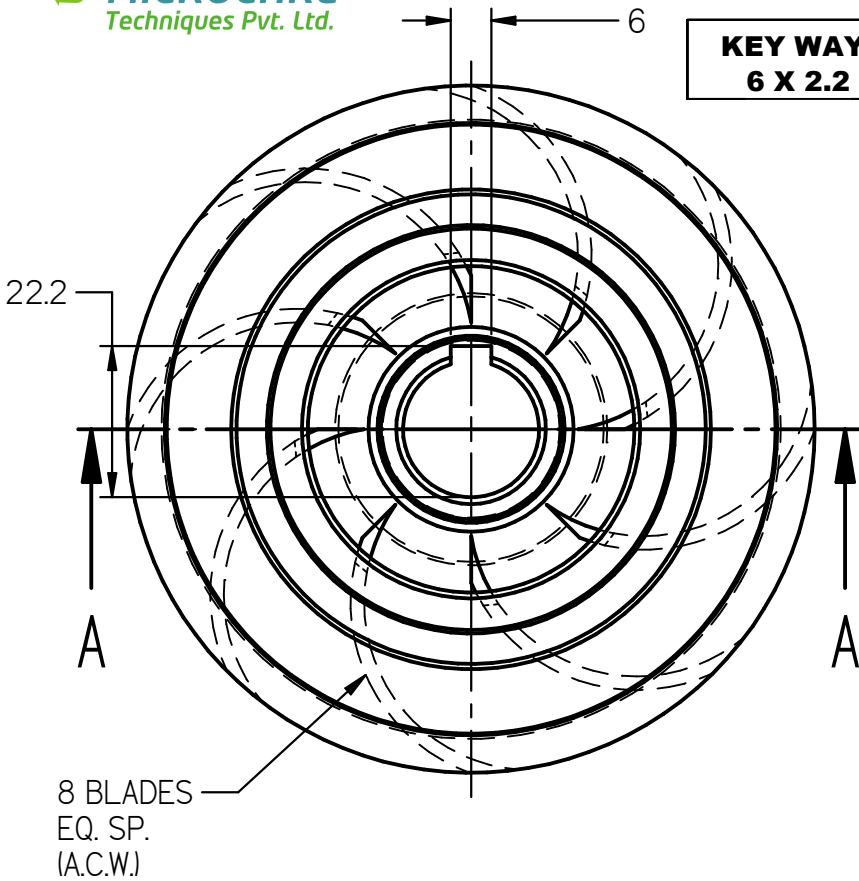
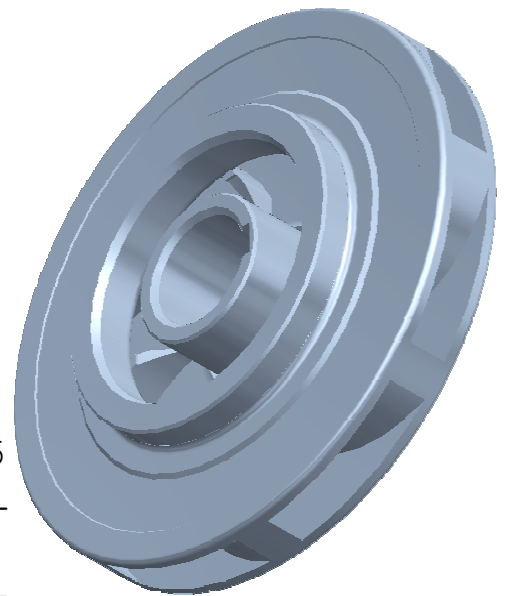
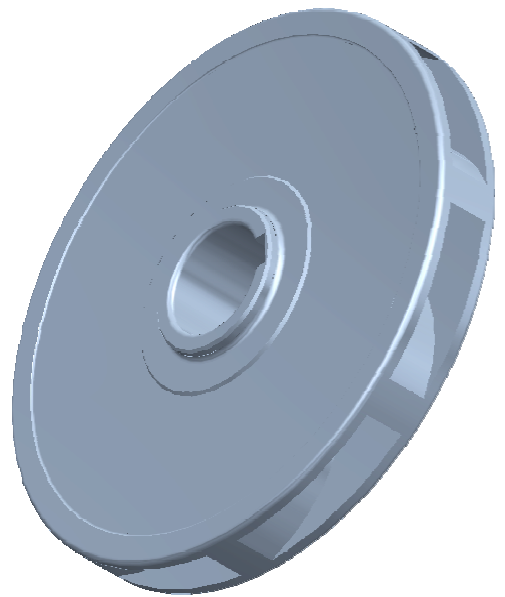


SECTION A-A

**NOTE : ALL DIMENSIONS ARE IN mm.
DO NOT SCALE, IF ANY DOUBT PLEASE ASK.
ALL DIMENSIONS ARE AS CAST**

Material : S.S. 410 / 304	Head :Duty Point/ Shut Off : 8 / 12 Mtrs.	V6 RF IMPELLER
Weight : 0.500 kg	Power : 0.6 H.P. / 0.45 K.W.	
Borewell : 6"	Flow : 13.20 M3 / Hr , 220 L.P.M.	A-60 - GAP 8 mm
Scale : N.T.S.	Nos. of Blades : 8 A.C.W.	Shell Mould
Date : 25. 01 . 2012	Motor R.P.M. : 2880	

**KEY WAY
6 X 2.2**



SECTION A-A

**NOTE : ALL DIMENSIONS ARE IN mm.
DO NOT SCALE, IF ANY DOUBT PLEASE ASK.
ALL DIMENSIONS ARE MACHININED**

Material : S.S. 410 / 304	Head :Duty Point/ Shut Off : 8 / 12 Mtrs.	V6 RF IMPELLER
Weight : 0.400 kg	Power : 0.6 H.P. / 0.45 K.W.	
Borewell : 6"	Flow : 13.20 M3 / Hr , 220 L.P.M.	A-60 - GAP 8 mm
Scale : N.T.S.	Nos. of Blades : 8 A.C.W.	
Date : 25. 01 . 2012	Motor R.P.M. : 2880	Shell Mould