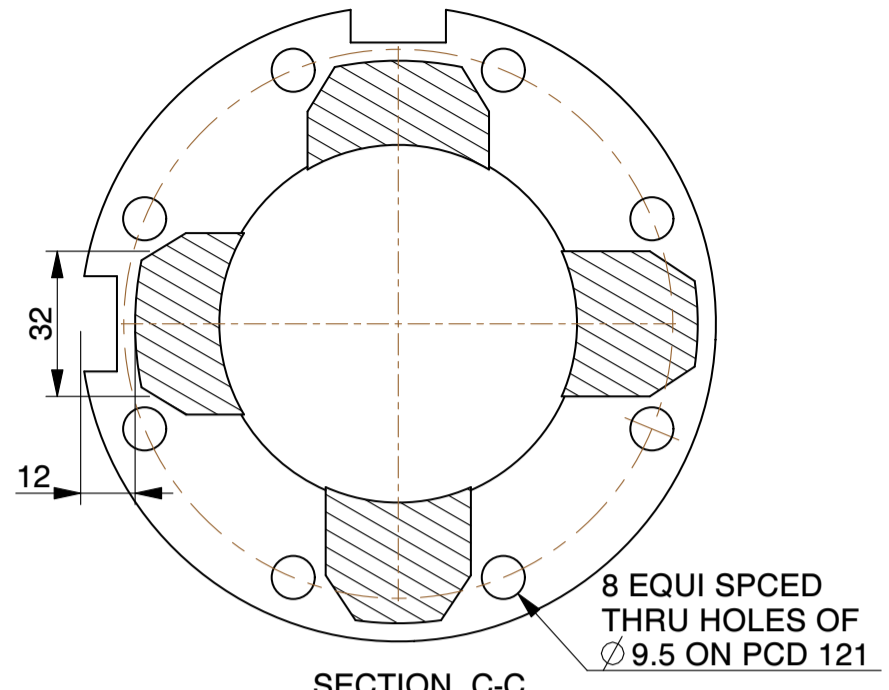
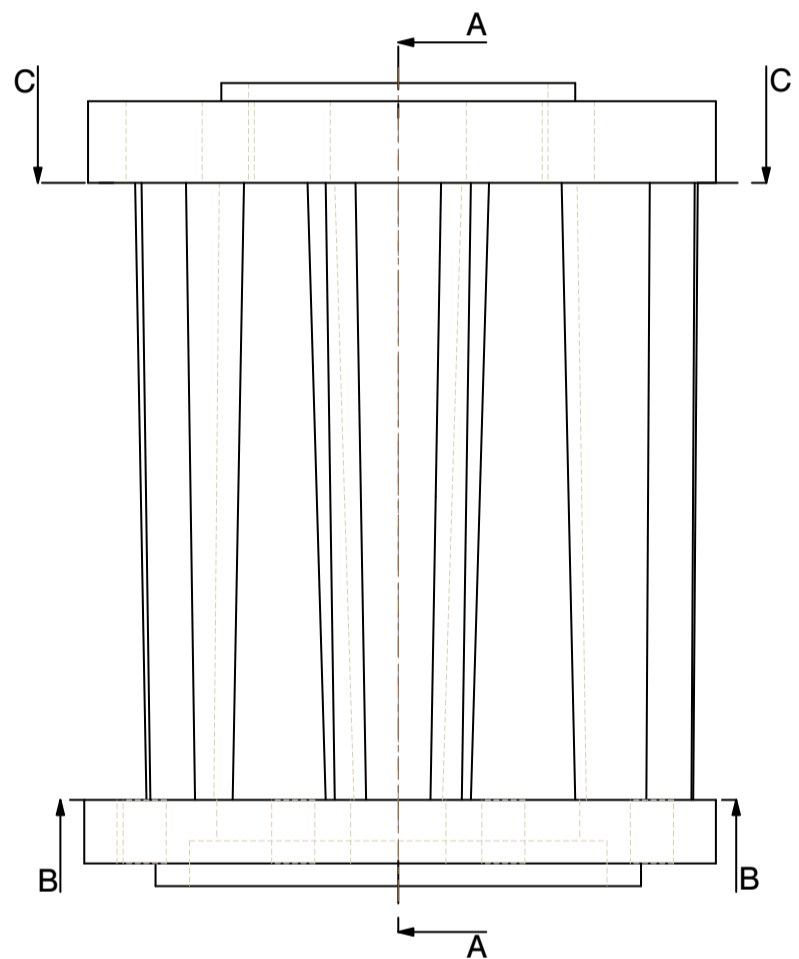


SECTION A-A



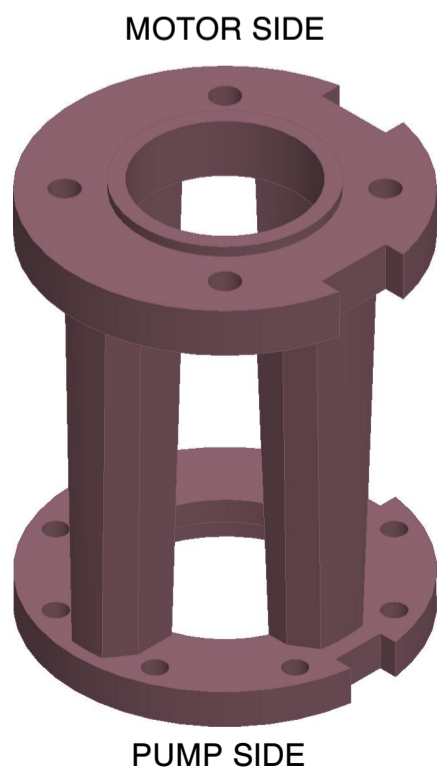
SECTION C-C

8 EQUI SPCED THRU HOLES OF  $\phi 9.5$  ON PCD 121



SECTION B-B

4 EQUI SPCED THRU HOLES OF  $\phi 11.5$  ON PCD 106



MOTOR SIDE

PUMP SIDE

<b>MICROCARE TECHNIQUES P. LTD.</b>		
42/43, Manorath Industrial Estate, Nr. Milan Talkies, Saraspur, Ahmedabad - 380 018, Gujarat, INDIA. $\bar{e}$ mail: microcare25@hotmail.com		
PART NAME:	IP FOR 323 / 107	SCALE 1:2
MATERIAL: CAST IRON	DESCRIPTION: WEIGHT:- 5.4 Kgs	DATE 18-11-2011