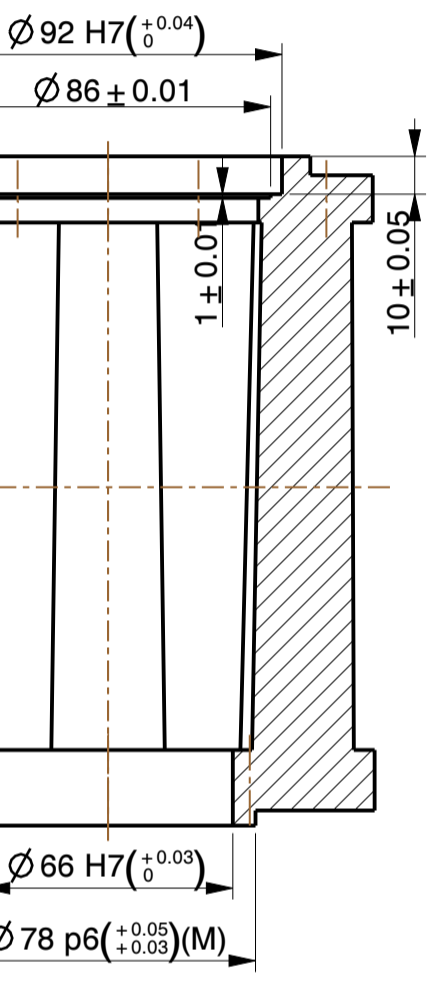
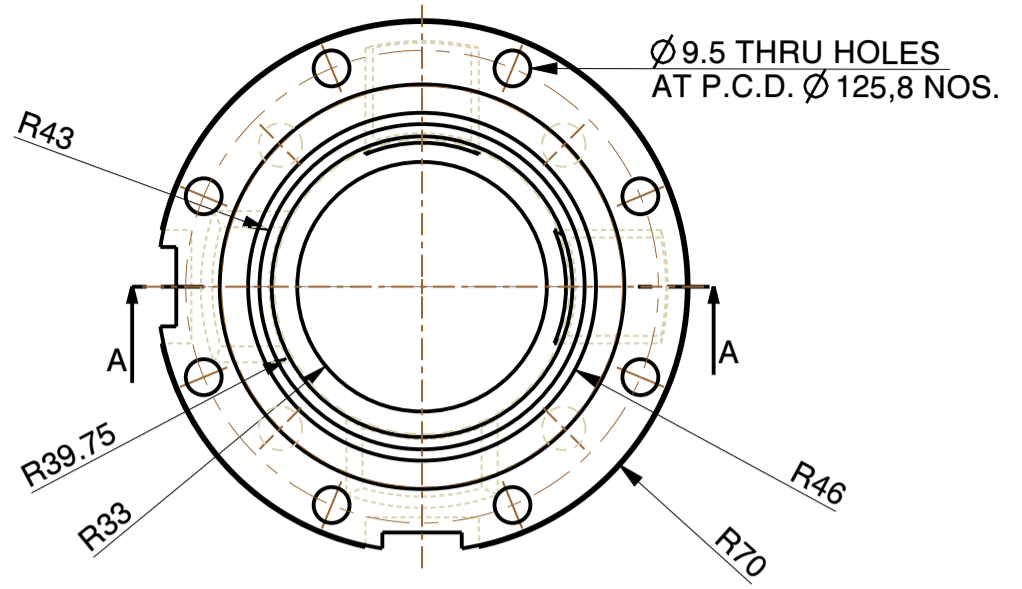
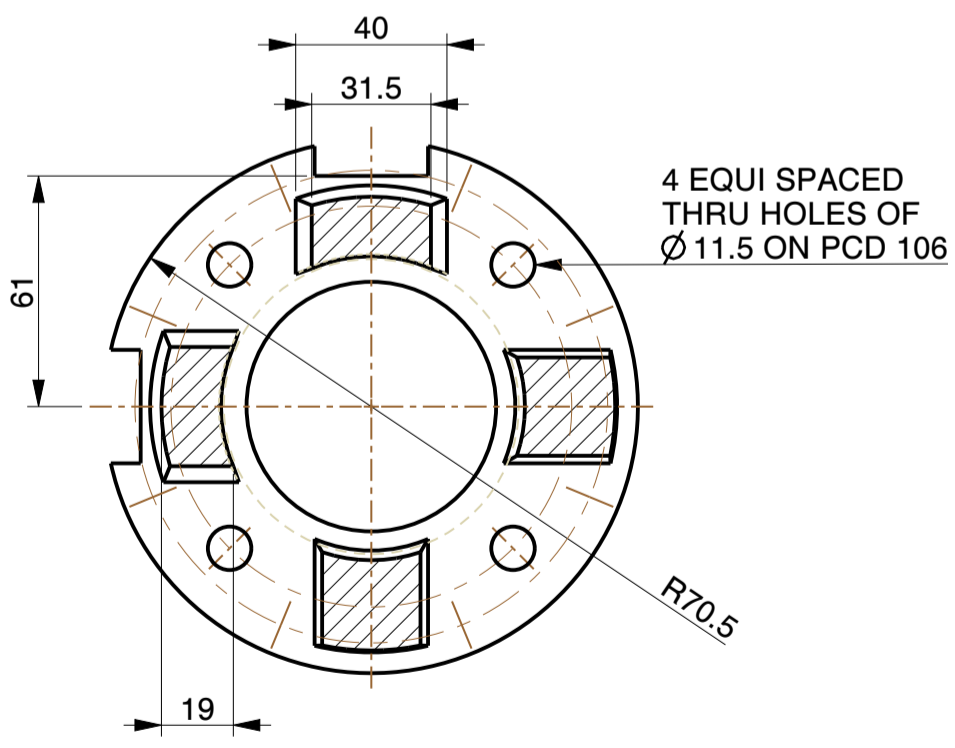


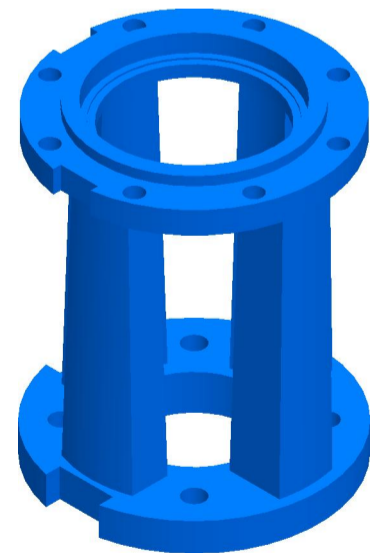
SECTION C-C



SECTION A-A



SECTION B-B



- NOTE:-
- 1). ALL DIMENSIONS ARE IN mm.
  - 2). DO NOT SCALE, IF ANY DOUBT PLEASE ASK.
  - 3). ALL DIMENSIONS ARE AS MACHINED.

<b>MICROCARE TECHNIQUES P. LTD.</b>		
<i>Survey No.11,Nr. Kalpataru Society, Village : Zundal. Dist. :Gandhinagar-382421, Gujarat, INDIA. email: microcare25@microcaregroup.com</i>		
PART NAME:		SCALE
IP-323_107-MALE		1 / 2
MATERIAL:	DESCRIPTION:	DATE
CAST IRON	WEIGHT:- 5.4 Kgs	18-11-2011