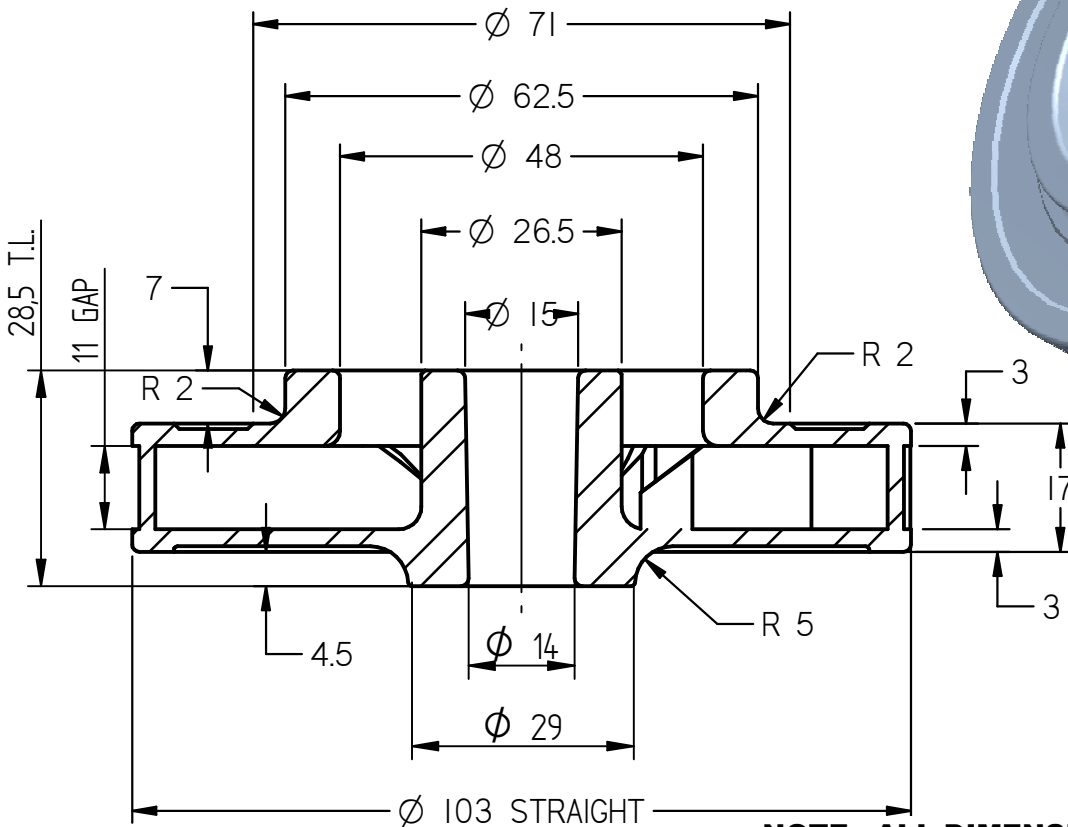
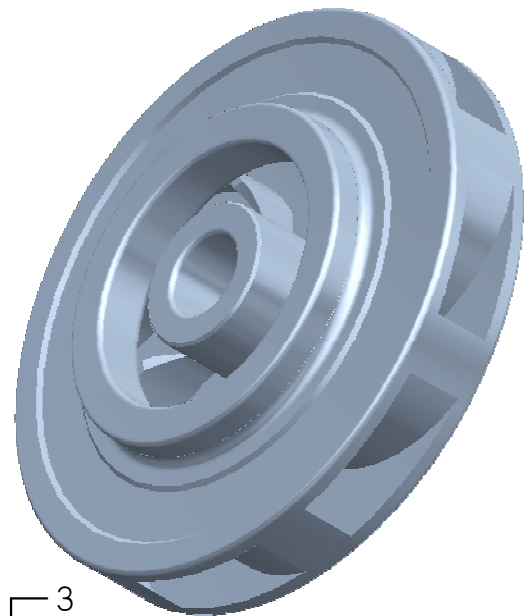
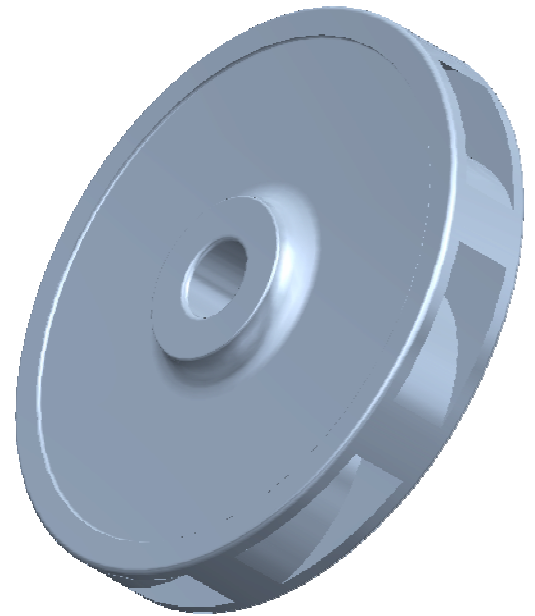


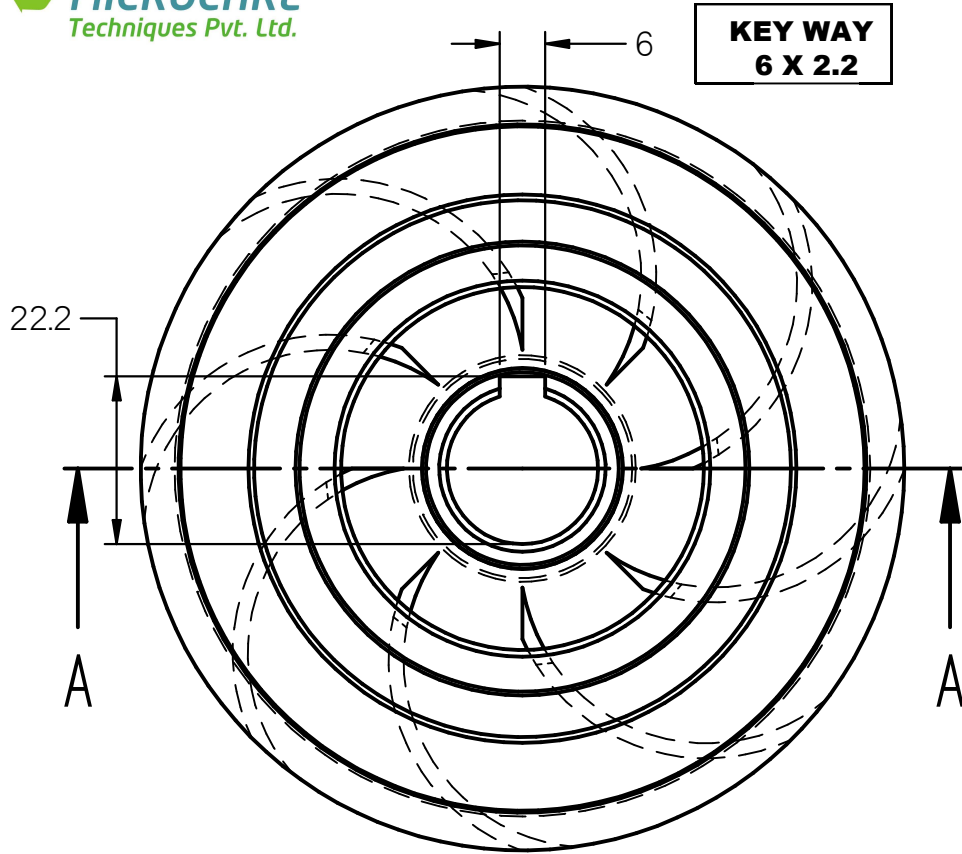
8 BLADES  
EQ. SP.  
(A.C.W.)



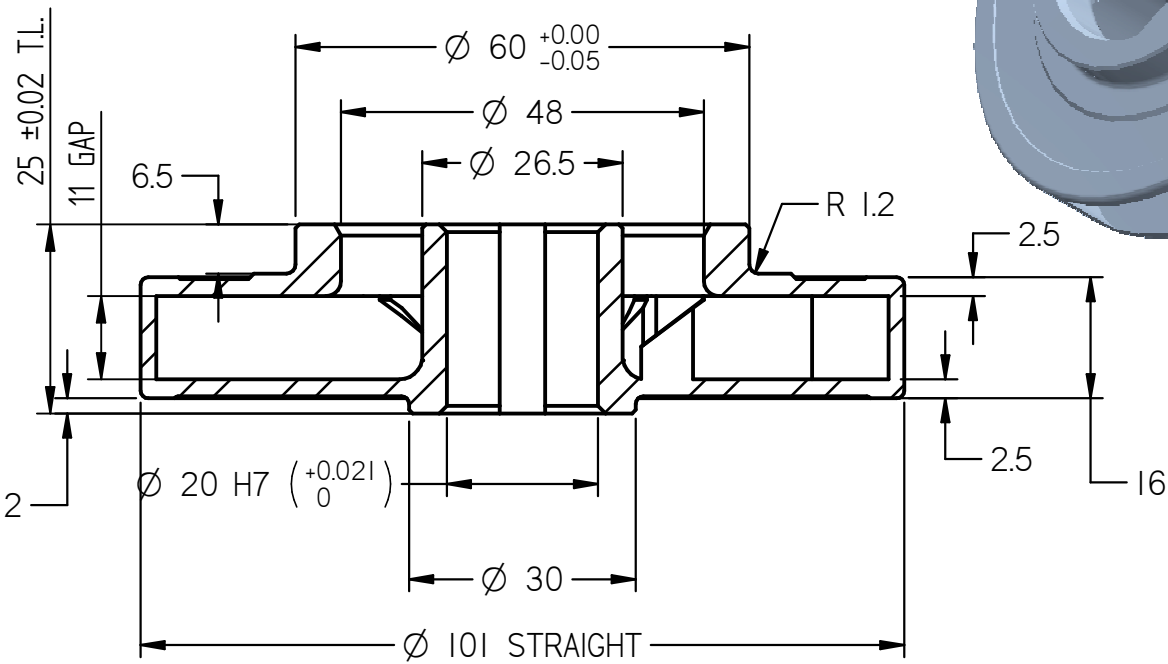
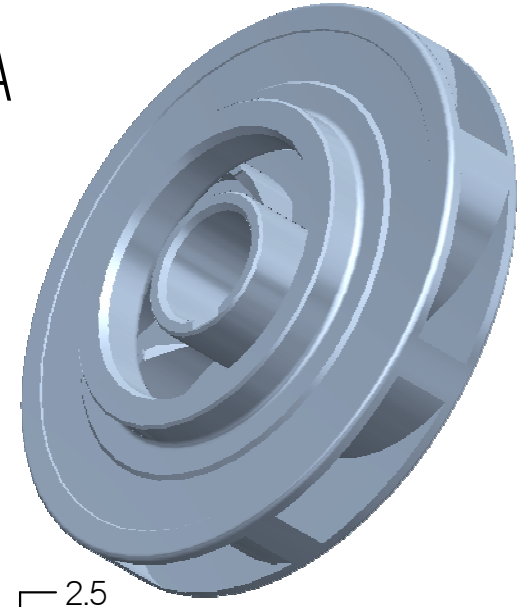
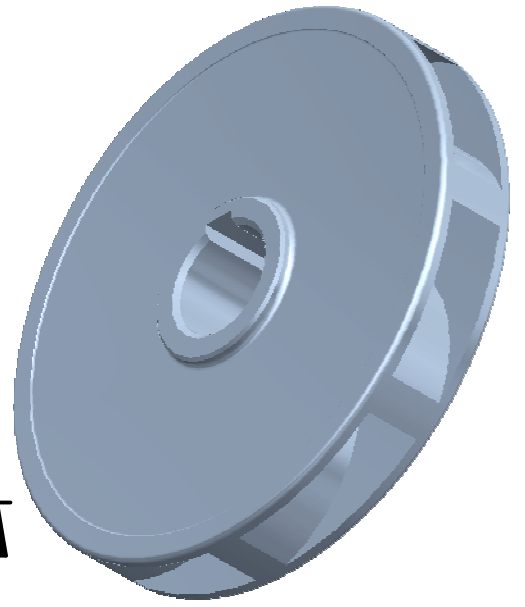
**SECTION A-A**

**NOTE : ALL DIMENSIONS ARE IN mm.  
DO NOT SCALE, IF ANY DOUBT PLEASE ASK.  
ALL DIMENSIONS ARE AS CAST**

Material : S.S. 410 / 304	Head :Duty Point/ Shut Off : 8 / 12 Mtrs.	<b>V6 RF IMPELLER</b>
Weight : 0.500 kg	Power : 0.8 H.P. / 0.6 K.W.	
Borewell : 6"	Flow : 16.8 M3 / Hr , 280 L.P.M.	<b>A-80 - GAP 11 mm</b>
Scale : N.T.S.	Nos. of Blades : 8 A.C.W.	
Date : 25. 01 . 2012	Motor R.P.M. : 2880	<b>Shell Mould</b>



**KEY WAY  
6 X 2.2**



**SECTION A-A**

**NOTE : ALL DIMENSIONS ARE IN mm.  
DO NOT SCALE, IF ANY DOUBT PLEASE ASK.  
ALL DIMENSIONS ARE MACHININED**

Material : S.S. 410 / 304	Head :Duty Point/ Shut Off : 8 / 12 Mtrs.	<b>V6 RF IMPELLER</b>
Weight : 0.400 kg	Power : 0.8 H.P. / 0.6 K.W.	
Borewell : 6"	Flow : 16.8 M3 / Hr , 280 L.P.M.	<b>A-80 - GAP 11 mm</b>
Scale : N.T.S.	Nos. of Blades : 8 A.C.W.	
Date : 25. 01 . 2012	Motor R.P.M. : 2880	<b>Shell Mould</b>