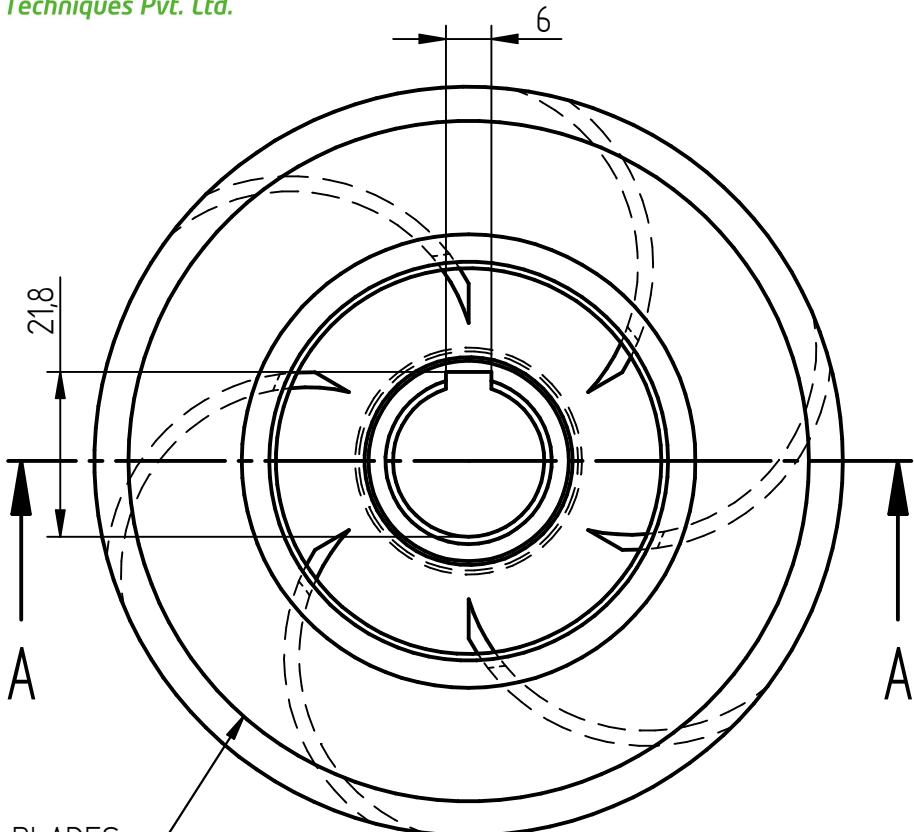
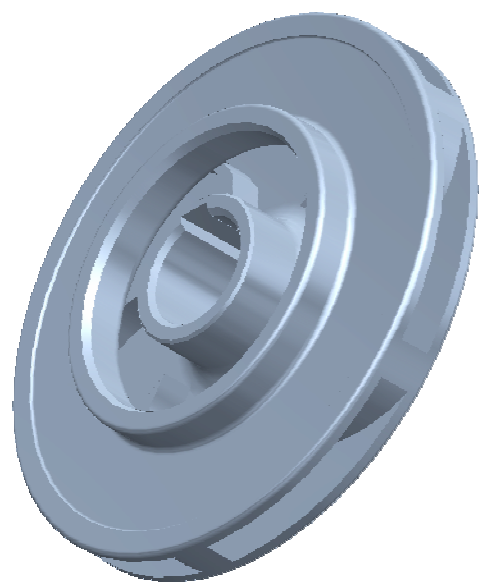




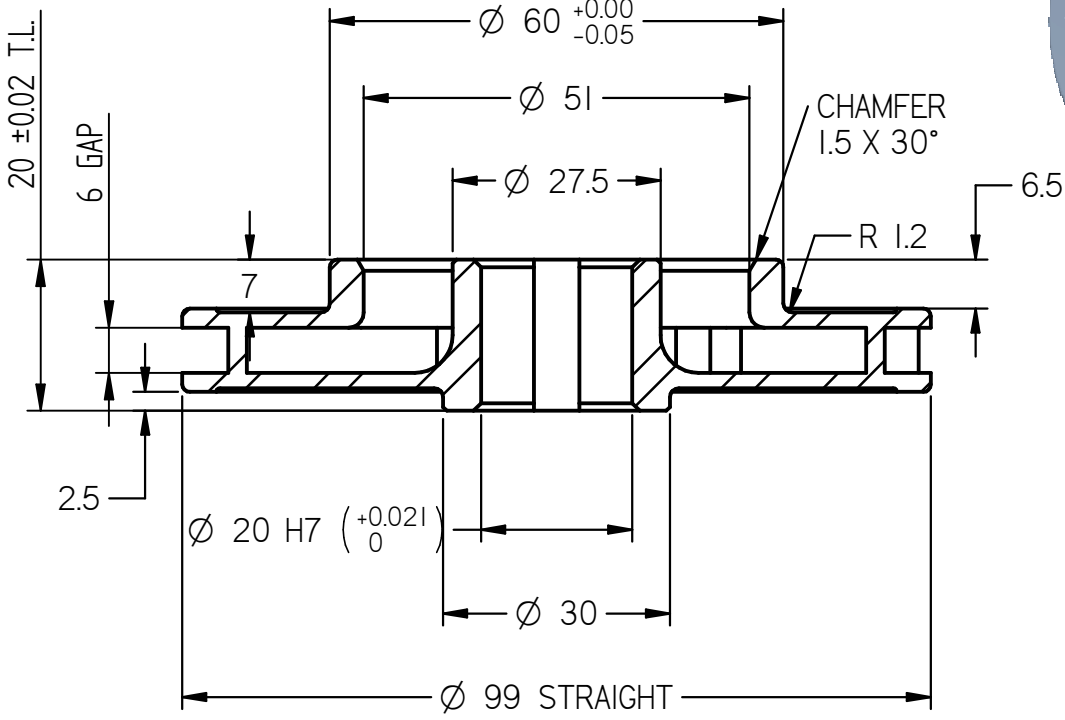


**KEY WAY**  
**6 X 1.8**

**MODEL DRG. NO : MS-153-M**



6 BLADES  
EQ. SP.  
(A.C.W.)



**SECTION A-A**

**NOTE : ALL DIMENSIONS ARE IN mm.**  
**DO NOT SCALE, IF ANY DOUBT PLEASE ASK.**  
**ALL DIMENSIONS ARE MACHININED**

<b>Material</b> : S.S. 410	<b>Head : Duty Point / Shut Off</b> : 8 / 12 Mtrs.	<b>MS 40 RF IMPELLER</b>
<b>Weight</b> : 0.375 kg.	<b>Power</b> : 0.4 H.P. / 0.3 K.W.	
<b>Borewell</b> : 6"	<b>Flow</b> : 9.6 M3 / Hr , 160 L.P.M.	<b>GAP 6 mm</b>
<b>Scale</b> : N.T.S.	<b>Nos. of Blades</b> : 6 ACW	<b>Shell Mould</b>
<b>Date</b> : 10 . 01 . 2012	<b>Motor R.P.M.</b> : 2880	