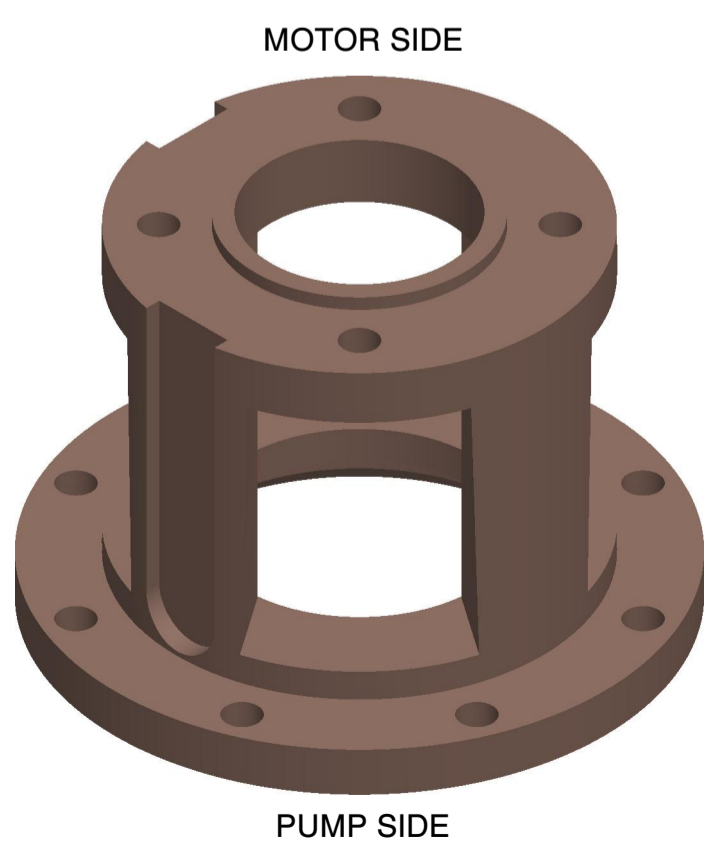
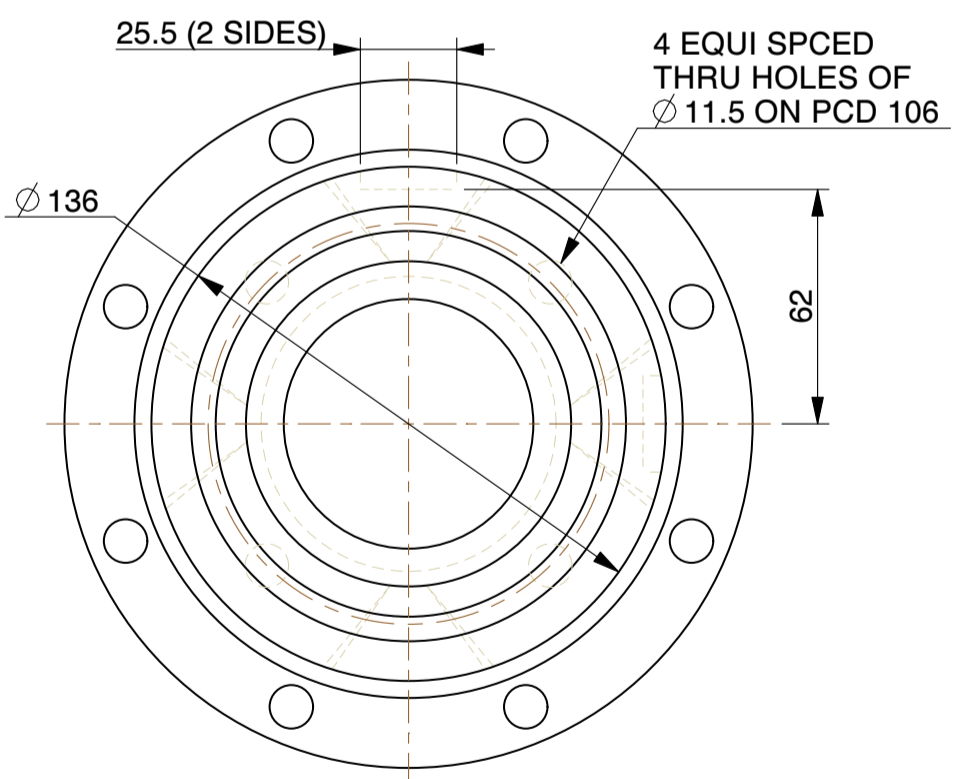
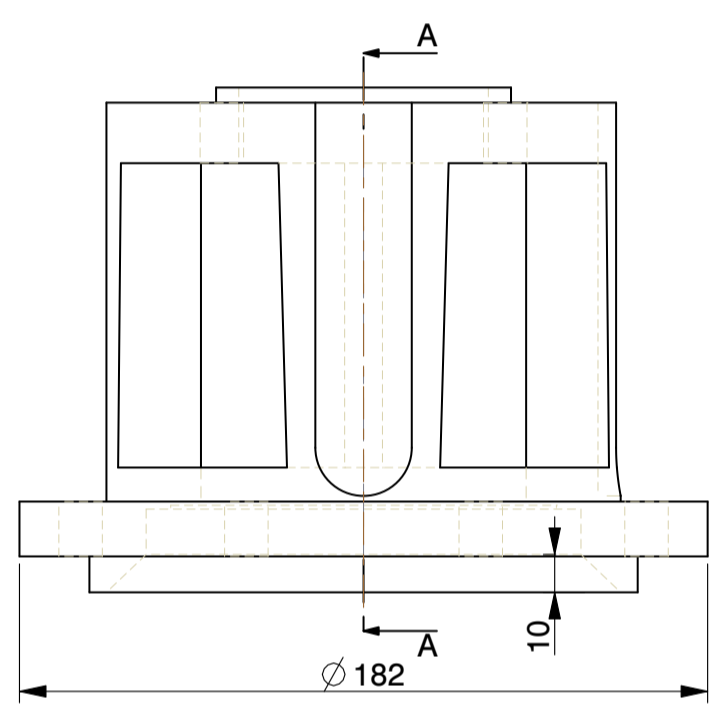
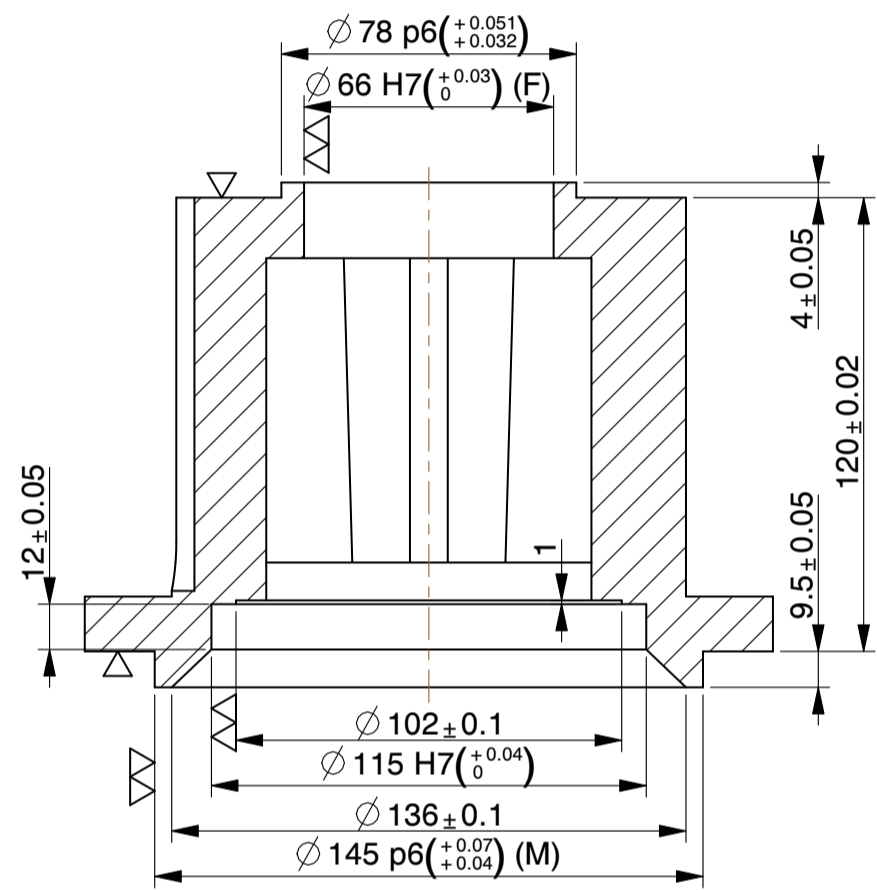
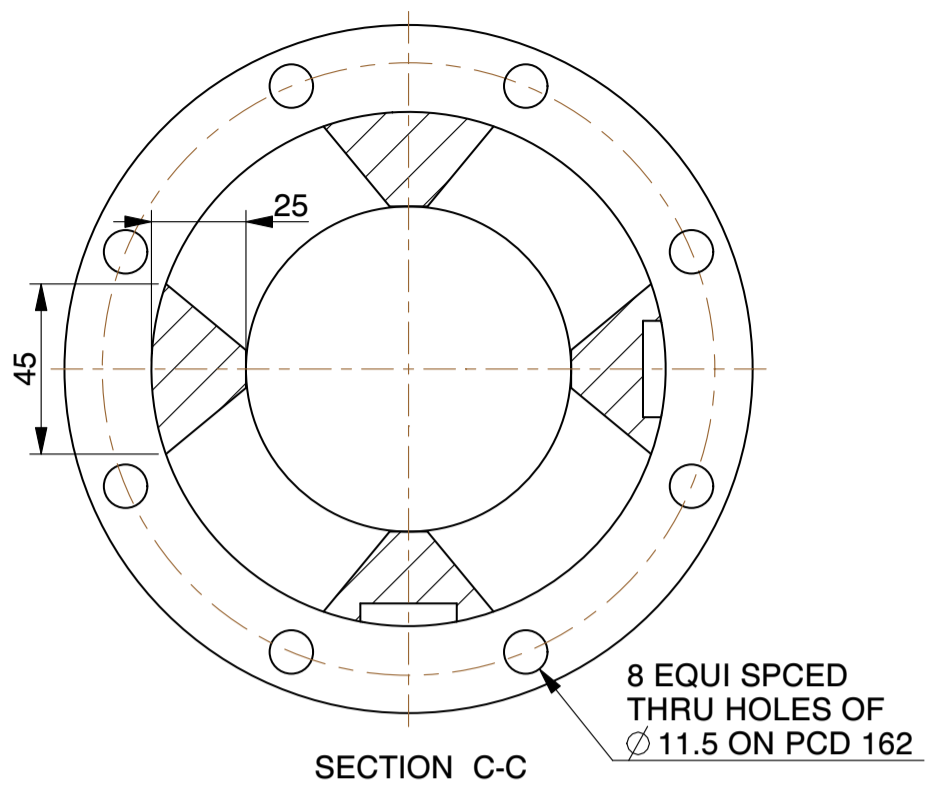




4 3 2 1

H G F E D C B A



NOTE:-
 1). ALL DIMENSIONS ARE IN mm.
 2). DO NOT SCALE, IF ANY DOUBT PLEASE ASK.
 3). ALL DIMENSIONS ARE AS MACHINED.

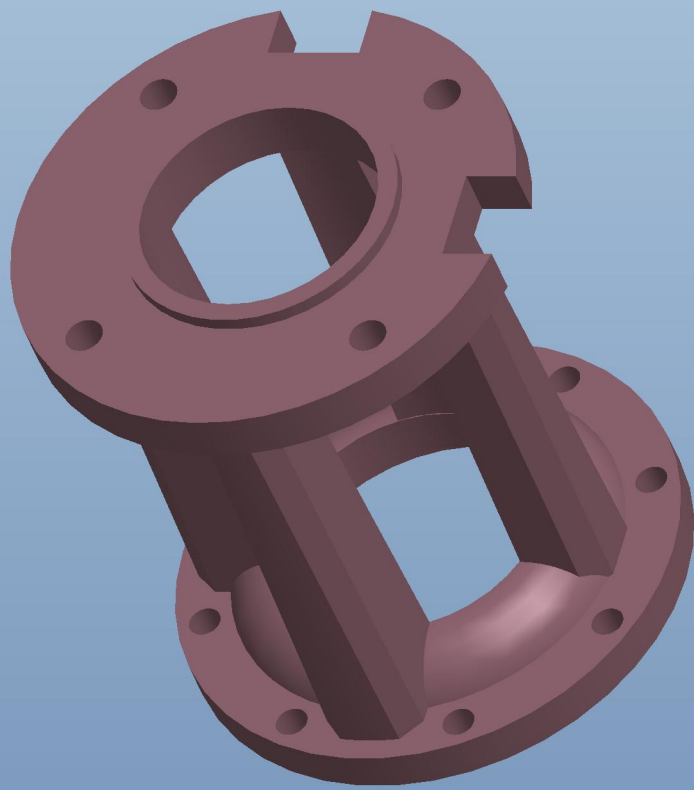
MICROCARE TECHNIQUES P. LTD.		
Survey No.11,Nr. Kalpataru Society, Village : Zundal. Dist. : Gandhinagar-382421, Gujarat, INDIA. email: microcare25@microcaregroup.com		
PART NAME:	IP V6 / V8 - 384	SCALE 1:2
MATERIAL: CAST IRON	DESCRIPTION: -	DATE 17-05-2011

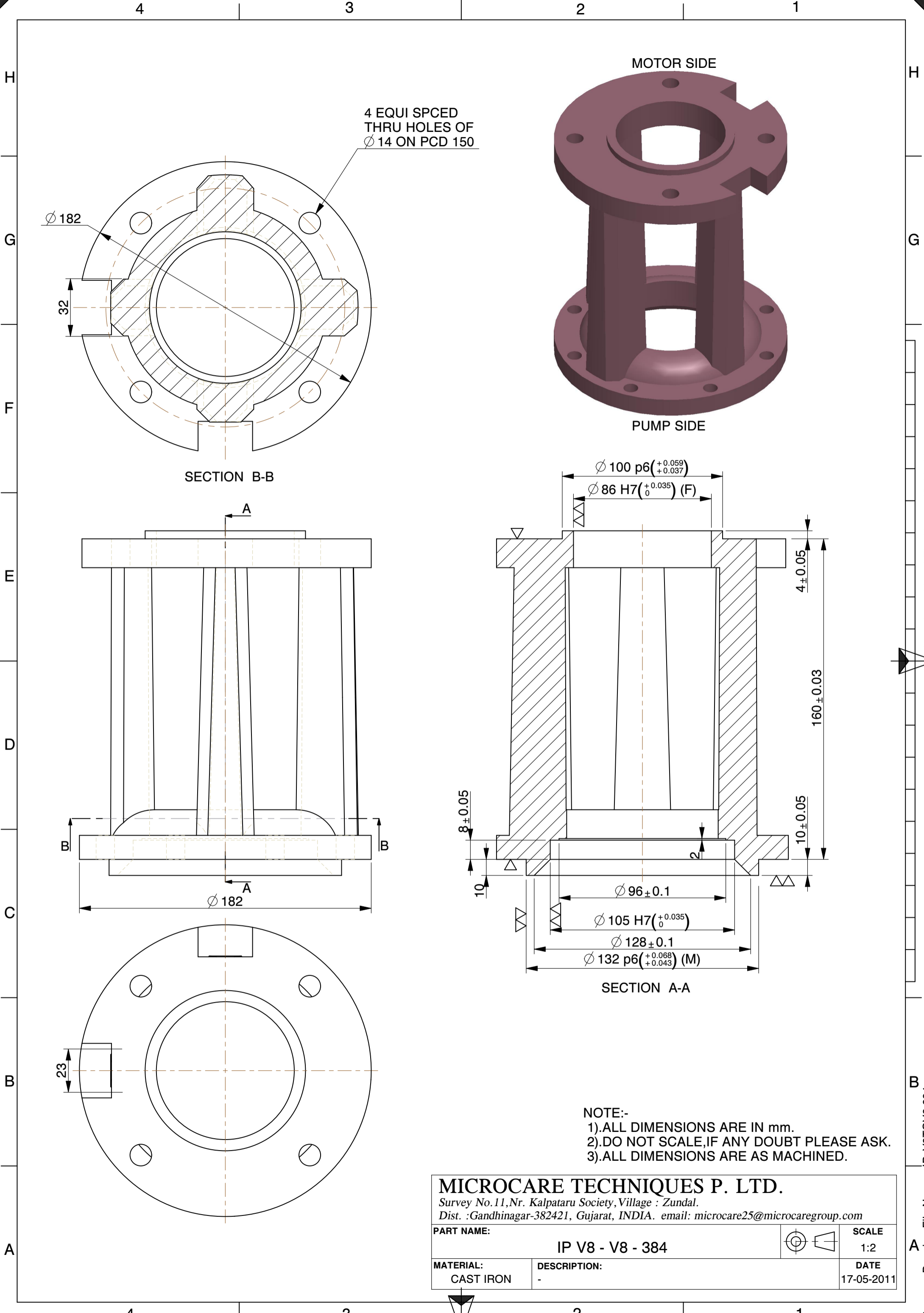
4 3 2 1

This Document is the exclusive property of company and shall not be used, copied or communicated to third parties without their prior authorization.

Associated Model File Name : IP_V6-V8_384

Drawing File Name : IP_V6-V8_384





4 EQUI SPCED
THRU HOLES OF
Ø 14 ON PCD 150

MOTOR SIDE

PUMP SIDE

SECTION B-B

A

Ø 100 p6 (+0.059 / +0.037)
Ø 86 H7 (+0.035 / 0) (F)

4 ± 0.05

160 ± 0.03

8 ± 0.05

10

10 ± 0.05

Ø 96 ± 0.1

Ø 105 H7 (+0.035 / 0)

Ø 128 ± 0.1

Ø 132 p6 (+0.068 / +0.043) (M)

SECTION A-A

B

Ø 182

23

NOTE:-
1).ALL DIMENSIONS ARE IN mm.
2).DO NOT SCALE,IF ANY DOUBT PLEASE ASK.
3).ALL DIMENSIONS ARE AS MACHINED.

MICROCARE TECHNIQUES P. LTD.		
<i>Survey No.11,Nr. Kalpataru Society, Village : Zundal. Dist. :Gandhinagar-382421, Gujarat, INDIA. email: microcare25@microcaregroup.com</i>		
PART NAME:		SCALE
IP V8 - V8 - 384		1:2
MATERIAL:	DESCRIPTION:	DATE
CAST IRON	-	17-05-2011

Associated Model File Name : IP_V8_V8-384

Drawing File Name : IP_V8TOV8-384