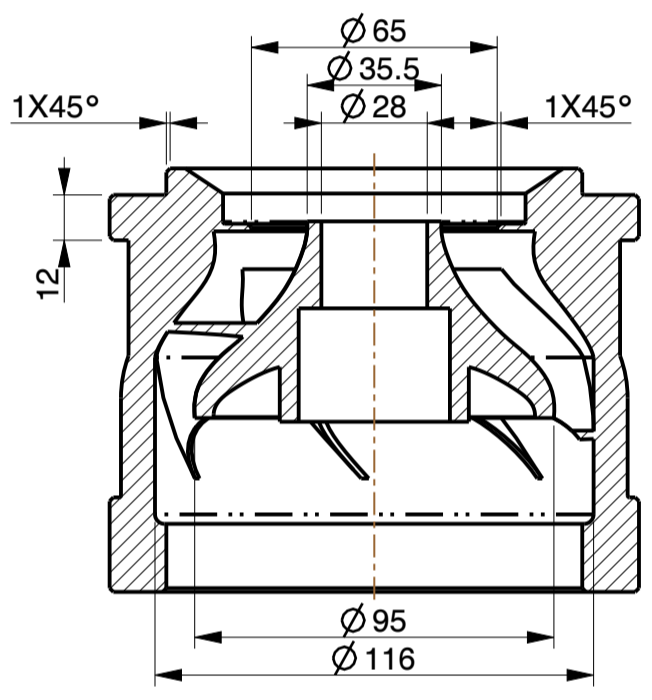


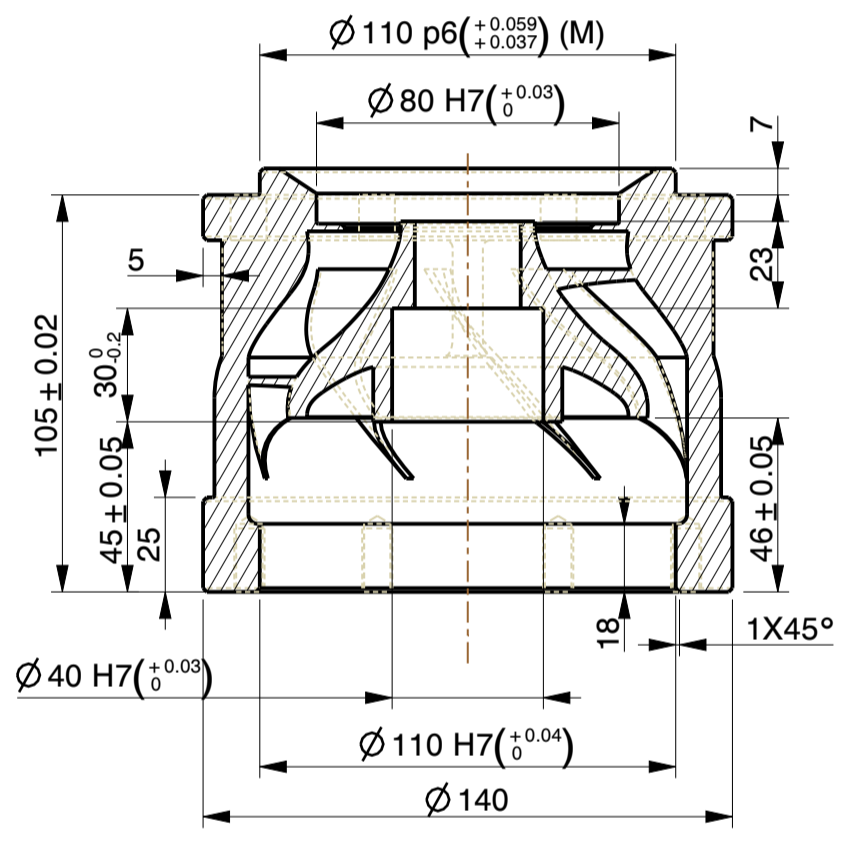
8 EQUIDISTANCE THRU HOLES OF Ø 9.5 ON PCD 125

WATER OUTLET PASSAGE: 65X35.5

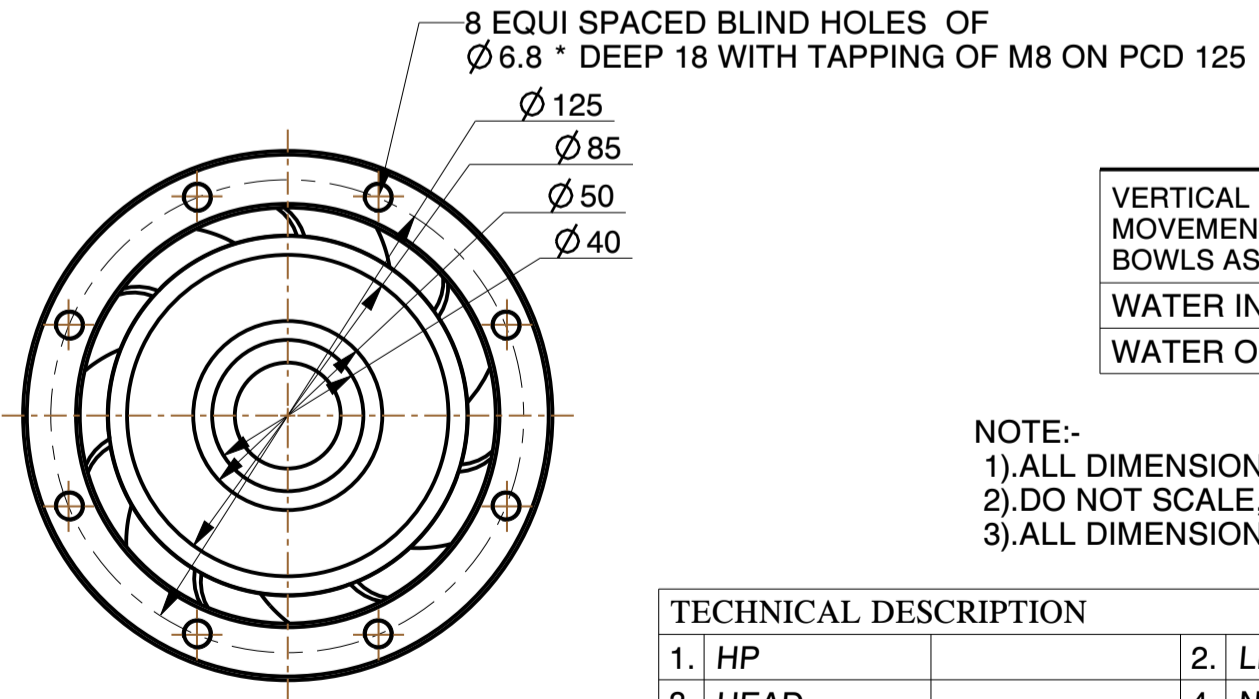


WATER INLET PASSAGE: 116X95

SECTION C-C



SECTION A-A



7 RIBS INSIDE AT EQUAL DISTANCE

VERTICAL GAP FOR IMPELLER MOVEMENT BETWEEN TWO BOWLS ASSEMBLY	52
WATER INLET PASSAGE:	116 x 95
WATER OUTLET PASSAGE:	65 x 35.5

NOTE:-
 1).ALL DIMENSIONS ARE IN mm.
 2).DO NOT SCALE,IF ANY DOUBT PLEASE ASK.
 3).ALL DIMENSIONS ARE AS MACHINED.

TECHNICAL DESCRIPTION			
1. HP		2. LPM	
3. HEAD		4. NOS. OF BLADES	7 NOS.
5. DIMENSION TYPE:		AS MACHINED	
MICROCARE TECHNIQUES P. LTD.			
42/43, Manorath Industrial Estate, Nr. Milan Talkies, Saraspur, Ahmedabad - 380 018, Gujarat, INDIA. e mail: microcare25@hotmail.com			
PART NAME:			SCALE
BOWL - ML 1.25			1:2
MATERIAL:	DESCRIPTION:	DATE	
CAST IRON	WEIGHT (AS CAST):- 4.1 KG	5-1-2012	