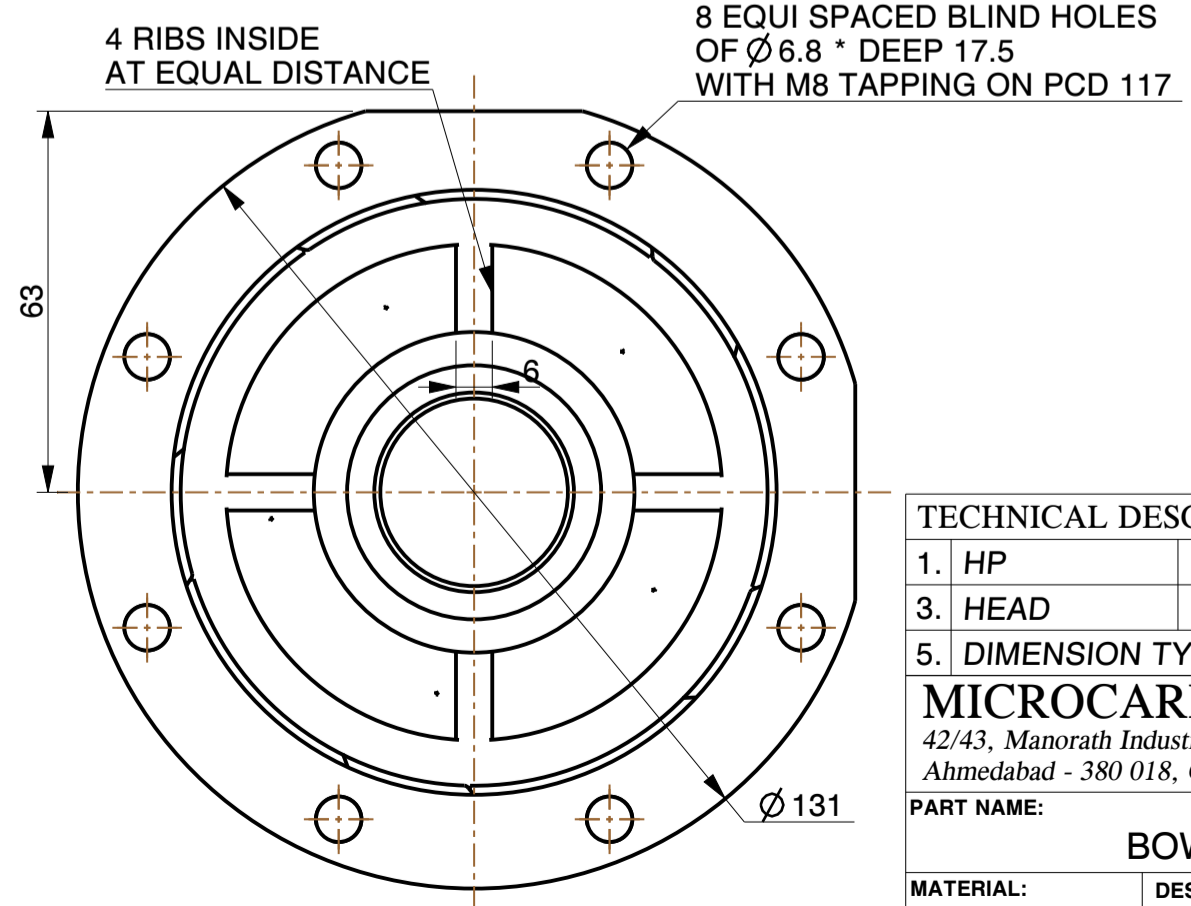
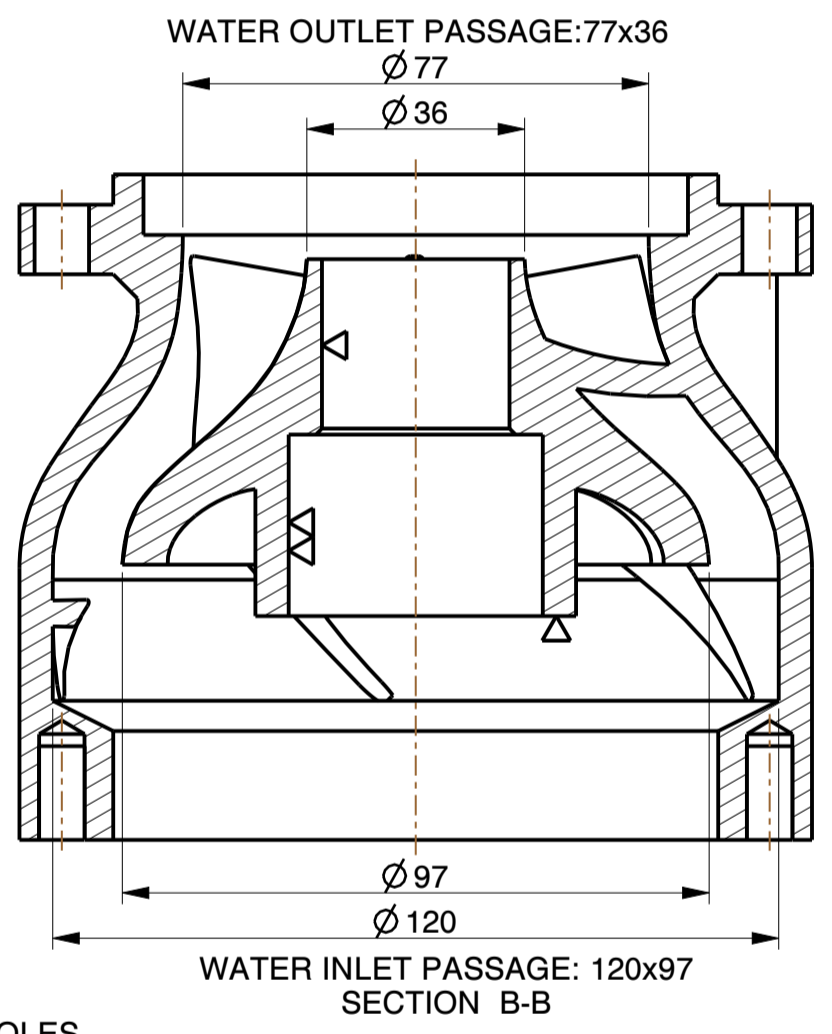
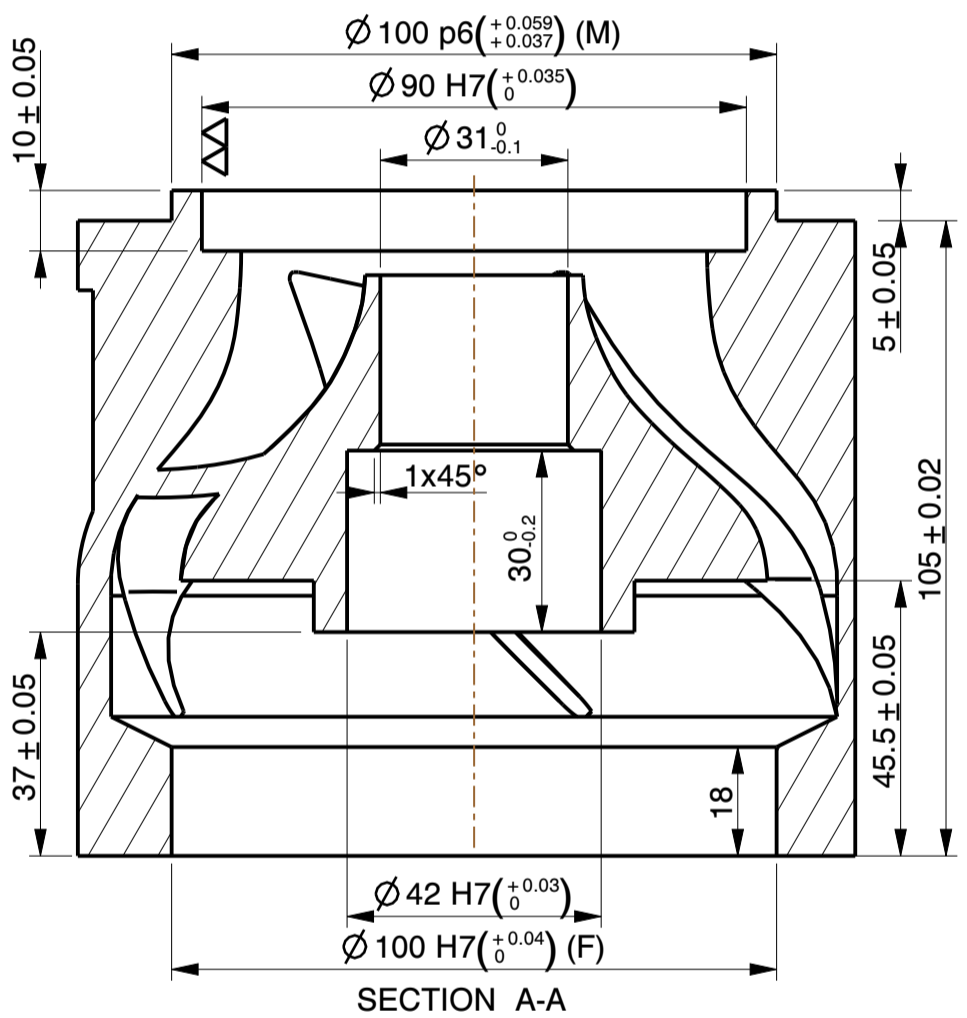
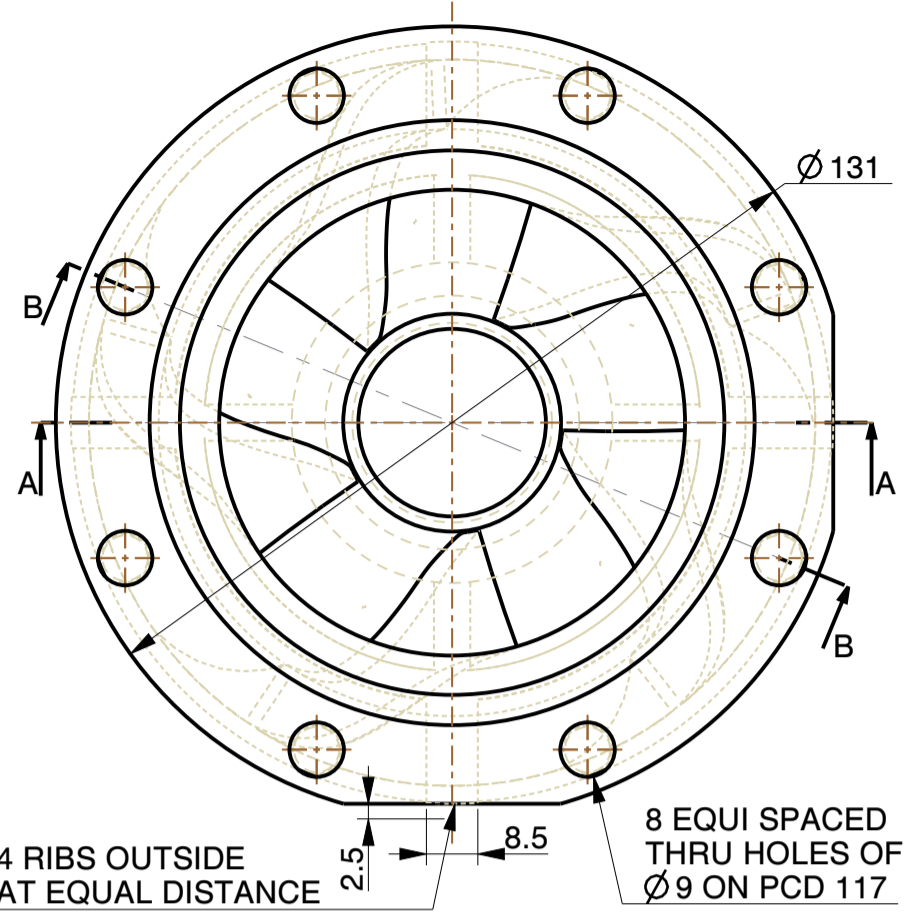


4 3 2 1

H G F E D C B A



| | |
|---|----------|
| VERTICAL GAP FOR IMPELLER MOVEMENT BETWEEN TWO BOWLS ASSEMBLY | 50.5 MM |
| WATER INLET PASSAGE: | 120 x 97 |
| WATER OUTLET PASSAGE: | 77 x 36 |

| | | | |
|--|---------------------------|-------------------|--------|
| TECHNICAL DESCRIPTION | | | |
| 1. HP | 2 | 2. LPM | 800 |
| 3. HEAD | 7 MTRS | 4. NOS. OF BLADES | 5 NOS. |
| 5. DIMENSION TYPE: | | AS MACHINED | |
| MICROCARE TECHNIQUES P. LTD. | | | |
| 42/43, Manorath Industrial Estate, Nr. Milan Talkies, Saraspur, Ahmedabad - 380 018, Gujarat, INDIA. e mail: microcare25@hotmail.com | | | |
| PART NAME: | | | SCALE |
| BOWL - 302 (5 BLADES) | | | 1:1.25 |
| MATERIAL: | DESCRIPTION: | DATE | |
| CAST IRON | WEIGHT (AS CAST):- 5.0 KG | 18-11-2011 | |