

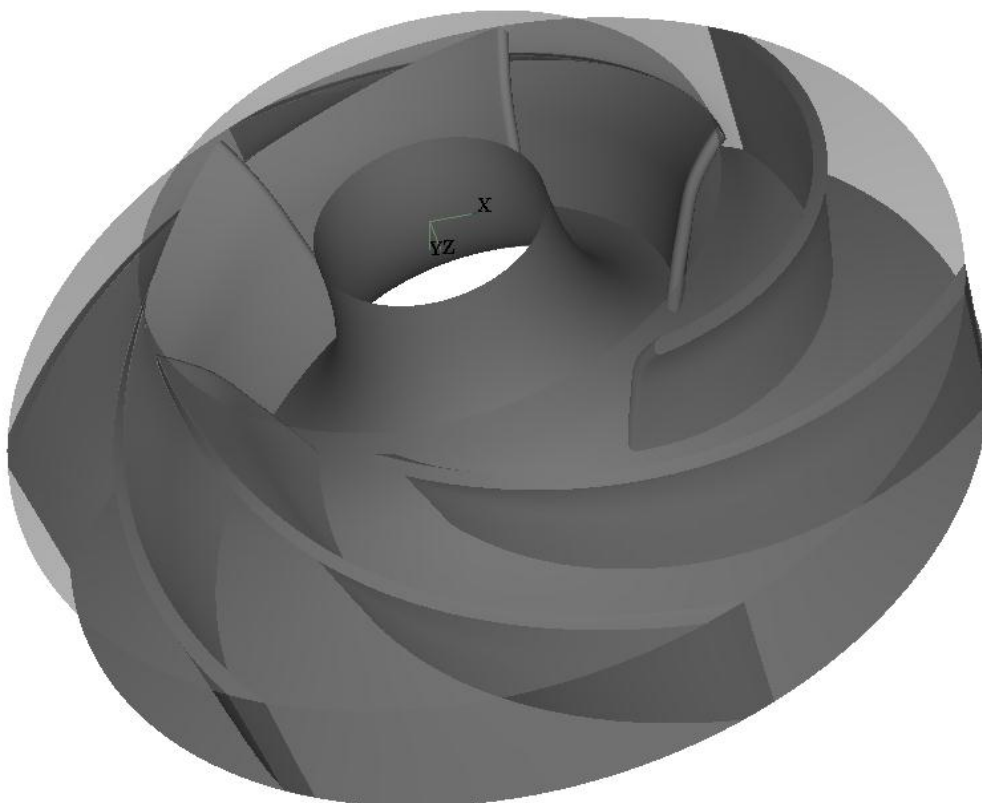
DETAILED BROCHURE - MM100C16

Technical Parameters

| Model No | MM100C16 |
|------------------------------|------------------------------------|
| Type of flow | Mixed flow |
| Borewell Size | 8" |
| Flow Rate | 100 m ³ /hr (1667 LPM) |
| Head / Stage | 16 Mtrs |
| Shut off Head | 22.5 Mtrs |
| Power driven by pump / stage | 5.1 KW (6.83 HP) |
| Pump Efficiency (%) | 85 % |
| Rated RPM | 2880 @ 50 Hz |
| No. of Blades | 6 (CCW) |
| Production Method | Investment Casting |
| Compatible Bowl Model No. | MMB100C16 |

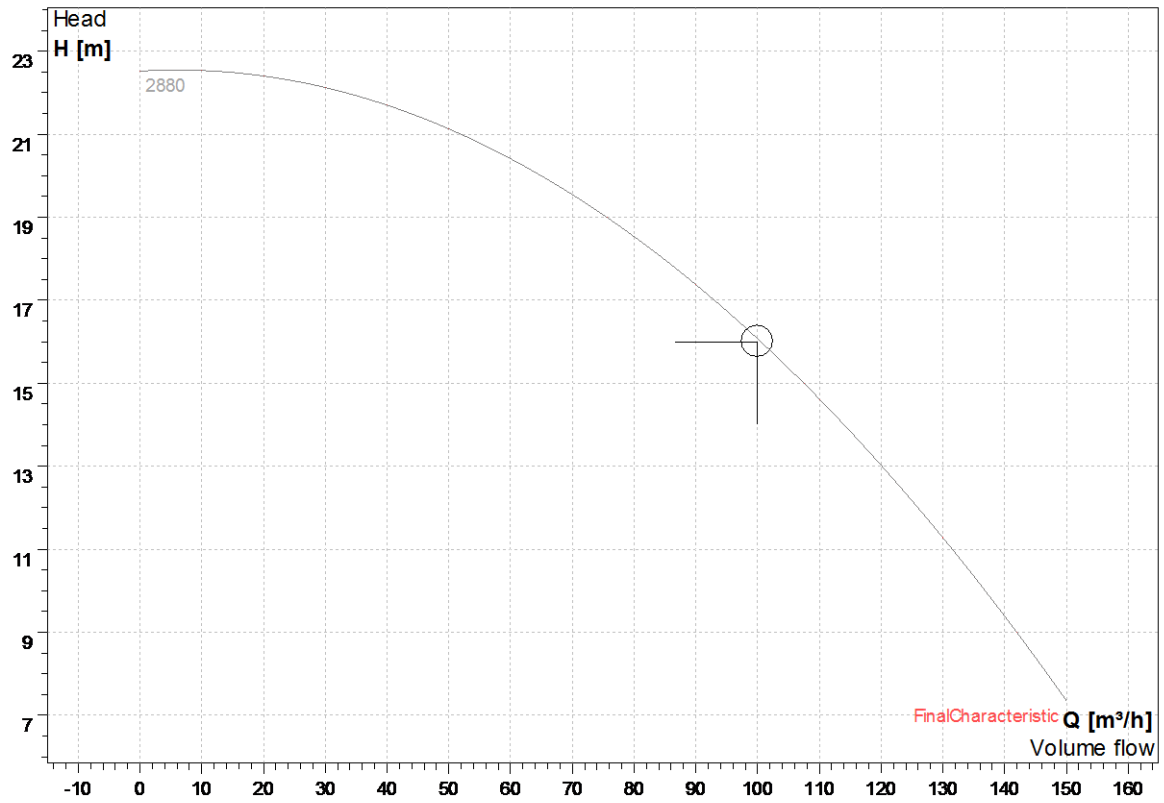
| Pump Efficiency @ different Head | | | | |
|----------------------------------|-----------------|----------------------|------|---------------------|
| | Head (Mtrs) | Flow Rate | | Pump Efficiency (%) |
| | | (m ³ /hr) | LPM | |
| 1 | 16 (Duty Point) | 100 | 1667 | 85 |
| 2 | 14.40 (-10%) | 111.4 | 1850 | 79 |
| 3 | 20.00 (+25%) | 64.9 | 1067 | 74 |

Conceptual Design of Impeller

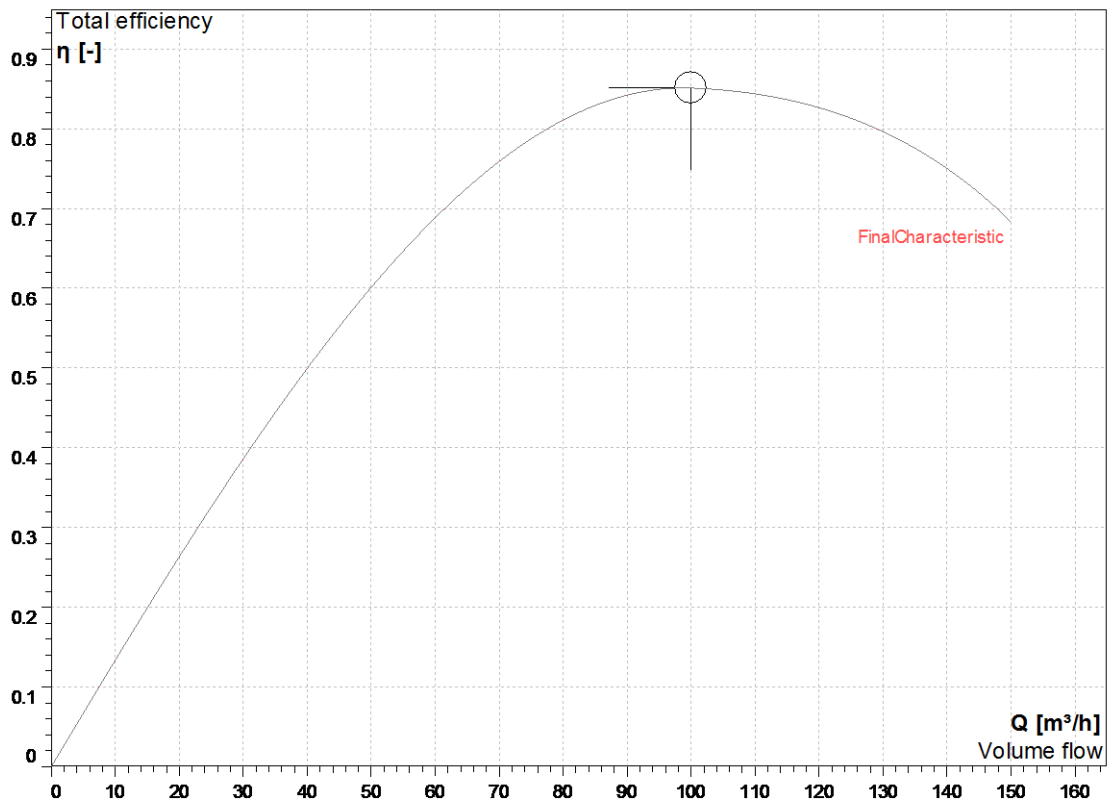


PERFORMANCE GRAPHS

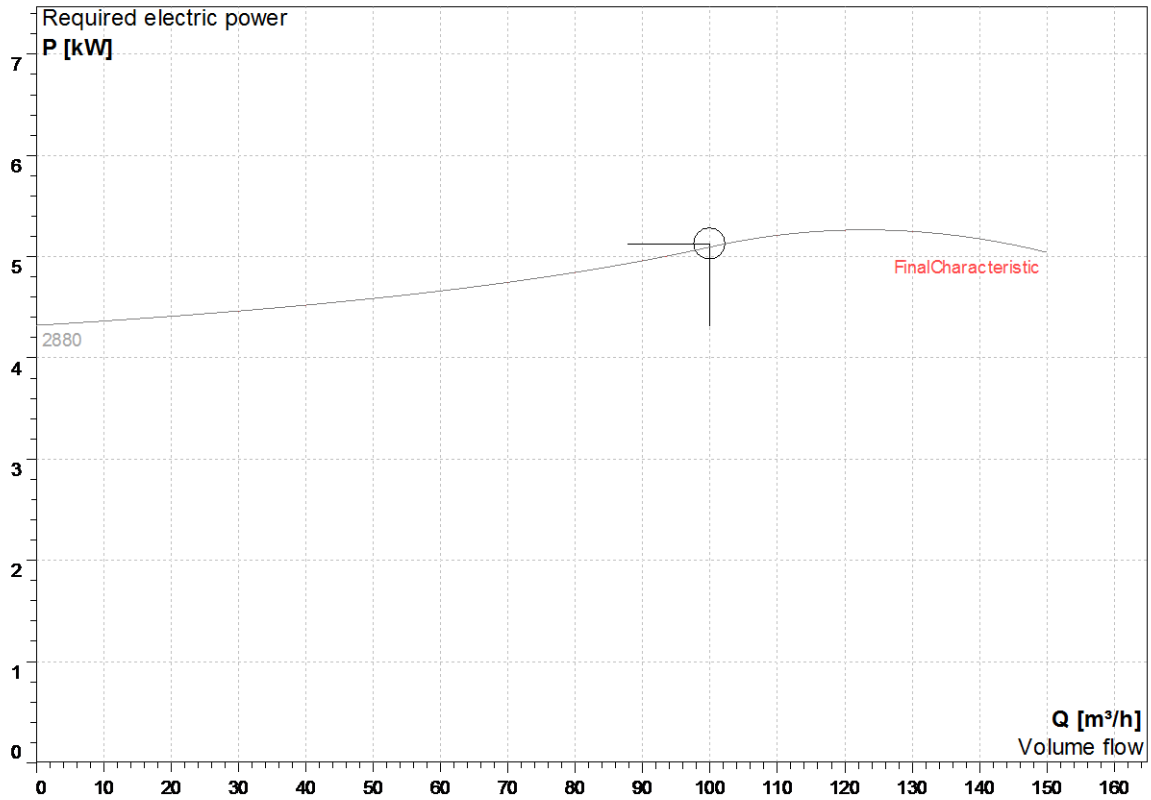
1. Volume Flow vs. Head



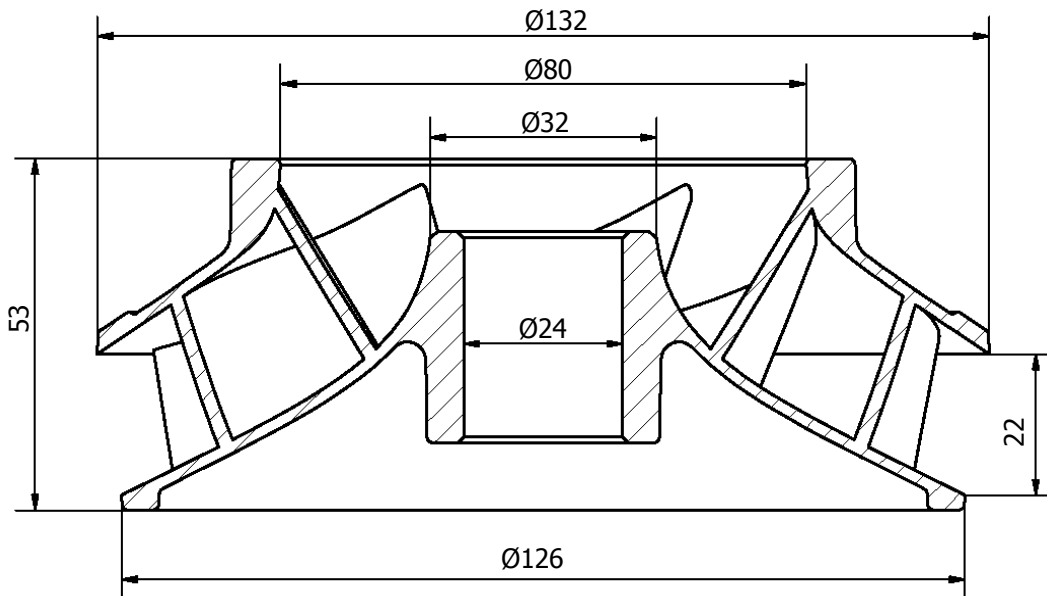
2. Volume Flow vs. Total Efficiency



3. Volume Flow vs. Required Driving Power



OVERALL DIMENSIONS (Not to Scale)



Note: All Dimensions are in mm.

For Your query related to this product please write us on microcare25@microcaregroup.com

Or fill up the Inquiry form given on our website. [Click here to open Inquiry page](#)