

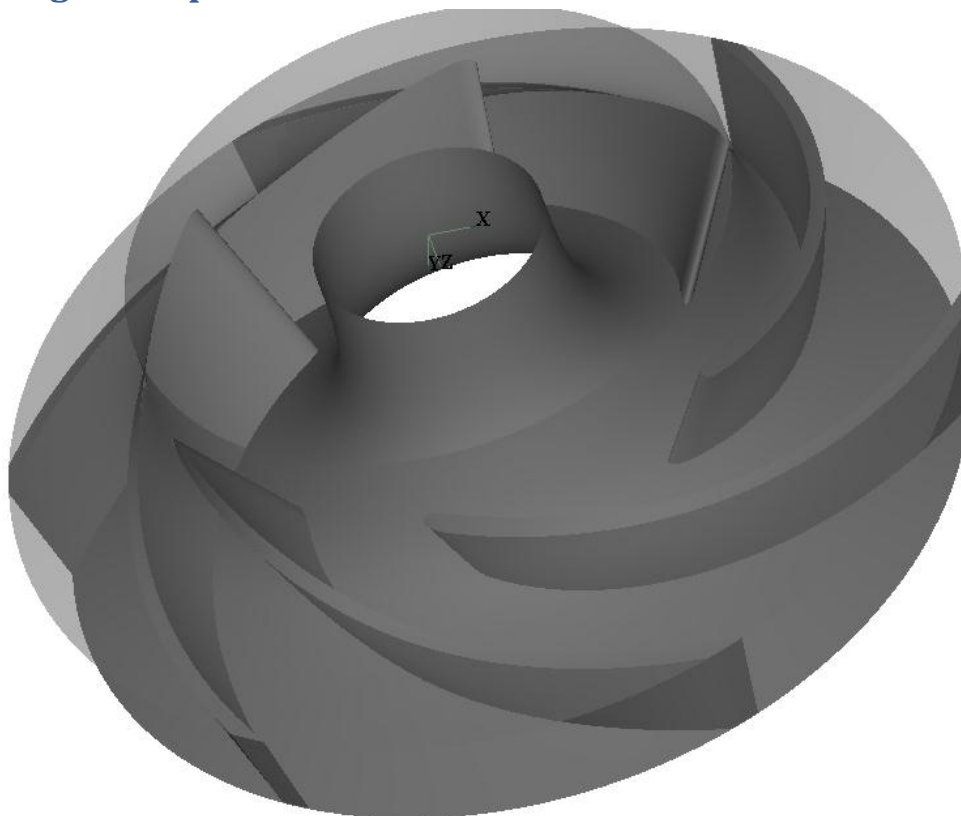
# DETAILED BROCHURE - MM084C016

## Technical Parameters

Model No	MM084C016
Type of flow	Mixed flow
Borewell Size	8"
Flow Rate	76 m <sup>3</sup> /hr ( 1267 LPM)
Head / Stage	16 Mtrs
Shut off Head	21.5 Mtrs
Power driven by pump / stage	4.3 KW (5.76 HP )
Pump Efficiency	84 %
Rated RPM	2880 @ 50 Hz
No. of Blades	6 (CCW)
Production Method	Investment Casting
Compatible Bowl Model No.	MMB084C16

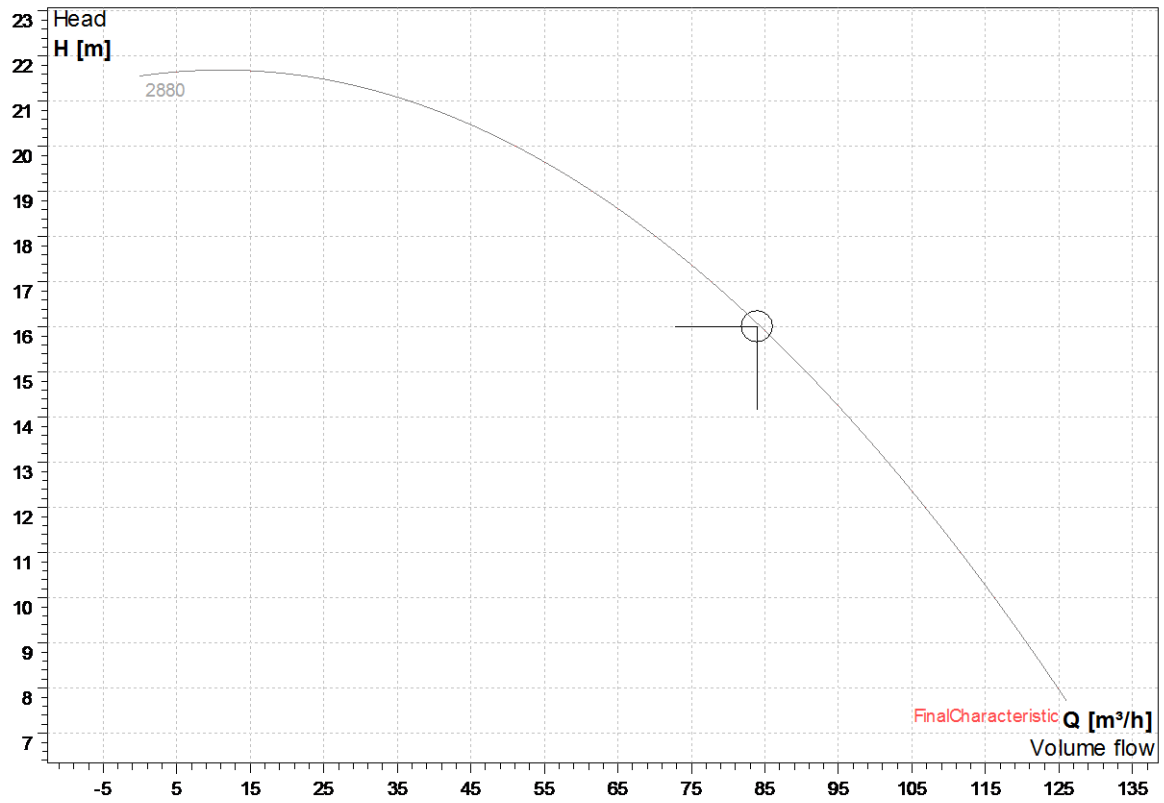
Pump Efficiency @ different Head				
	Head (Mtrs)	Flow Rate		Pump Efficiency (%)
		(m <sup>3</sup> /hr)	LPM	
<b>1</b>	16 (Duty Point)	76	1267	84
<b>2</b>	14.40 (-10%)	94.1	1568	79
<b>3</b>	20.00 (+25%)	51.1	850	71

## Conceptual Design of Impeller

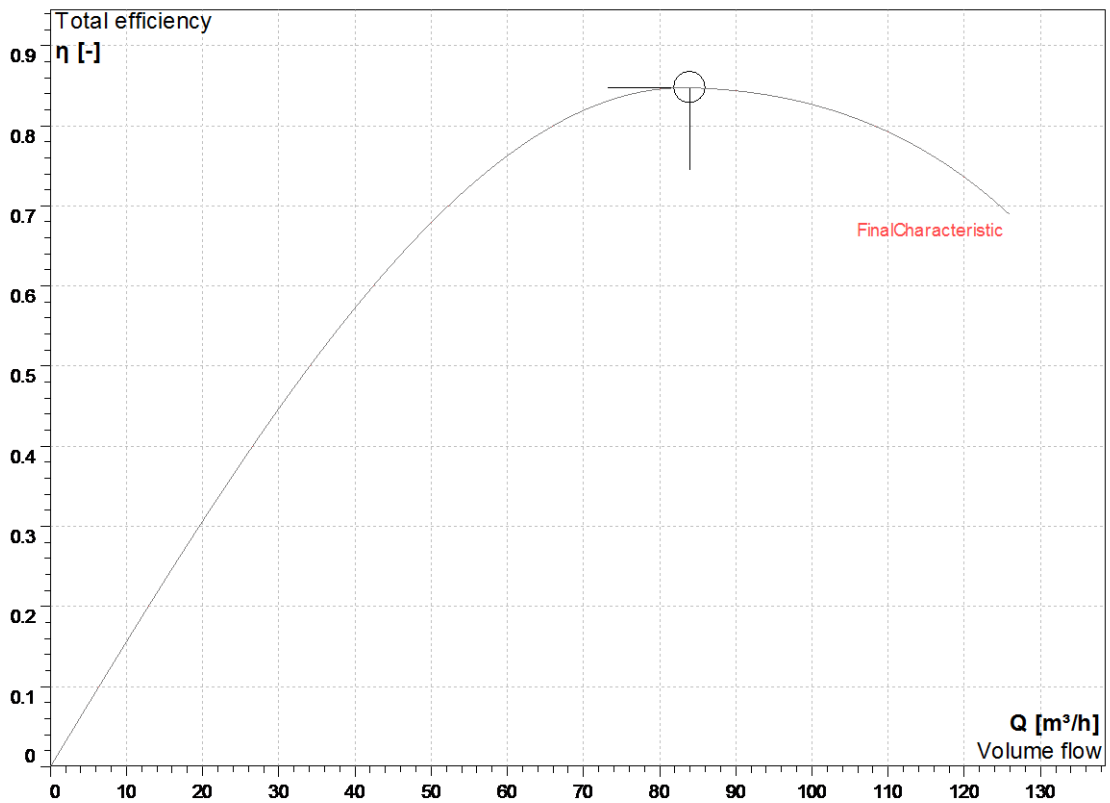


## PERFORMANCE GRAPHS

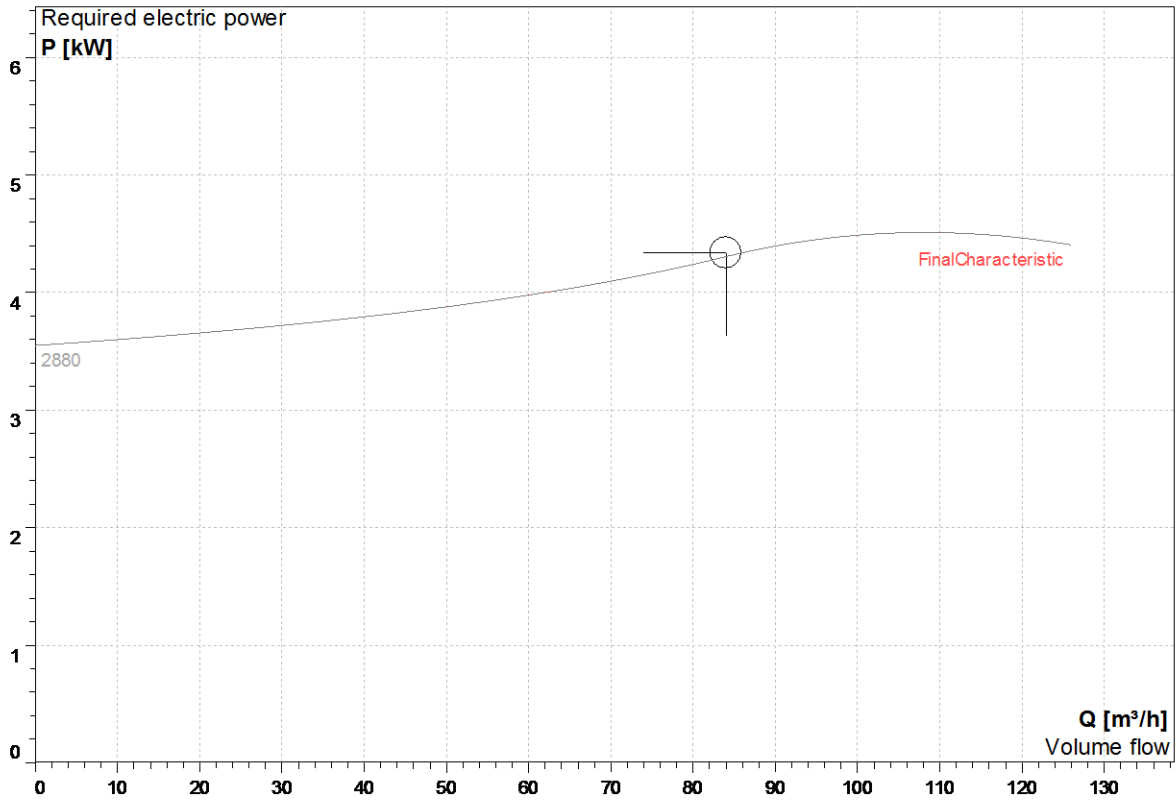
### 1. Volume Flow vs. Head



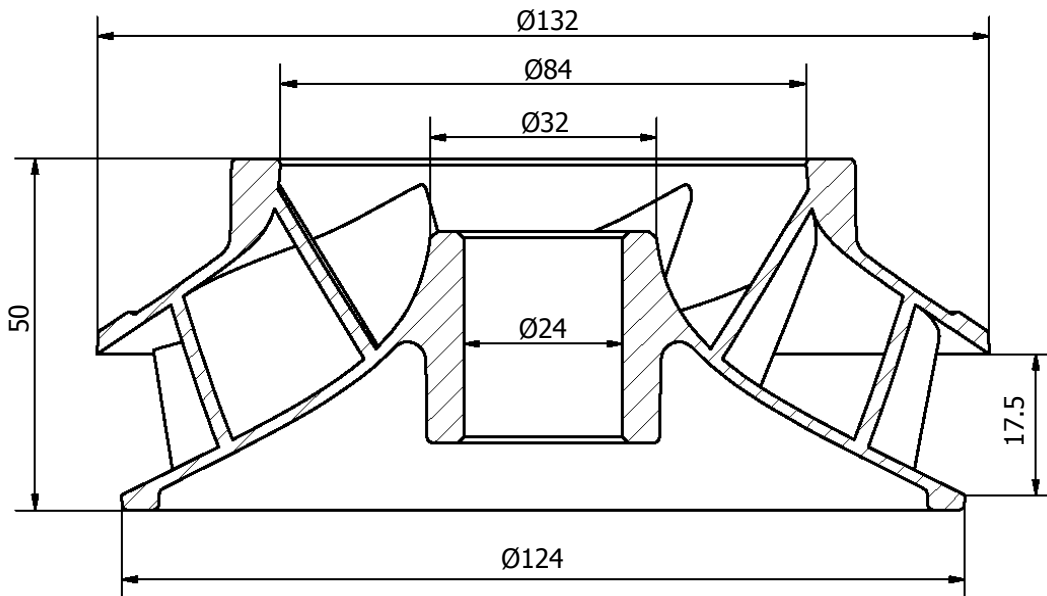
### 2. Volume Flow vs. Total Efficiency



### 3. Volume Flow vs. Required Driving Power



### OVERALL DIMENSIONS (Not to Scale)



**Note:** All Dimensions are in mm.

For Your query related to this product please write us on [microcare25@microcaregroup.com](mailto:microcare25@microcaregroup.com)

Or fill up the Inquiry form given on our website. [Click here to open Inquiry page](#)