

4 3 2 1

H H

G G

F F

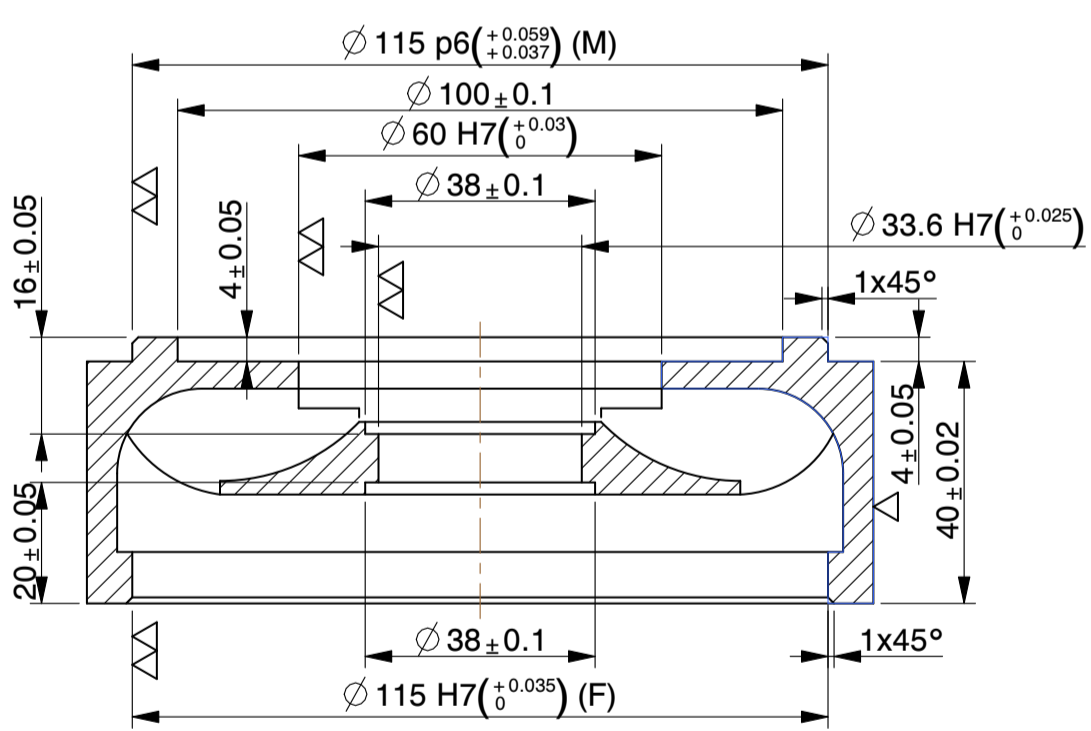
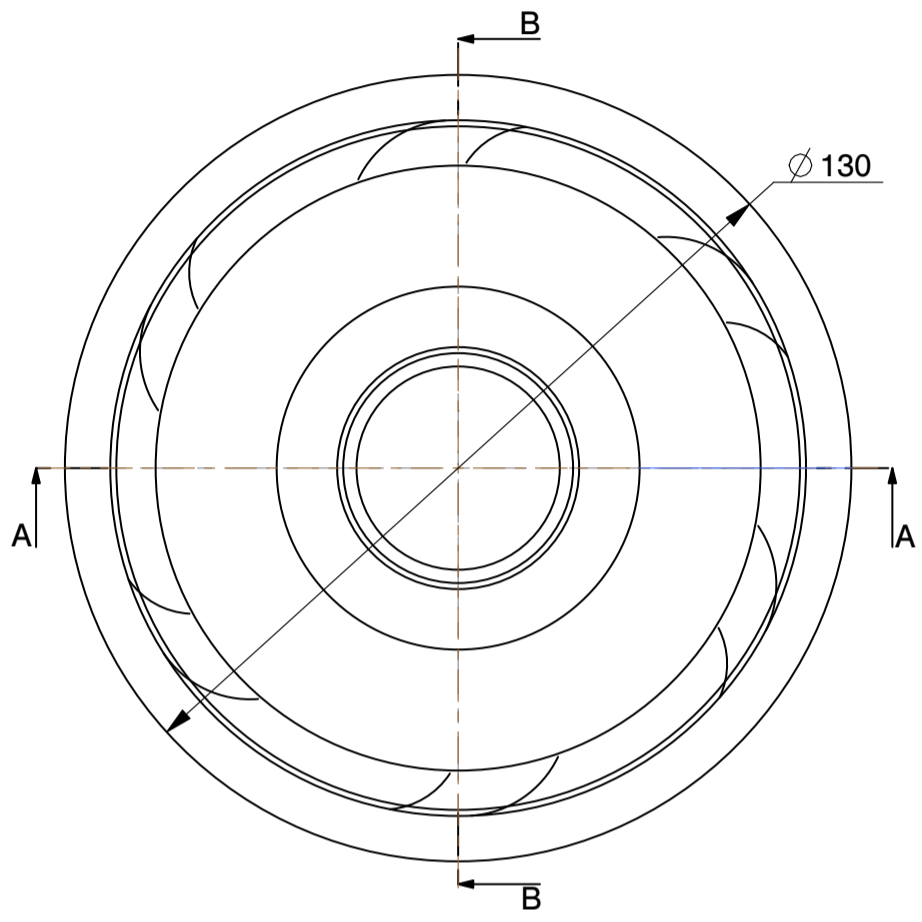
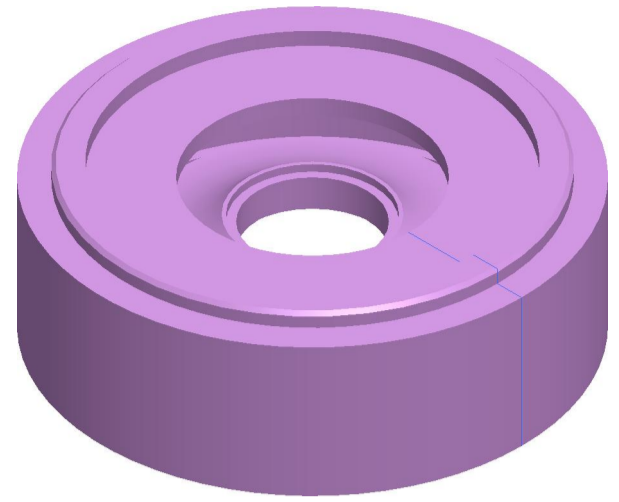
E E

D D

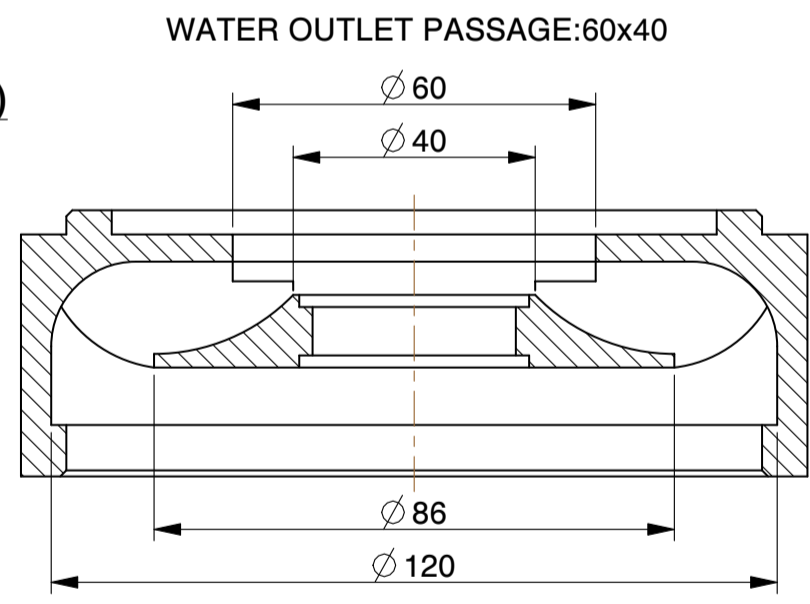
C C

B B

A A



SECTION A-A



WATER INLET PASSAGE: 120x86
SECTION B-B

WATER INLET PASSAGE:	120 x 86
WATER OUTLET PASSAGE:	60 x 40

- NOTE:-
- 1).ALL DIMENSIONS AR IN mm.
 - 2).DO NOT SCALE,IF ANY DOUBT PLEASE ASK.
 - 3).ALL DIMENSIONS ARE AS MACHINED.

MICROCARE TECHNIQUES P. LTD.		
<i>Survey No.11,Nr. Kalpataru Society, Village : Zundal.</i>		
<i>Dist. :Gandhinagar-382421, Gujarat, INDIA. email: microcare25@microcaregroup.com</i>		
PART NAME:		SCALE
BOWL - K40		1:1
MATERIAL:	DESCRIPTION:	DATE
CAST IRON	-	17-05-2011