

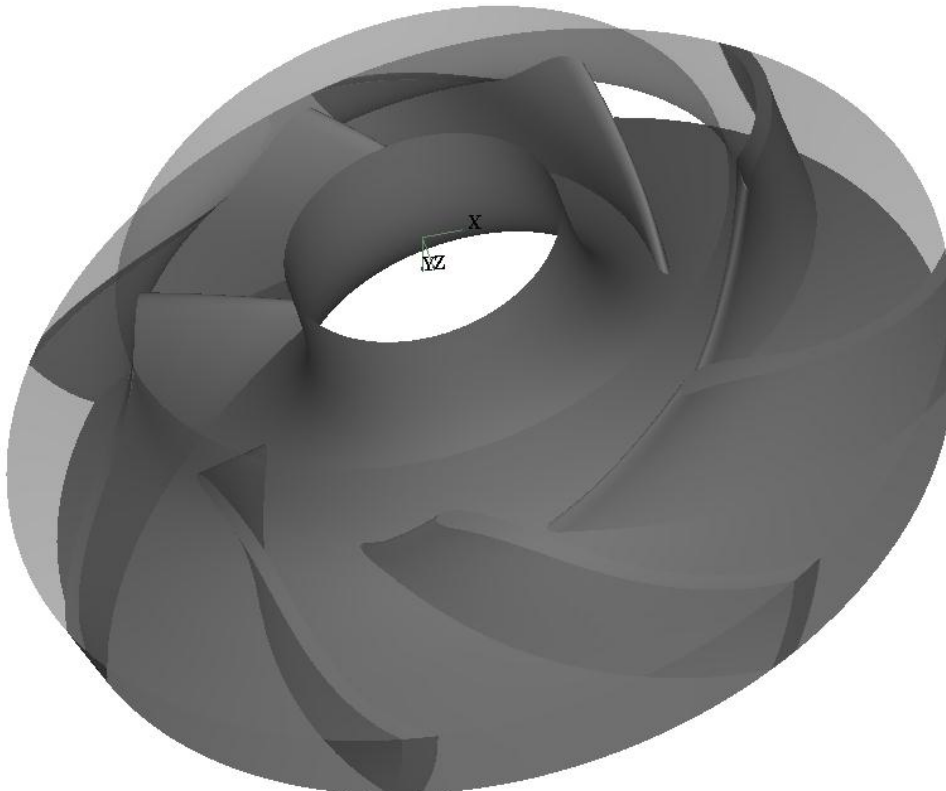
DETAILED BROCHURE - MM024B08

Technical Parameters

Model No	MM024B08
Type of flow	Mixed flow
Borewell Size	6"
Flow Rate	24 m ³ /hr (400 LPM)
Head / Stage	8 Mtrs
Shut off Head	12 Mtrs
Power driven by pump / stage	0.66 KW (0.88 HP)
Pump Efficiency	79 %
Rated RPM	2880 @ 50 Hz
No. of Blades	6 (CCW)
Production Method	Investment Casting
Compatible Bowl Model No.	MMB030B08

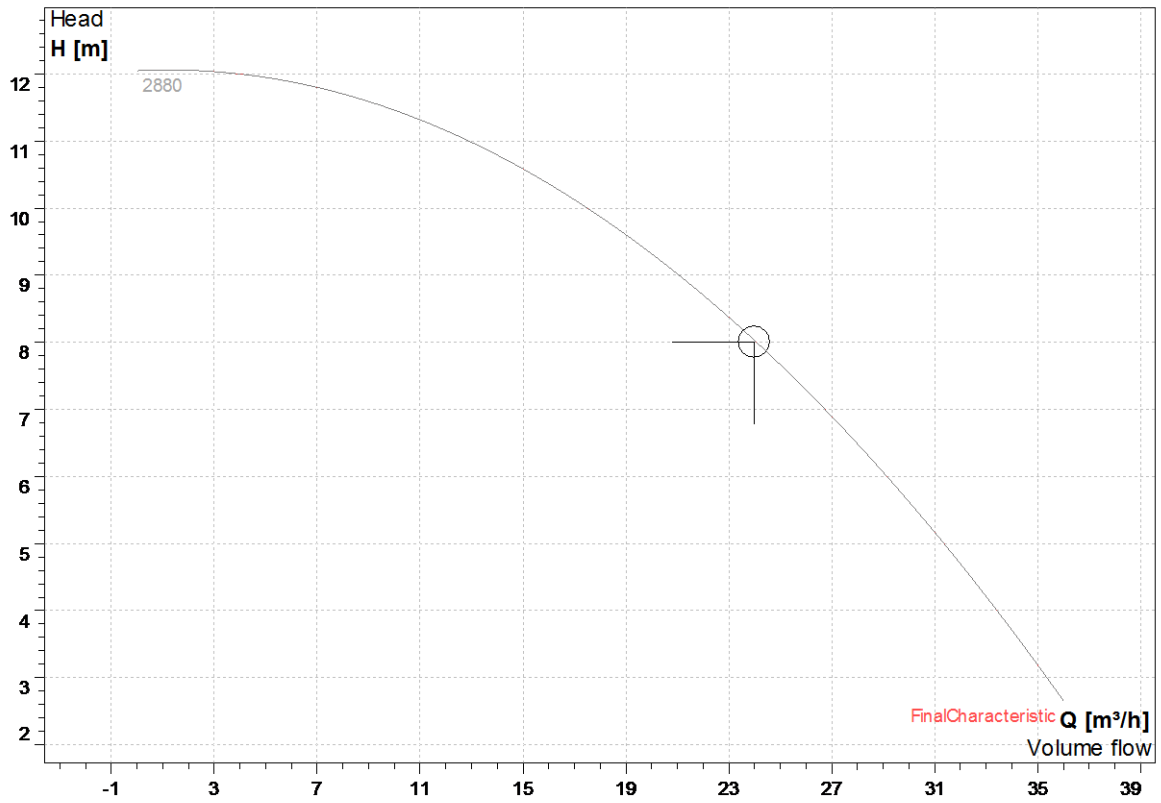
Pump Efficiency @ different Head				
	Head (Mtrs)	Flow Rate		Pump Efficiency (%)
		(m ³ /hr)	LPM	
1	8 (Duty Point)	24	400	79
2	7.20 (-10%)	28.36	467	75
3	10.00 (+25%)	18.96	316	75

Conceptual Design of Impeller

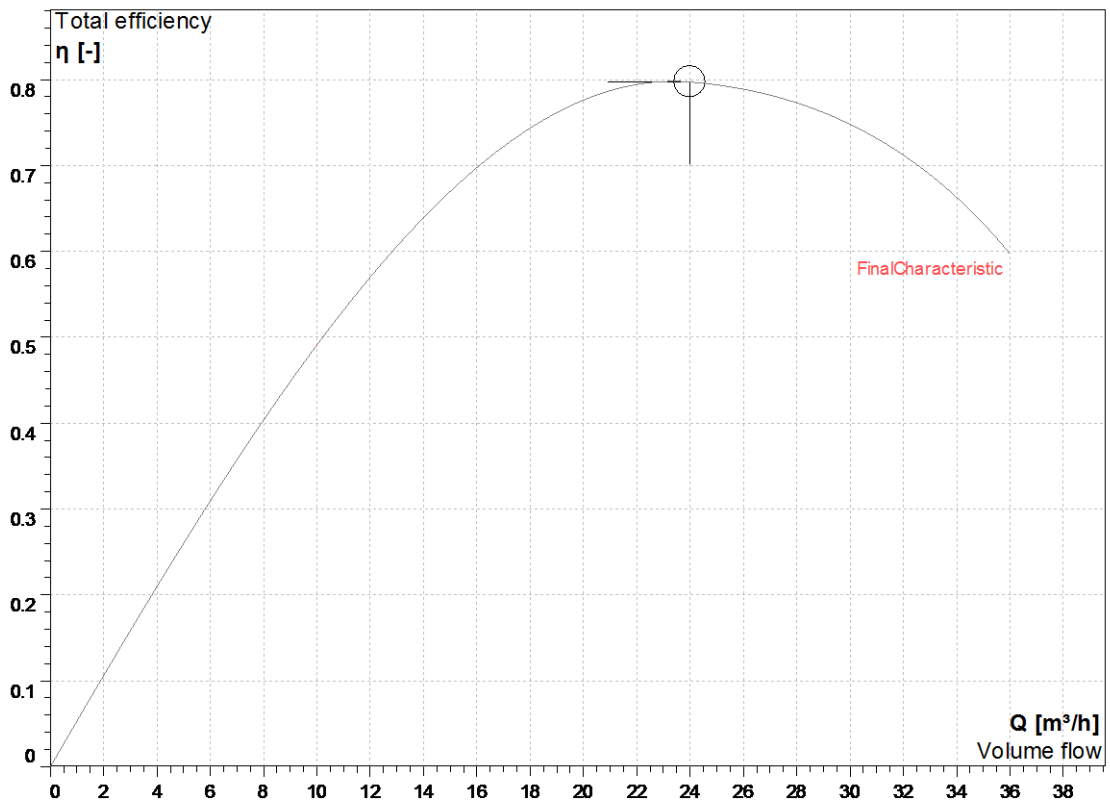


PERFORMANCE GRAPHS

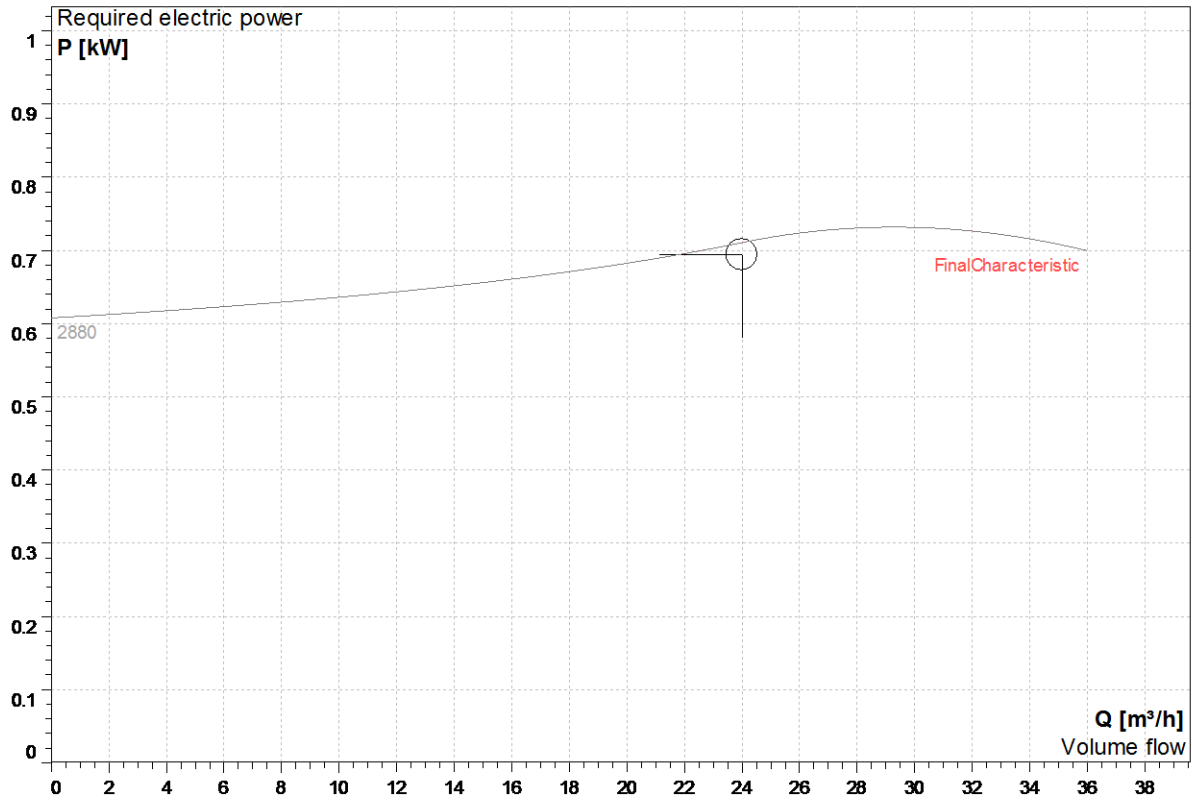
1. Volume Flow vs. Head



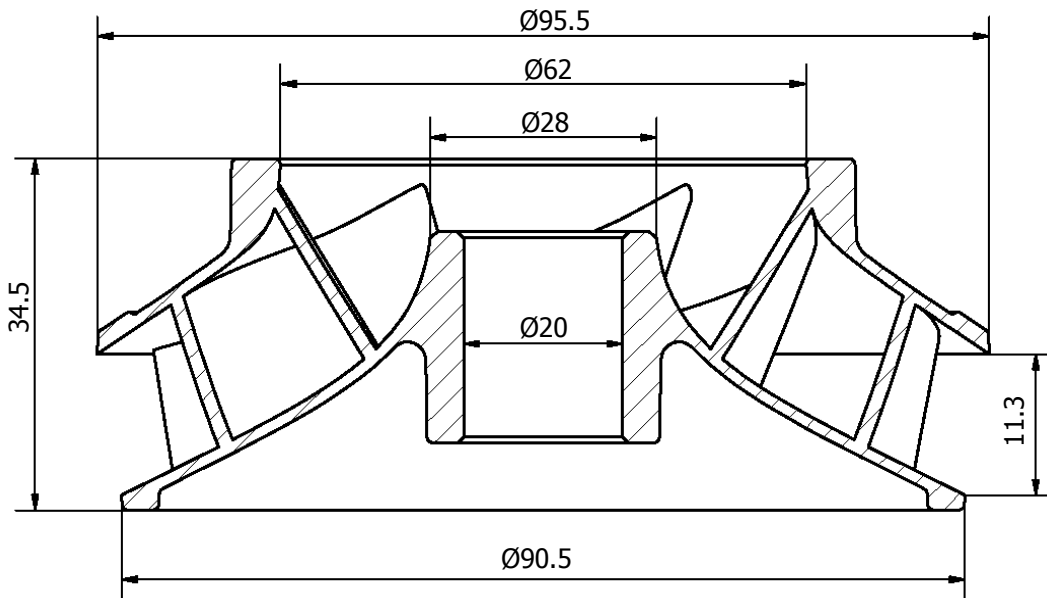
2. Volume Flow vs. Total Efficiency



3. Volume Flow vs. Required Driving Power



OVERALL DIMENSIONS (Not to Scale)



Note: All Dimensions are in mm.

For Your query related to this product please write us on microcare25@microcaregroup.com

Or fill up the Inquiry form given on our website. [Click here to open Inquiry page](#)